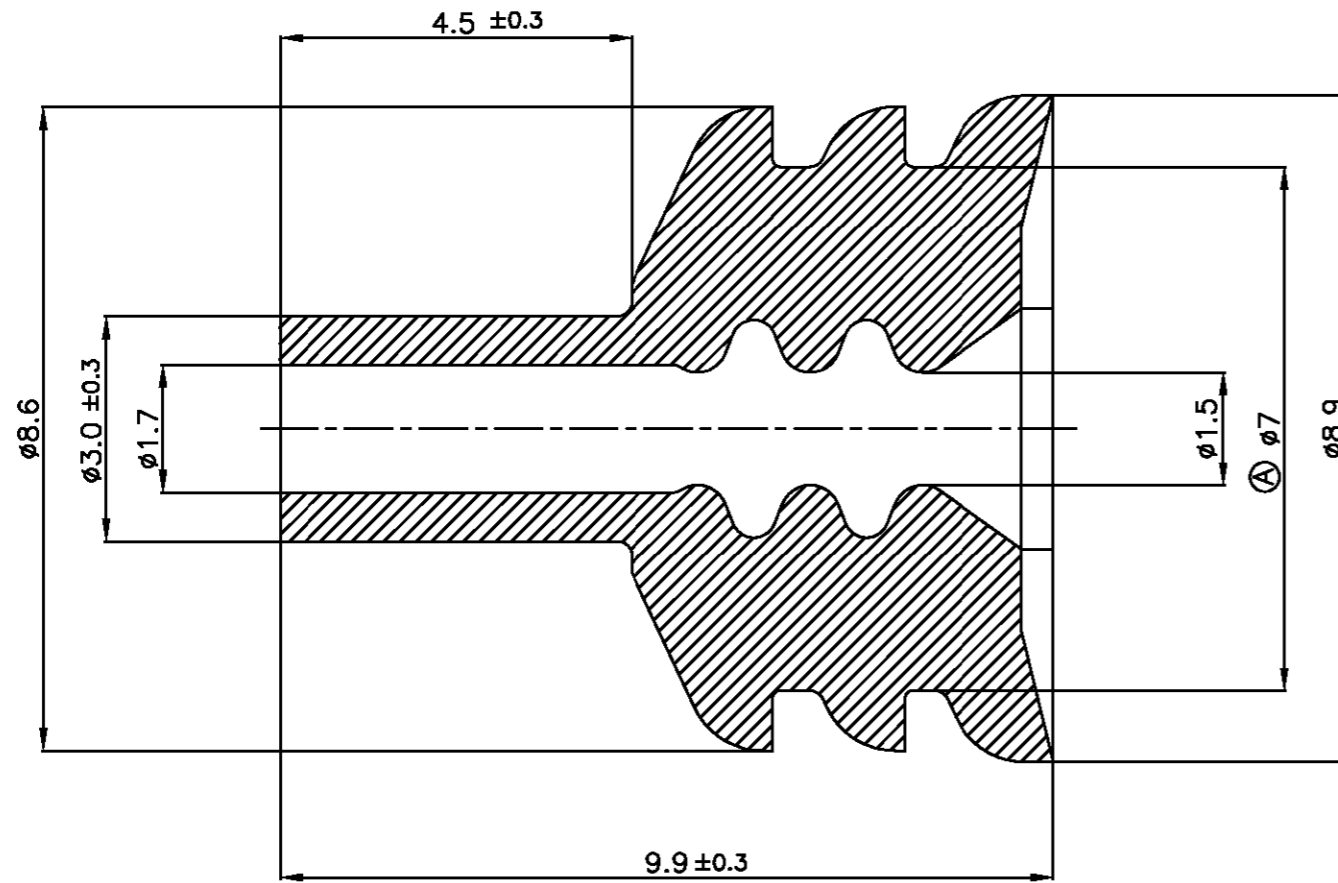
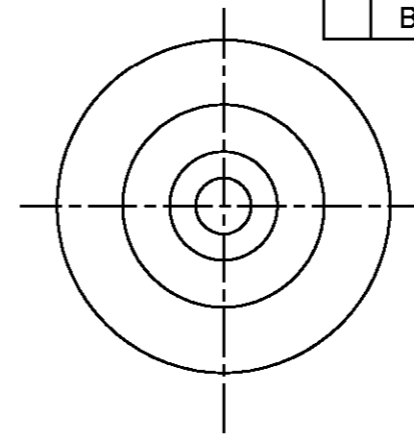
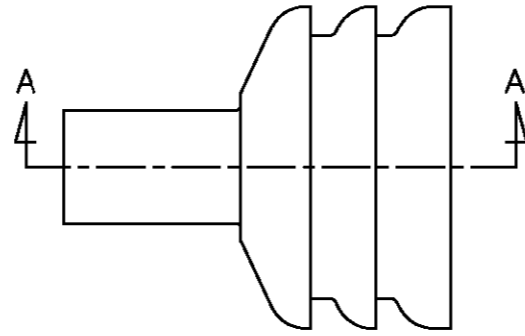
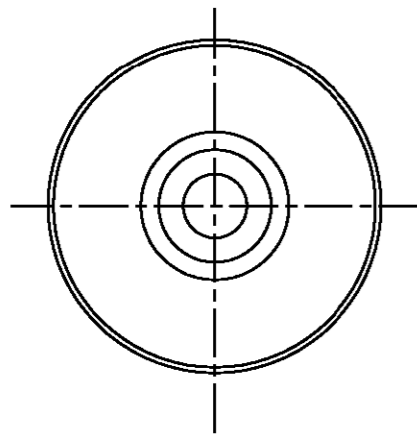


P	LTR	DESCRIPTION	DATE	DWN	APVD
0		RELEASED(RD96-394)	18/DEC '96	YD	JK
A		REVISED(FC00-0100-00)	28/JULY '00	YD	CS
B		REVISED(FC00-0129-02)	17/OCT '02	YD	CS



NOTE :

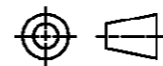
- | PART NO | COLOR |
|----------|-------|
| 368811-1 | GRAY |
- HARDNESS : 50[±] 5[°] ⓑ
- INSULATION DIA : φ 1.8 - 2.1 mm

THIS DRAWING IS A CONTROLLED DOCUMENT FOR AMP INCORPORATED. IT IS SUBJECT TO CHANGE AND THE CONTROLLING ENGINEERING ORGANIZATION SHOULD BE CONTACTED FOR THE LATEST REVISION.

DIMENSIONS: MM

TOLERANCES UNLESS OTHERWISE SPECIFIED:

0<XX<10 ± 0.2
 10<XX<30 ± 0.25
 30<XX<100 ± 0.3
 ANGLES ± 3°



3rd ANGLE PROJECTION

MATERIAL

NBR

FINISH

DWN

CHK

APVD

PRODUCT SPEC

APPLICATION SPEC

WEIGHT



AMP KOREA, kyungsan, korea

NAME: 250 WIRE SEAL PLUG (AVSS 0.85-1.25 mm²)

SIZE: A3 CAGE CODE: 00779 DRAWING NO: 368811

SCALE 5/1 SHEET 1 OF 1 REV B