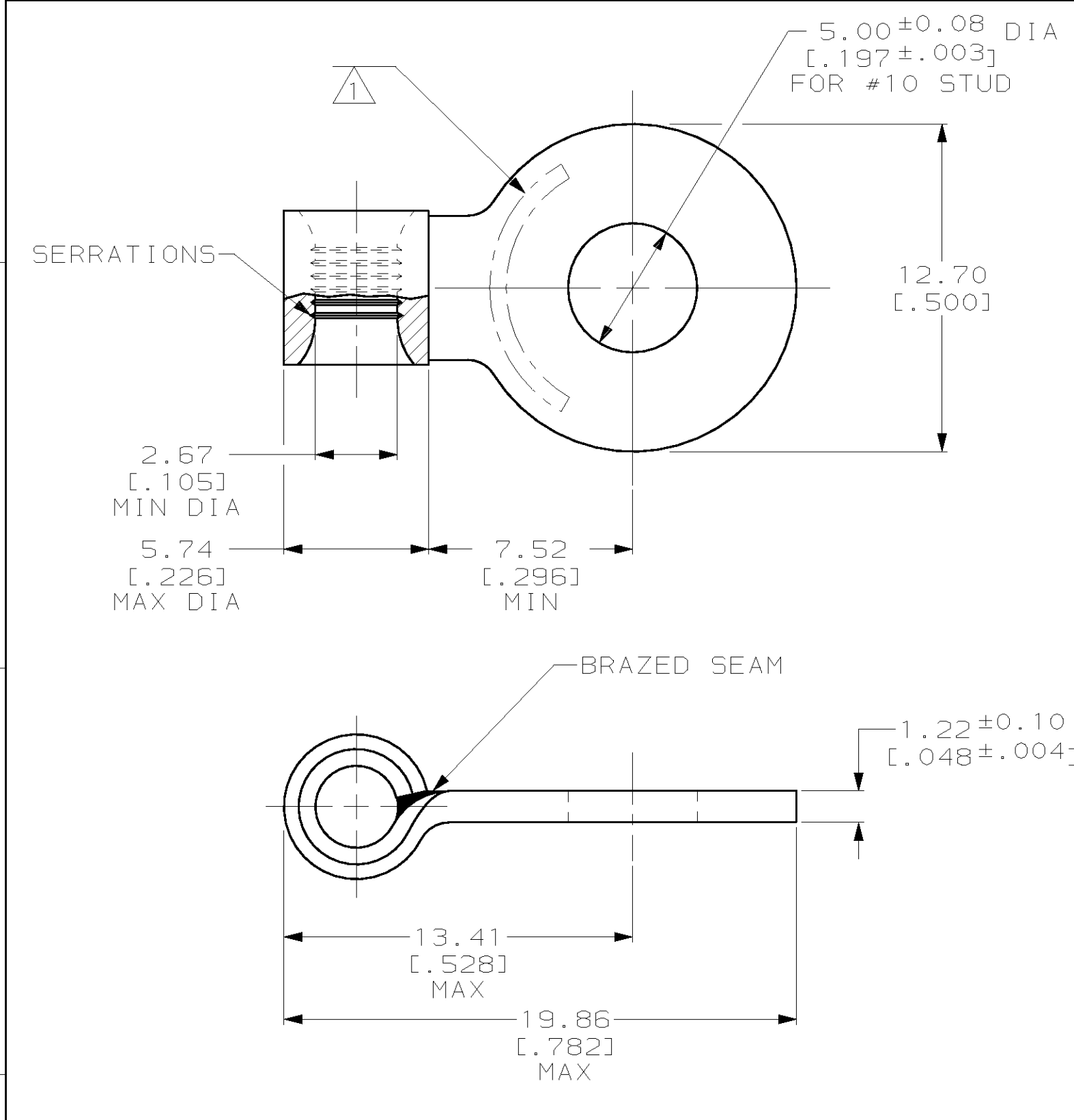


THIS DRAWING IS UNPUBLISHED. RELEASED FOR PUBLICATION ,19 .
 © COPYRIGHT 19 BY AMP INCORPORATED. ALL RIGHTS RESERVED.

LOC	DIST	REVISIONS			
P	LTR	DESCRIPTION	DATE	DWN	APVD
G	14	B	REVISED PER 0L20-0185-97	16DEC97	DKS SHB



AMP WIRE RANGE	UL E13288 Listed
16-14HD AWG SOLID OR STRANDED	NOT LISTED
SF LR7189 Certified	MILITARY P/N AND CLASS
NOT CERTIFIED	NOT APPLICABLE

① STAMP AMP 16-14HD* APPROX AS SHOWN

36865
AMP
PART NUMBER

AMP INCORPORATED
CUSTOMER SERVICE SYSTEMS

FOR ADDITIONAL PRODUCT INFORMATION OR COPIES OF DRAWINGS AND TECHNICAL DOCUMENTS: PRODUCT INFORMATION CENTER 1-800-522-6752

FOR APPLICATION TOOLING INFORMATION: TOOLING ASSISTANCE CENTER 1-800-722-1111

FOR ORDER ENTRY: 1-800-526-5142

RECOMMENDED OPERATING TEMPERATURE: 170°C MAX

VOLTAGE RATING: NOT APPLICABLE

WIRE CROSS SECTIONAL AREA RANGE: 1.04-2.62mm² [2,050-5,180] CIR MILS SOLID OR STRANDED

THIS DRAWING IS A CONTROLLED DOCUMENT FOR AMP INCORPORATED. IT IS SUBJECT TO CHANGE AND THE CONTROLLING ENGINEERING ORGANIZATION SHOULD BE CONTACTED FOR THE LATEST REVISION.

DIMENSIONS:	TOLERANCES UNLESS OTHERWISE SPECIFIED:
mm [INCHES]	
0 PLC	±-
1 PLC	±-
2 PLC	±0.20 [.008]
3 PLC	±-
4 PLC	±-
ANGLES	±-

MATERIAL: COPPER PER ASTM B-152 ANNEALED

FINISH: TIN PLATE 0.00254 [.000100] MIN THK PER ASTM B-545

DWN: DK SCHRUM 15DEC97	AMP AMP Incorporated Harrisburg, PA 17105-3608
CHK: MJ SPICER 16DEC97	
APVD: JL MECKLEY 16DEC97	
PRODUCT SPEC: -	
APPLICATION SPEC: -	NAME: TERMINAL, RING TONGUE, FLAG, SOLISTRAND™
WEIGHT: -	SIZE: A3 CAGE CODE: 00779 DRAWING NO: C-36865
CUSTOMER DRAWING	SCALE: 5:1 SHEET: 1 OF 1 REV: B