

THIS DRAWING IS UNPUBLISHED.

RELEASED FOR PUBLICATION

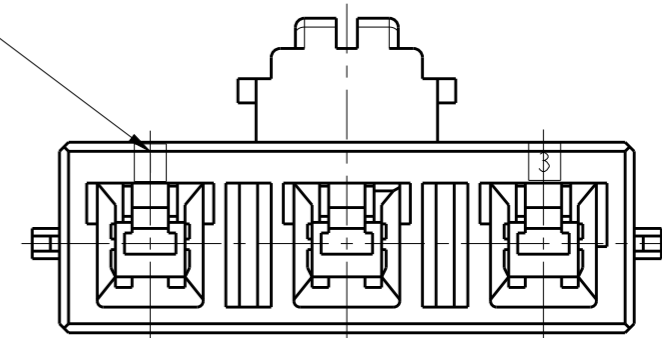
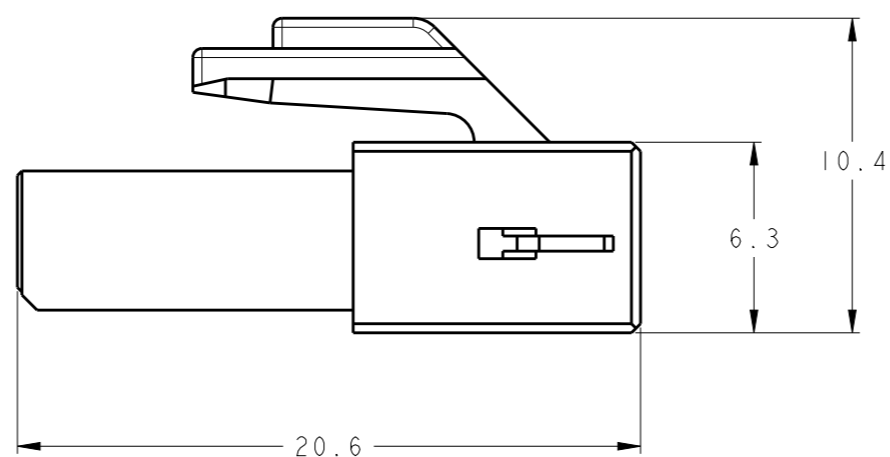
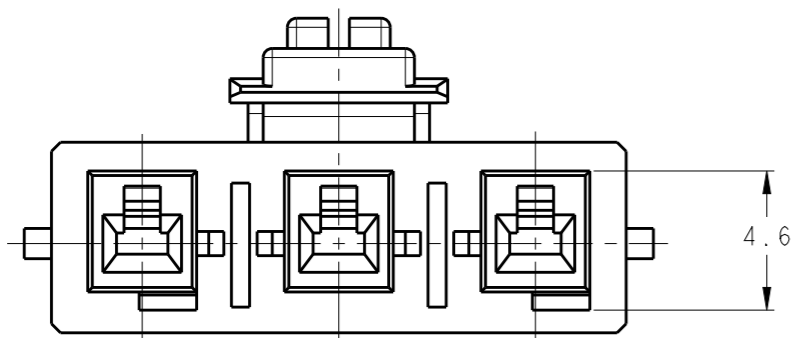
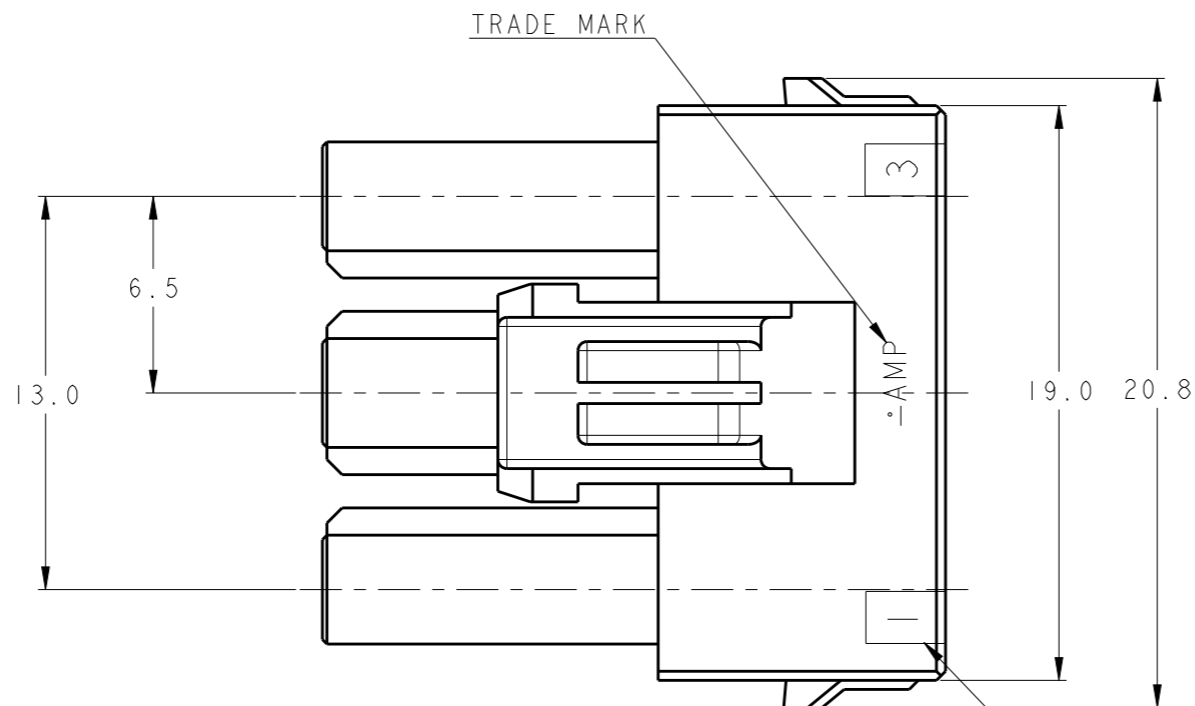
20

© COPYRIGHT 20 BY -

ALL RIGHTS RESERVED.

REVISIONS

P	LTR	DESCRIPTION	DATE	DWN	APVD
	A	RELEASED	14MAR'07	SC	JK
	B	REVISED PER ECR-09-011788	25MAY'09	SC	JK
	C	REVISED PER ECR-19-009721	01JUL2019	M.G	D.Z



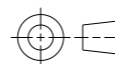
368570-9	BLACK
368570-6	BLUE
368570-4	YELLOW
368570-2	RED
368570-1	NATURAL
P/N	COLOR

NOTE;

- THIS HOUSING ACCEPTS RECEPTACLE TERMINAL:  
- REC CONTACT: 177915-□ (AWG#16-#20)  
: 177914-□ (AWG#22-#26)
- MATING CONN. P/N  
- PC BOARD MOUNT(HEADER ASS'Y): 179846-□
- APPLICABLE DOUBLE LOCK PLATE: 316062-1  
\*IT SHOULD BE USED CERTAINLY WHEN CABLE ASS'Y
- GENERAL TOLERANCES: ±0.3
- MATERIAL: PA66, UL 94V-0  
COMPLY WITH GLOW WIRE REQUIREMENT FOR PARTS OF  
NON-METALLIC MATERIALSUPPORTING A CURRENT-CARRYING  
CONNECTION DETAILED IN IEC 60335-1, SECTION 30(GWT)

THIS DRAWING IS A CONTROLLED DOCUMENT.

DIMENSIONS:  
mm



TOLERANCES UNLESS OTHERWISE SPECIFIED:

- 0 PLC ±-
- 1 PLC ±-
- 2 PLC ±-
- 3 PLC ±-
- 4 PLC ±-
- ANGLES ±-

MATERIAL



FINISH

DWN  
SC KIM  
CHK  
BW KANG  
APVD  
JK SONG

PRODUCT SPEC  
108-5140  
APPLICATION SPEC  
114-5175  
WEIGHT  
-

CUSTOMER DRAWING



TE Connectivity

NAME  
PDL 3P PLUG HSG 6.5mm (GWT)

SIZE	CAGE CODE	DRAWING NO	RESTRICTED TO
A3	00779	368570	-

SCALE 4:1 SHEET 1 OF 1 REV C