

THIS DRAWING IS UNPUBLISHED.

RELEASED FOR PUBLICATION

,1997 .

© COPYRIGHT 1997

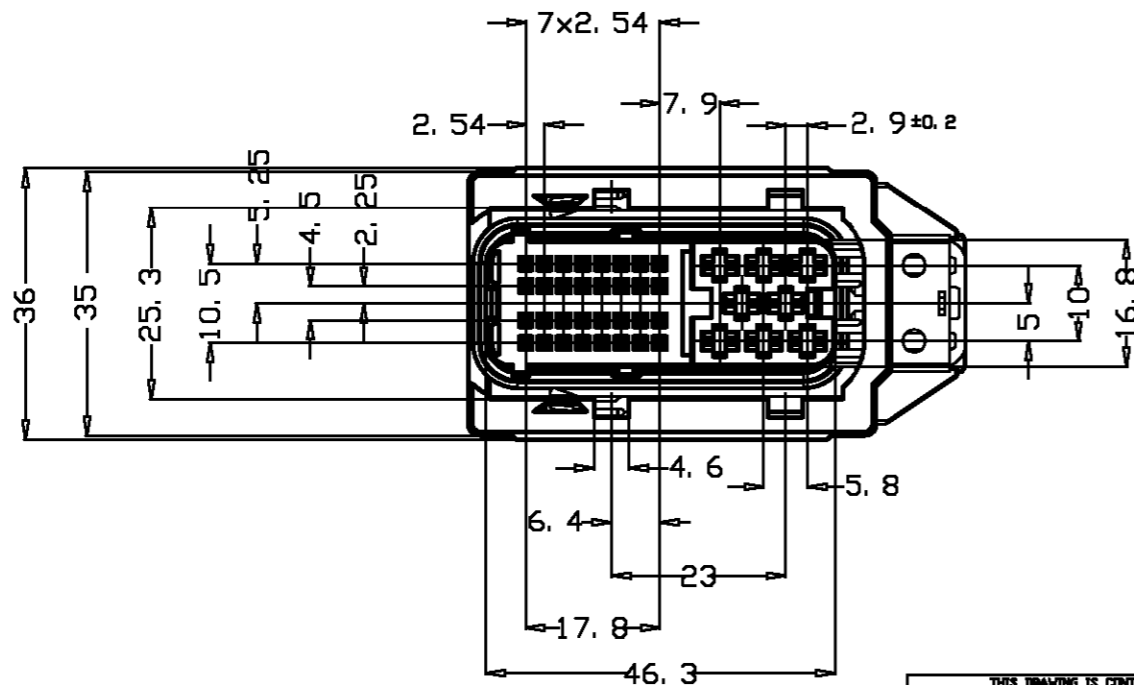
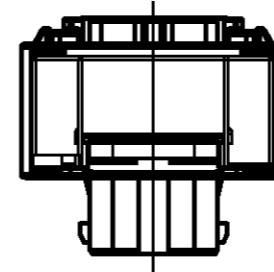
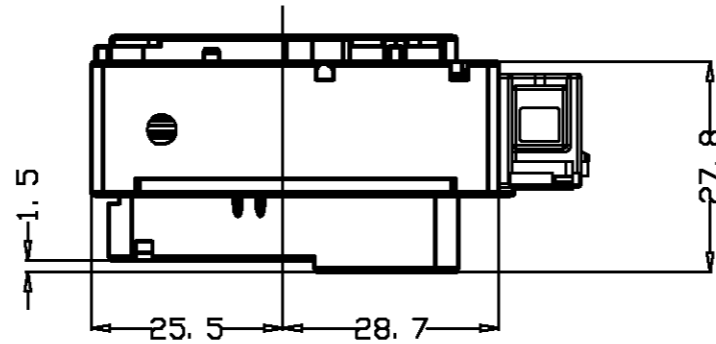
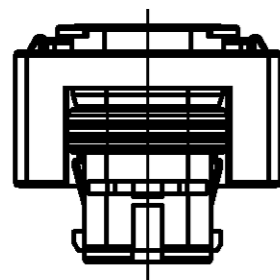
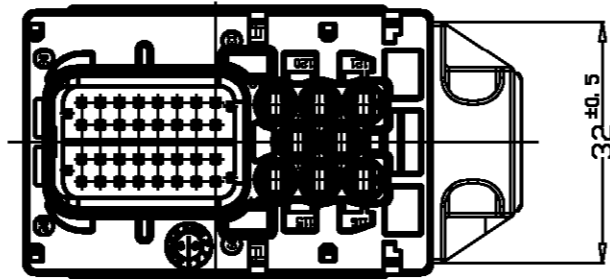
BY AMP INCORPORATED. ALL RIGHTS RESERVED.

LOC
DS

DIST

REVISIONS

P	LTR	DESCRIPTION	DATE	DWN	APVD
□		RELEASE ECN(FC00-0065-00)	29/MAY/'00	JW	CS
A		REVISE (ECR-05-002795)	08/MAY/'05	YH	CS



NOTE

1. APPLICABLE REC CONTACT P/N;

PART NO.	DESCRIPTION	WIRE SIZE(mm ²)
927768-3	JUNIOR POWER TIMER REC TML	0.5 - 1.0
927771-3	JUNIOR POWER TIMER REC TML	1.0 - 2.5
928999-1	MICRO QUADLOK SYSTEM REC TML (SOCKET CONTACT)	0.2 - 0.5
963715-1	MICRO QUADLOK SYSTEM REC TML (SOCKET CONTACT)	0.75

- 2. APPLICABLE COVER HSG P/N; 368320-1
- 3. APPLICABLE RETAINER HSG(MQS) P/N; 368326-1
- 4. APPLICABLE HEADER ASSY P/N; 368255-1

NO	REV	DESCRIPTION	MATERIAL	COLOR	Q'TY PER ASS'Y
4	A	RUBBER SEAL FOR 40Pos.	SILICON	ORANGE	1
3	A	RETAINER HOUSING FRD 8Pos.	ⓅPBT+GF15	YELLOW	1
2	B	SLIDE LEVER HOUSING FOR 40Pos.	PA66+GF30	BLACK	1
1	□	JPT&MQS FOR 40P HSG	PBT+GF20	BLACK	1

THIS DRAWING IS CONTROLLED DOCUMENT FOR AMP INCORPORATED. IT IS SUBJECT TO CHANGE AND THE CONTROLLING ENGINEERING ORGANIZATION SHOULD BE CONTACTED FOR THE LATEST REVISION.		DWN	AMP AMP KOREA. kyungsan, korea			
DIMENSIONS: MM		CHK				
TOLERANCES UNLESS OTHERWISE SPECIFIED: 0 <XX<10 ± 0.2 10 <XX<30 ± 0.25 30 <XX ± 0.3 ANGLES ± 3°		APVD	NAME ASS'Y CONNECTOR FOR JPT&MQS 40Pos.			
3rd ANGLE PROJECTION		PRODUCT SPEC	SIZE	CAGE CODE	DRAWING NO	
MATERIAL		APPLICATION SPEC	A3	00779	C- 368319	
SEE TABLE		WEIGHT	CUSTOMER DRAWING			
SEE TABLE		FINISH	SCALE	SHEET	REV	
			1/1	1 OF 1	A	