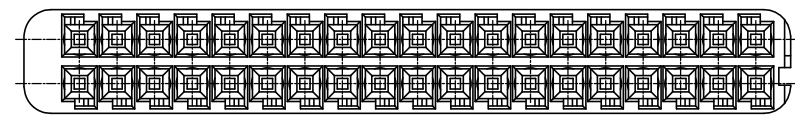
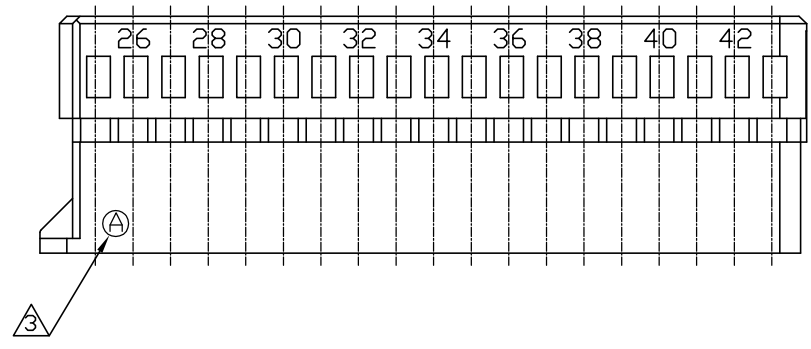
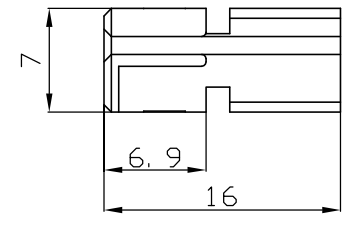
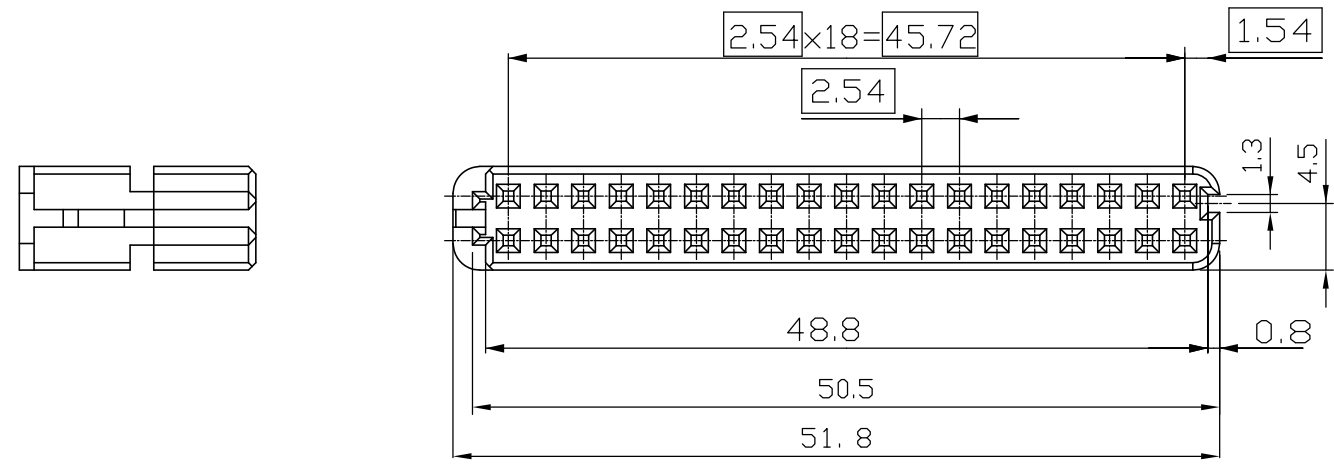
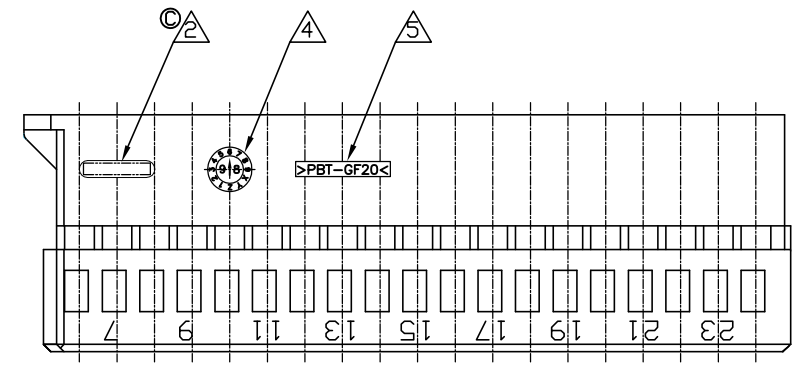


THIS DRAWING IS UNPUBLISHED. RELEASED FOR PUBLICATION .1997 .
 © COPYRIGHT 1997 BY AMP INCORPORATED. ALL RIGHTS RESERVED.

LOC	DIST	REVISIONS					
		P	LTR	DESCRIPTION	DATE	DWN	APVD
DS	-		A	RELEASED ECN(FC00-0067-02)	30/APR/02	JW	CS
			B	REVISED (ECR-07-015887)	13/DEC/07	DR	JK
			C	REVISED (ECR-11-013205)	28/JUN/11	SJ	HG



NOTE.
 1. APPLICABLE ASS'Y CONNECTOR FOR JPT&MQS 81Pos.; P/N: 368290-1
 2. TRADE MARK.
 3. CAVITY MARK
 4. DATE CODE.
 5. RECYCLE MARKING.

COLOR	MATERIAL	DESCRIPTION	P/N
GRAY	PBT+GF20%	MQS REC HSG TYPE "B" (CHINA ONLY)	9-368294-1
GRAY	PBT+GF20%	MQS REC HSG TYPE "B"	368294-1

THIS DRAWING IS CONTROLLED DOCUMENT FOR AMP INCORPORATED. IT IS SUBJECT TO CHANGE AND THE CONTROLLING ENGINEERING ORGANIZATION SHOULD BE CONTACTED FOR THE LATEST REVISION.		DWN SJ CHOI CHK JW JUNG APVD HG CHO PRODUCT SPEC --- APPLICATION SPEC --- WEIGHT ---				
DIMENSIONS: MM 		TOLERANCES UNLESS OTHERWISE SPECIFIED: 0 <XX<10 ± 0.2 10<XX<30 ± 0.25 30<XX ± 0.3 ANGLES ± 3°				NAME MQS REC HOUSING "TYPE B"
MATERIAL		FINISH		SIZE A3	CAGE CODE 00779	DRAWING NO 368294
				SCALE 1/1	SHEET 1 OF 1	REV C