

4

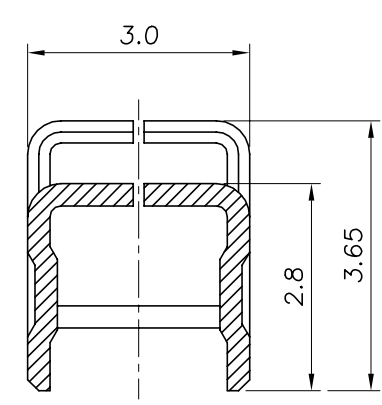
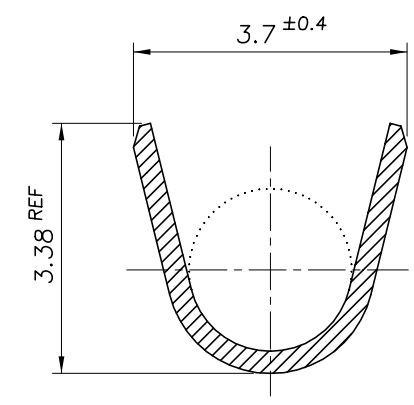
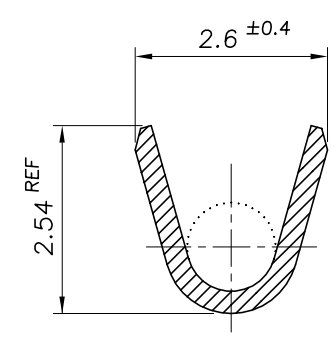
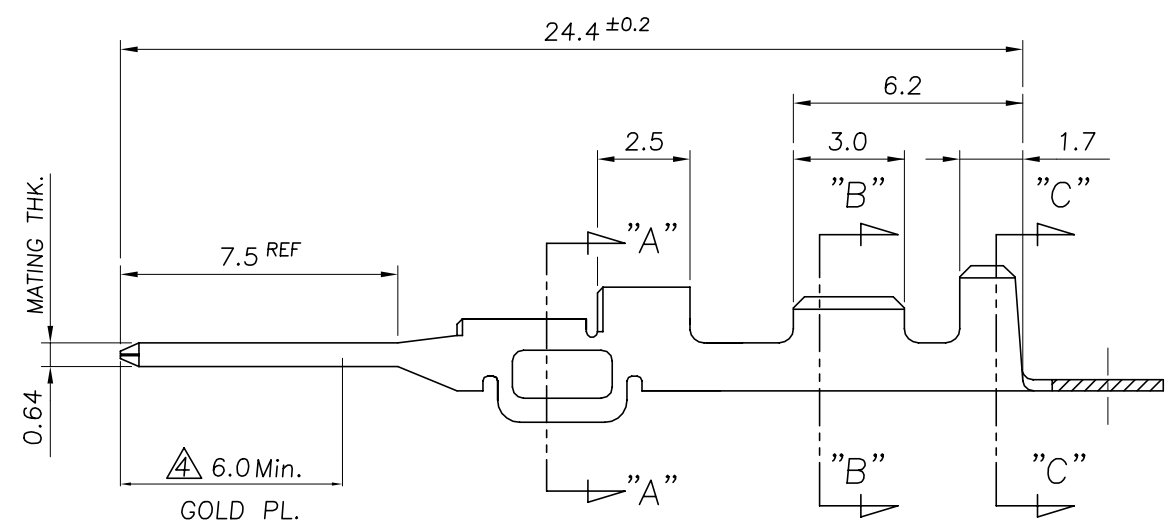
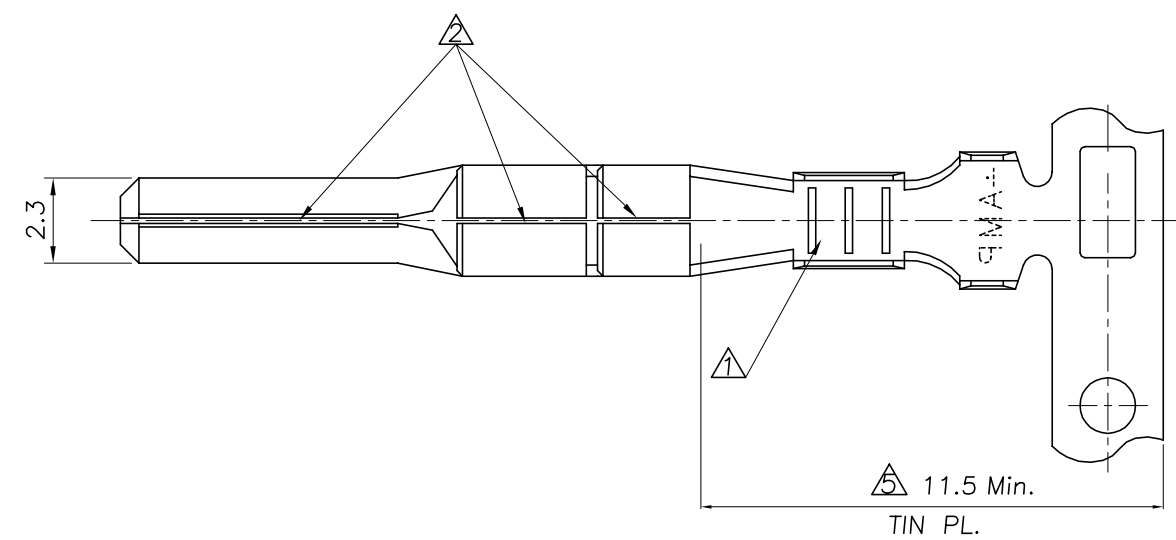
3

2

1

REVISIONS

P	LTR	DESCRIPTION	DATE	DWN	APVD
	C	REVISED (ECR-23-163501)	10/JAN/23	JW	KT



\* NOTES

- △ THREE SERRATIONS CENTERED IN WIRE BARREL.
- △ 0.15 MAX GAP PERMISSIBLE.
- 3 WIRE SIZE EQUIV CAVUS 0.3 ~ AVS 0.5 sqmm.

4/5 SELECTIVE GOLD PRE-TINNED	BRASS STRIP 0.30THK.	1- 368088 -1
	FINISH	MATERIAL

THIS DRAWING IS A CONTROLLED DOCUMENT.		DWN : JG MOON		<b>TE Connectivity</b>	
DIMENSIONS:		CHK : BM JANG			
	TOLERANCES UNLESS OTHERWISE SPECIFIED:	APVD : CS LEE		NAME	
	0 <XX<10 ± 0.2	PRODUCT SPEC		.090 II MLC TAB CONTACT	
	10 ≤ XX < 30 ± 0.25	APPLICATION SPEC		108-61021	
ANGLES ± 3°		114-61004		RESTRICTED TO	
MATERIAL	FINISH	NET; 0.33gf	SIZE	CAGE CODE	DRAWING NO
-	-	-	A3	00779	C-368088
CUSTOMER DRAWING			SCALE	SHEET	OF
-			5/1	1	1
-			REV	C	