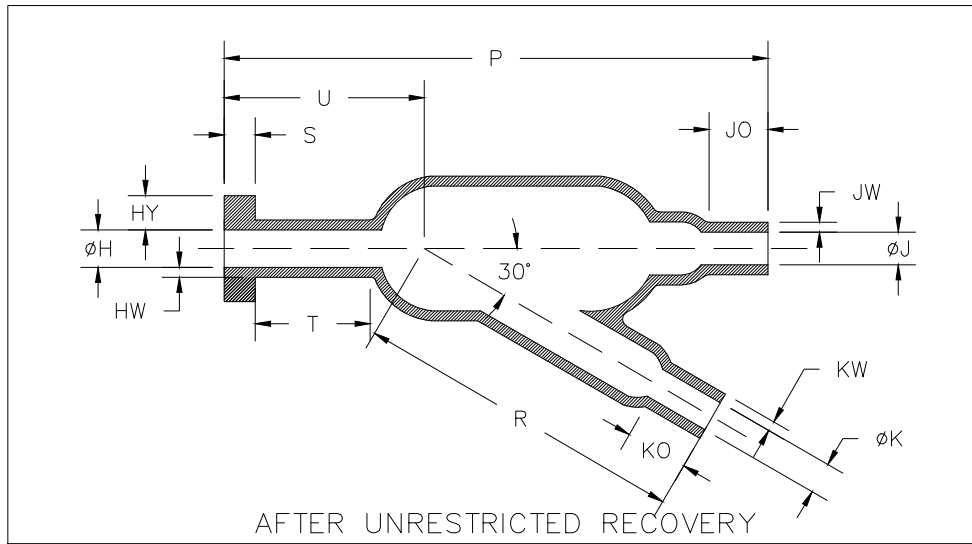
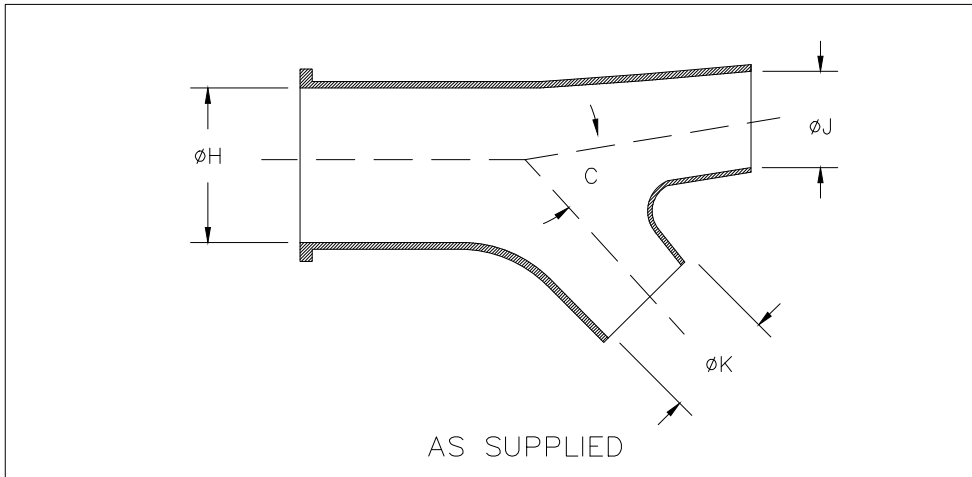


REVISIONS					
P	LTR	DESCRIPTION	DATE	DWN	APVD
	F	PRODUCTION ISSUE	30JAN2019	PNT	MT




PART NUMBER	H		J		K		P ±10%	R ±10%	S ±10%	T ±10%	U ±10%	HY ±10%	HW ±20%	JO ±20%	JW ±20%	KO ±20%	KW ±20%	C' REF
	Min	Max	Min	Max	Min	Max												
	a	b	a	b	a	b	b	b	b	b	b	b	b	b	b	b	b	b
362W204	26.0 [1.02]	6.3 [.25]	16.0 [.63]	5.5 [.22]	16.0 [.63]	5.5 [.22]	90.0 [3.54]	56.0 [2.20]	5.0 [.20]	18.5 [.73]	34.0 [1.34]	5.5 [.22]	2.5 [.10]	11.0 [.43]	2.0 [.08]	11.0 [.43]	2.0 [.08]	30

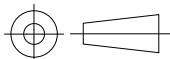
RELEASED FOR PUBLICATION

ALL RIGHTS RESERVED.

THIS DRAWING IS UNPUBLISHED.

© COPYRIGHT - TE Connectivity Ltd.

DIMENSIONS: mm [INCHES]	DWN PRAVEEN N T 30JAN2019	MATERIAL SEE SHEET 2	FINISH -		
	CHK N NAGAR 30JAN2019	 TE Connectivity Ltd.			
TOLERANCES UNLESS OTHERWISE SPECIFIED:	APVD M TAYLOR 30JAN2019			NAME TRANSITION, 30 DEGREES, SIDE BREAKOUT	
0 PLC ± -	PRODUCT SPEC -	SIZE A4	CAGE CODE 00779	DRAWING NO 362W204-12-0	RESTRICTED TO -
1 PLC ± 0.50[.1]	APPLICATION SPEC -	WEIGHT		SCALE DNS	SHEET 1 OF 2
2 PLC ± 0.25[.01]		CUSTOMER DRAWING		REV F	
3 PLC ± 0.13[.005]					
4 PLC ± -					
ANGLES ± 5°					



REVISIONS				
P	LTR	DESCRIPTION	DATE	APVD
	-	SEE SHEET 1	-	-

COMPATABILITY CHART				
MATERIAL DASH NO.	MATERIAL DESCRIPTION	RT SPEC	COATING SLASH NO.	COATING S NO.
-12	FLUOROELASTOMER, FLEXIBLE	RT-1312	N/A	N/A

ORDERING INFORMATION

Base part number 362W204 -XX -0


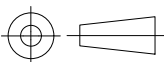
Material dash number (See Compatability Chart)

Color Designator

NOTES

- Dimensions appearing in table are as follows:
  - a - As Supplied
  - b - After Unrestricted Recovery

THIS DRAWING IS UNPUBLISHED. ALL RIGHTS RESERVED. © COPYRIGHT - TE Connectivity Ltd.

DIMENSIONS: mm [INCHES]	DWN PRAVEEN N T 30JAN2019	MATERIAL SEE SHEET 2	FINISH -
	CHK N NAGAR 30JAN2019	 TE Connectivity Ltd.	
TOLERANCES UNLESS OTHERWISE SPECIFIED:	APVD M TAYLOR 30JAN2019		
0 PLC ± -	PRODUCT SPEC -	SIZE A4	CAGE CODE 00779
1 PLC ± 0.50[.1]	APPLICATION SPEC -	DRAWING NO C-362W204-12-0	RESTRICTED TO -
2 PLC ± 0.25[.01]			
3 PLC ± 0.13[.005]			
4 PLC ± -			
ANGLES ± 5°	WEIGHT		
	CUSTOMER DRAWING	SCALE DNS	SHEET 2 OF 2
			REV F