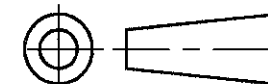


DO NOT SCALE

DIMENSIONS IN mm

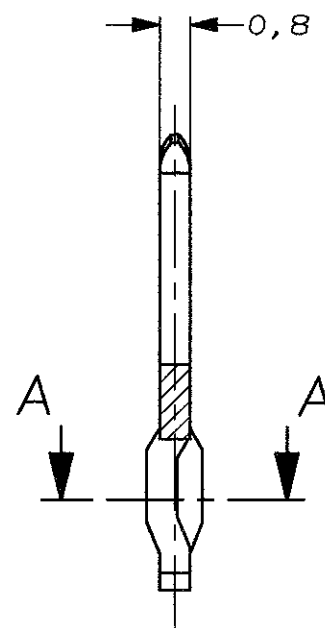
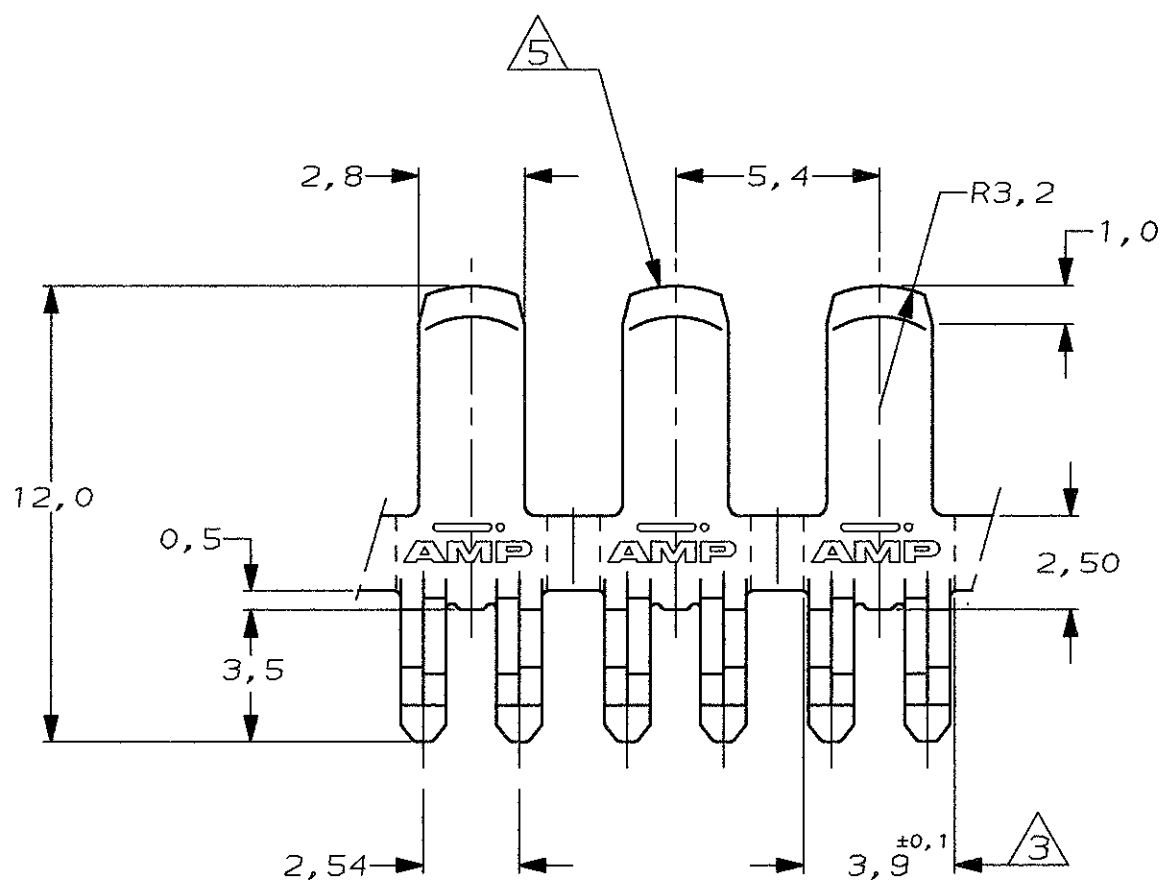
METRIC

THIRD ANGLE
PROJECTION



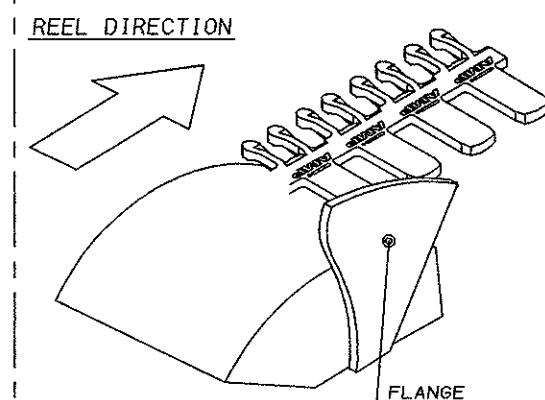
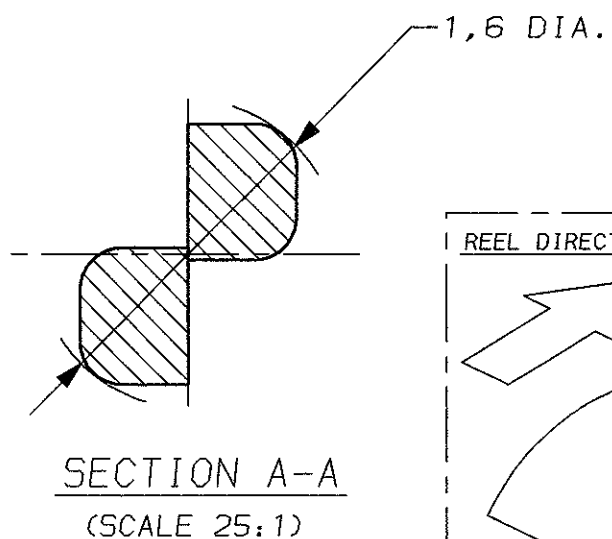
P.C.B. HOLE DIM. ACTION PIN

DRILLED HOLE	:1,5	±0,025	mm
FIN. HOLE	:1,29	+0,15	mm
AFTER REFLOW	:1,27	+0,15	mm
Cu-thks	:0,025 to 0,075		mm
SnPb-thks	:0,004 to 0,015		mm
P.C.B.-thks	:≥1,6		mm



NOTES:

- 1 PHOSPHORBRONZE # 4 HD
- 2 2,54µm Sn/Pb OVER 1,25µm MIN. NICKEL.
- 3 CUT-OFF WIDTH.
- 4. ALL TOLERANCES +/- 0,1 UNLESS OTHERWISE SPECIFIED.
- 5 TAB SWAGE ACC. AMP DWG. Nr.90-52136-21 (AMP-GERMANY)



		2		1		352604-2	
		FINISH		MATERIAL		PARTNUMBER	
		-		-		CUSTOMER DRAWING FOR REFERENCE ONLY WILL NOT BE UPDATED	
		-		-		© COPYRIGHT 1998 BY AMP HOLLAND B.V. ALL INTERNATIONAL RIGHTS RESERVED. AMP PRODUCTS MAY BE COVERED BY U.S. AND FOREIGN AND/OR PATENTS PENDING.	
		-		-		THIS DRAWING IS UNPUBLISHED RELEASED FOR PUBLICATION	
C	EH00-0235-99	LvdH	R.O.	3 FEB '99	AMP HOLLAND B.V. 's-Hertogenbosch, The Netherlands.		
B	EH00-1614-98	LvdH	R.O.	12 OCT '98	AMP		
A1	-	LvdH	R.O.	31 AUG '98	NAME		
A	-	LvdH	R.O.	28 JUL '98	2,8x0,8mm TAB WITH ACTION PIN (FOR 1,6-3,2mm PCB THK'S)		
LTR.	REVISION RECORD	DR.	CHK.	DATE			
DR.: L.v.d.Heijden	CHK.: R. op ten Berg	APP.: R. op ten Berg	DWG.No.	REV.LTR.	SHEET	A3	
DATE: 28 JULY 1998	DATE: -	DATE: -	C-352604	C	1 OF 1		