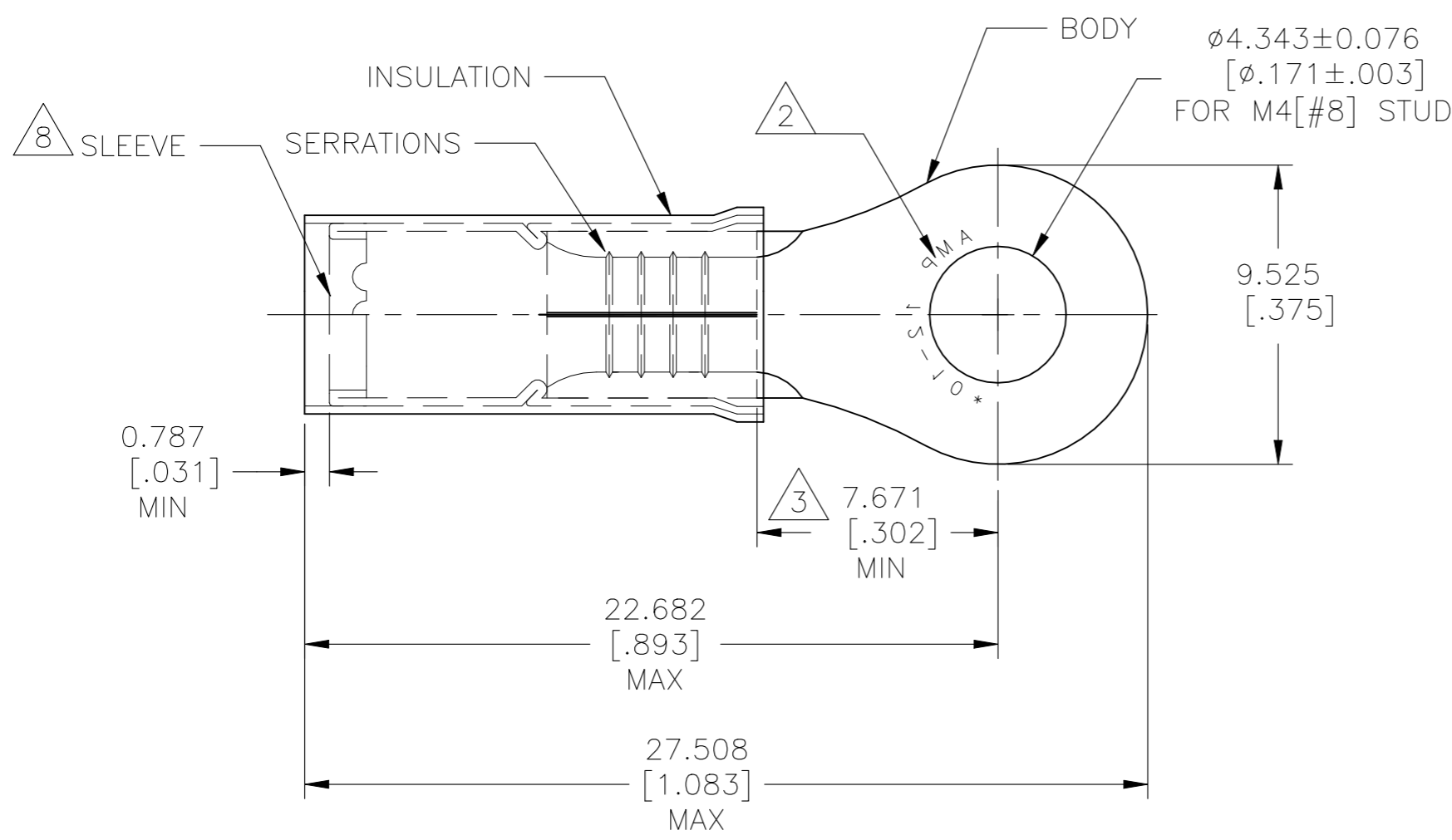


REVISIONS				
P	LTR	DESCRIPTION	DATE	APVD
	J7	REVISED PER ECN-22-156403	06JUN2022	RK CSD



AMP WIRE RANGE	Listed FILE E13288	LR7189 Certified
12-10 AWG SOLID OR STRANDED	12-10 AWG SOLID OR STRANDED	12-10 AWG SOLID OR STRANDED

- 1 ALTERNATE PVC INSULATION MATERIAL FOR FOREIGN SUBSIDIARIES ONLY
- 2 STAMP AMP 12-10* APPROX AS SHOWN
- 3 DIMENSION APPLIES FROM EDGE OF METAL WIRE BARREL TO CENTER OF STUD HOLE
- 4 FOR WIRE INSULATION DIA:
3.810[.150] TO 6.350[.250]
- 5 BODY MATERIAL THK: 1.016±0.051[.040±.002]
- 6 MATERIAL:
BODY & SLEEVE: COPPER PER ASTM B152
INSULATION: NYLON 1
- 7 FINISH:
BODY & SLEEVE: TIN PLATE PER ASTM B545
INSULATION: COLOR-YELLOW

8 INTERNAL EDGE FEATURE MAY BE SOLID OR SCALLOPED.

-	100	LOOSE PC, BOX	8-35108-1
-	2500	ON TAPE, REEL	2-35108-1
MS25036-156 CLASS 1	500	LOOSE PIECE	35108
MILITARY PART NO & CLASS	QTY	PACKAGE TYPE	PART NO

AMP INCORPORATED CUSTOMER SERVICE SYSTEMS

FOR ADDITIONAL PRODUCT INFORMATION OR COPIES OF DRAWINGS AND TECHNICAL DOCUMENTS	PRODUCT INFORMATION CENTER 1-800-522-6752
FOR APPLICATION TOOLING INFORMATION	TOOLING ASSISTANCE CENTER 1-800-722-1111
FOR ORDER ENTRY	1-800-526-5142

RECOMMENDED OPERATING TEMPERATURE: 105°C [221°F]
VOLTAGE RATING: 300V MAX
WIRE CROSS SECTIONAL AREA RANGE: 2.62-6.64mm ² [5,180-13,100] SOLID OR STRANDED

THIS DRAWING IS A CONTROLLED DOCUMENT.

DIMENSIONS: mm [INCHES]	TOLERANCES UNLESS OTHERWISE SPECIFIED:
	0 PLC ± -
	1 PLC ± -
	2 PLC ± -
	3 PLC ± 0.127[.005]
	4 PLC ± -
	ANGLES ± 5°
MATERIAL	FINISH
6	7

DWN KIRAN HOLAL 02APR12
CHK ROHDE DANIEL 02APR12
APVD ROHDE DANIEL 02APR12
NAME
PRODUCT SPEC UL 486 A-B
APPLICATION SPEC 114-2157
WEIGHT -

TE Connectivity			
WIRE TERMINAL P.I.D.G RING TONGUE WIRE SIZE: 12-10			
SIZE A3	CAGE CODE 00779	DRAWING NO C-35108	RESTRICTED TO -
CUSTOMER DRAWING		SCALE 5:1	SHEET 1 OF 1
		REV J7	