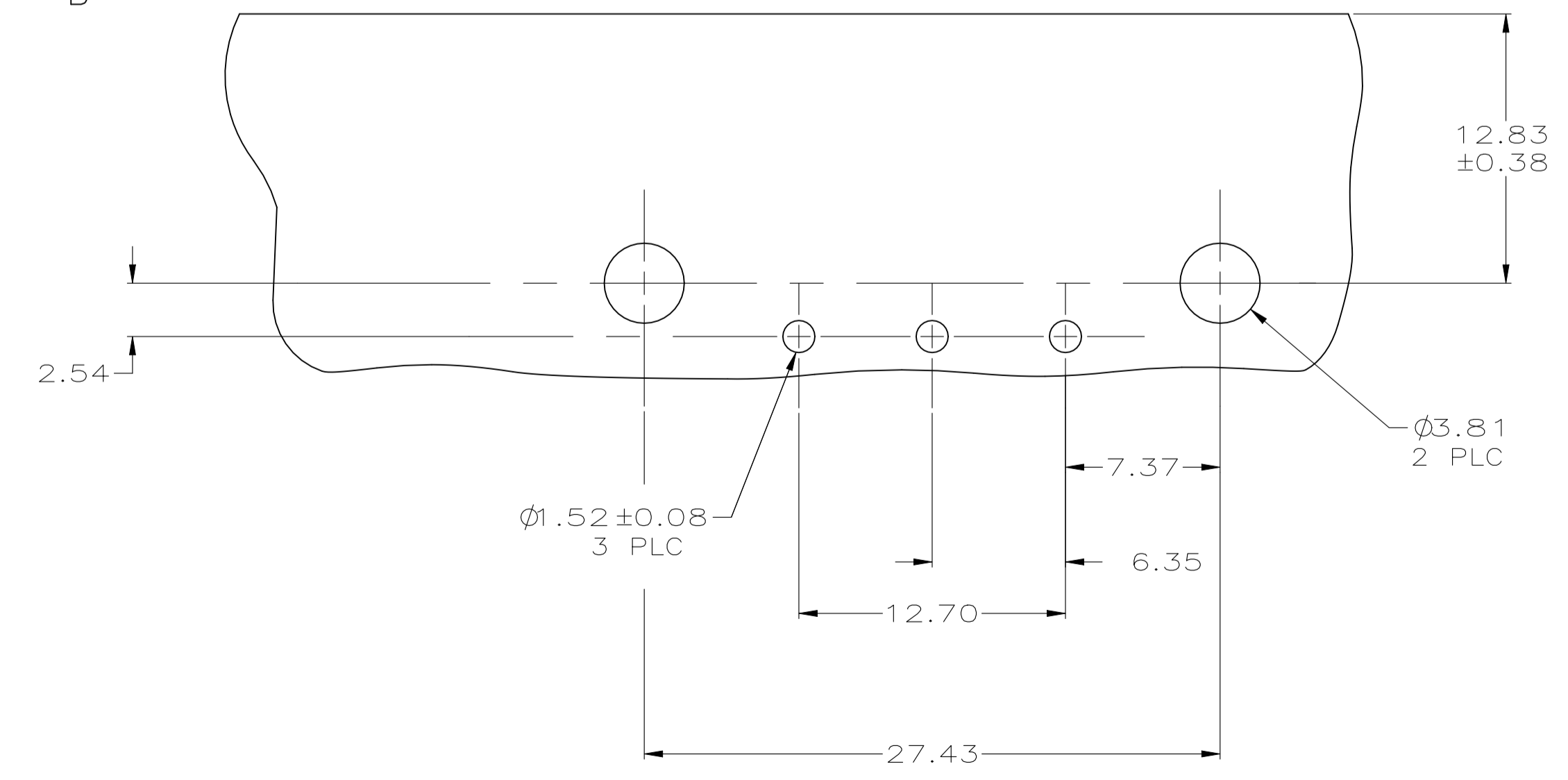
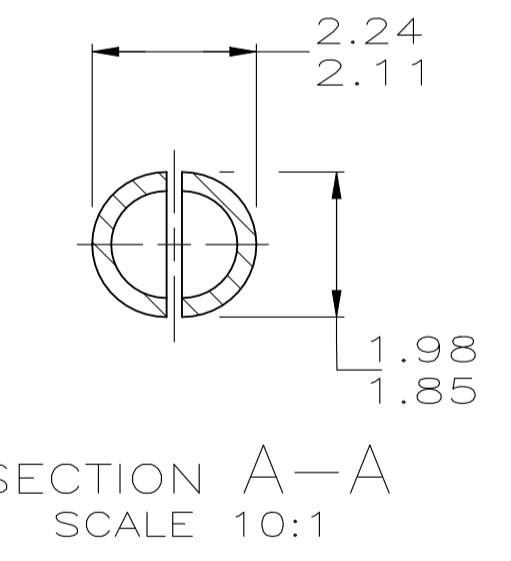
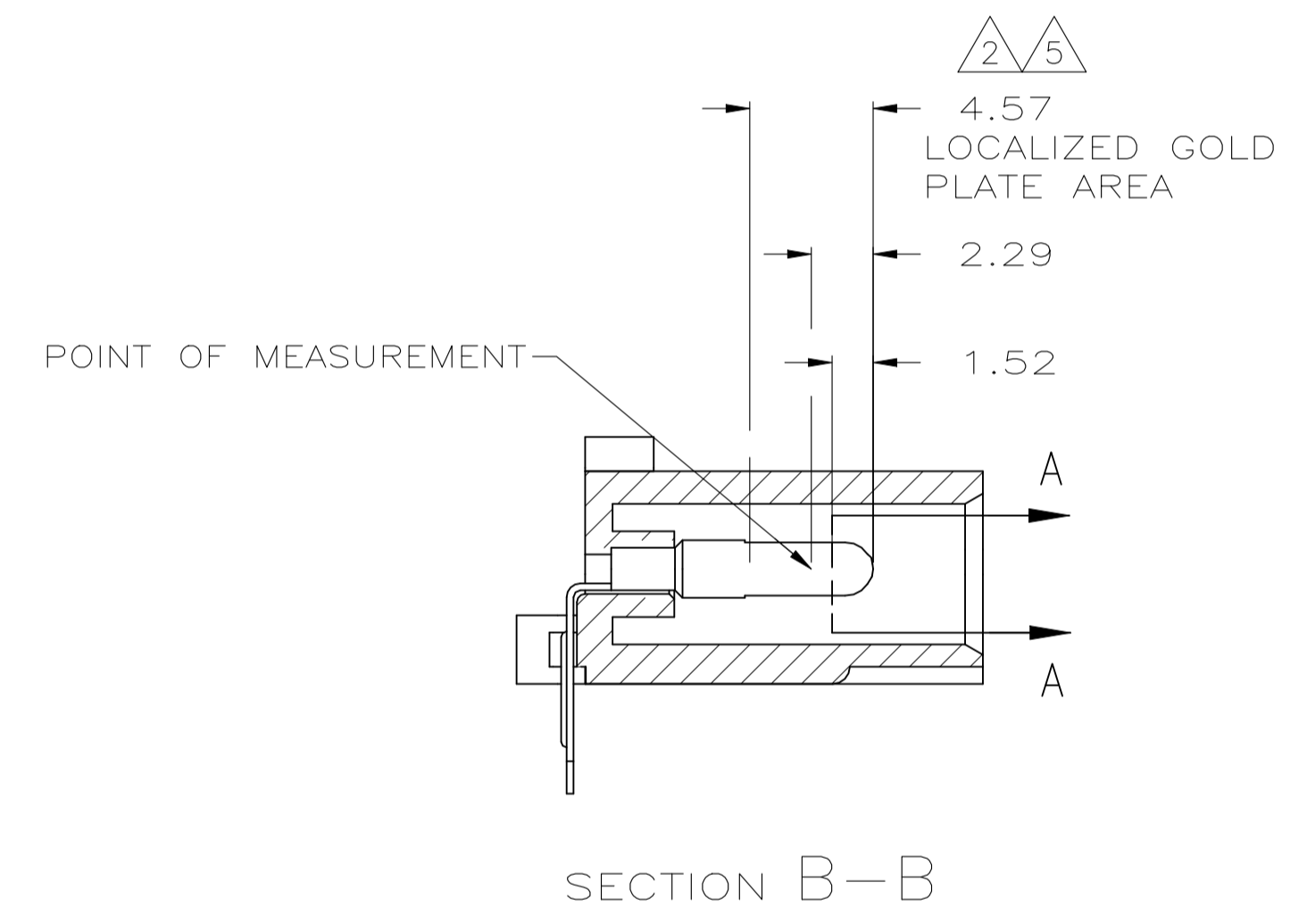
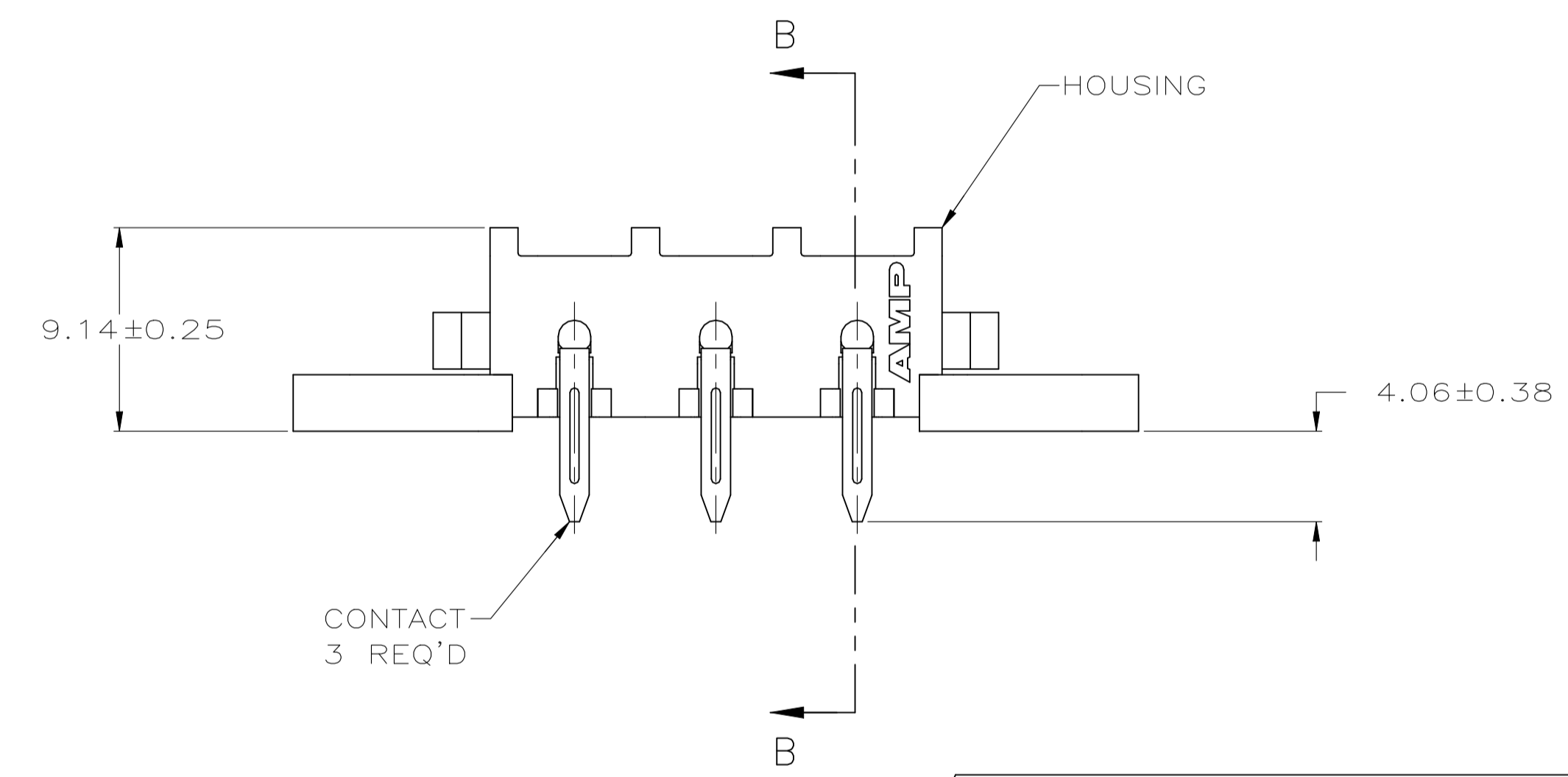
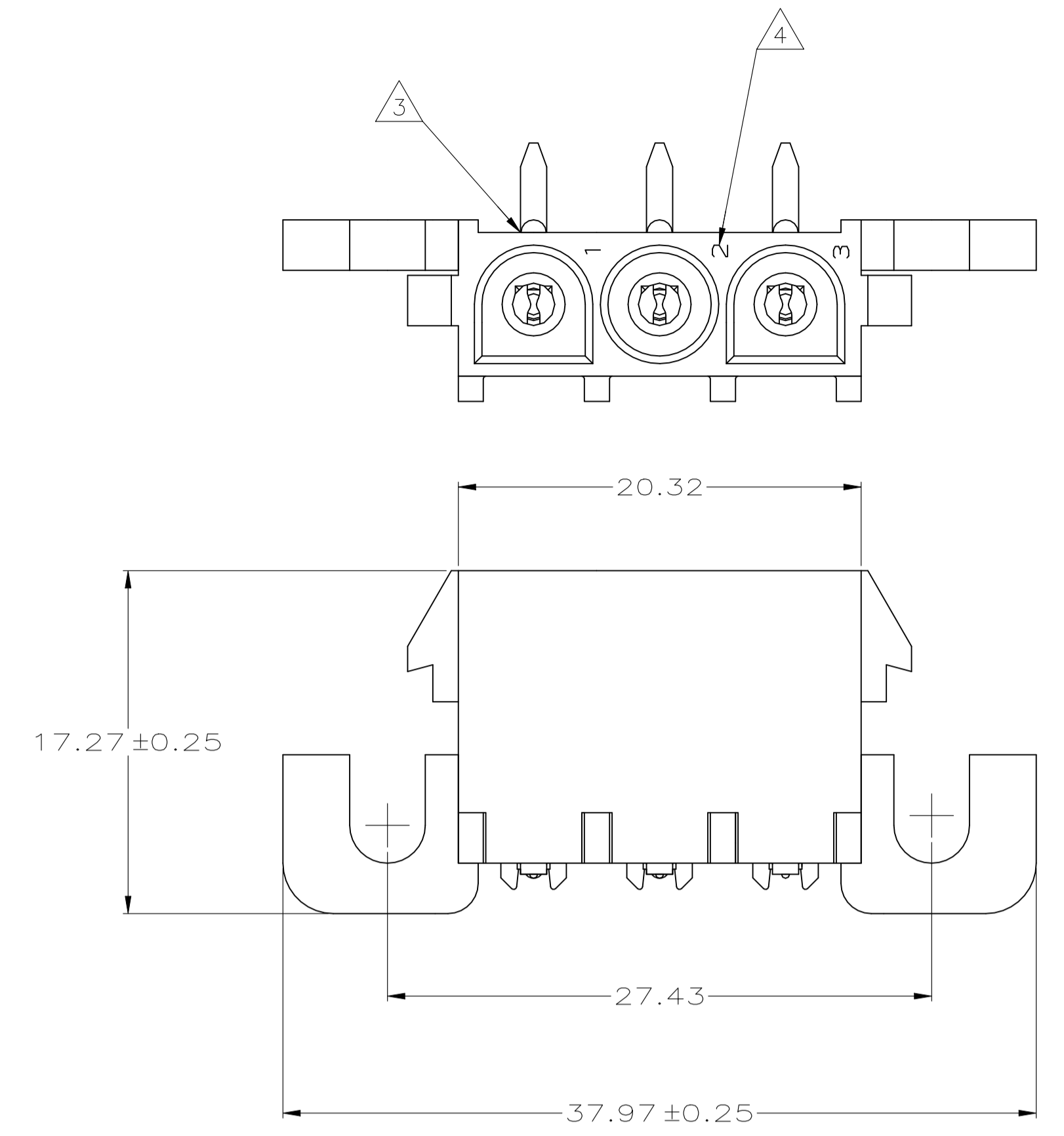


REVISIONS					
REV	DATE	DESCRIPTION	BY	CHK	APP'D
M3	22OCT2021	REVISED PER ECR-21-118133	SS	VS	



RECOMMENDED MOUNTING HOLE PATTERN FOR 1.57 THICK P.C. BOARD

- 1 PARTS COMPLY WITH AMP SOLDERABILITY SPECIFICATION 109-11-5.
- 2 CONTACT IS PLATED OVERALL WITH 0.00127 MIN NICKEL, THEN 0.00076 GOLD OVER CONTACT LENGTH INDICATED AND MATTE TIN-LEAD FINISH ON SOLDER TAIL END.
- 3 OPTIONAL CONSTRUCTION MAY DELETE THIS RIB.
- 4 CIRCUIT IDENTIFICATION CHARACTERS ARE ADJACENT TO THE INDICATED CAVITIES, BUT LOCATION AND ORIENTATION MAY DIFFER FROM PRINT.
- 5 CONTACT IS PLATED OVERALL WITH 0.00127 MIN NICKEL, THEN 0.00076 GOLD OVER CONTACT LENGTH INDICATED AND MATTE TIN FINISH ON SOLDER TAIL END.
- 6 SUPERSEDED BY 3-350943-0
- 7 DIMENSIONS SHOWN REPRESENT PRODUCT IN DRY CONDITION. ADDITIONAL 2% GROWTH DUE TO END USE LOCATION MOISTURE ABSORPTION MAY OCCUR AND SHOULD BE ACCOUNTED FOR

MM	IN	MM	IN
2.29	.090	37.97	1.495
2.24	.088	27.43	1.080
2.11	.083	20.32	.800
1.98	.078	17.27	.680
1.85	.073	12.83	.505
1.57	.062	12.70	.500
1.52	.060	9.14	.360
0.38	.015	7.37	.290
0.25	.010	6.35	.250
0.13	.005	4.57	.180
0.08	.003	4.06	.160
.00127	.000050	3.81	.150
.00076	.000030	2.54	.100
MM	IN	MM	IN

PH BRZ GOLD, Δ	NYLON UL 94V-0	3-350943-0
PH BRZ GOLD, Δ	NYLON UL 94V-0	2-350943-0
PH BRZ PRE-TIN	NYLON UL 94V-0	1-350943-0
CONTACT	HOUSING	PART NUMBER

THIS DRAWING IS A CONTROLLED DOCUMENT.

DIMENSIONS: mm	TOLERANCES UNLESS OTHERWISE SPECIFIED:	DIN K. WHITAKER 15APR2005	TE Connectivity
0 PLC ± -	1 PLC ± -	CHK S. RIDGILL 15APR2005	NAME
2 PLC ± 0.13	3 PLC ± -	APP'D S. RIDGILL 15APR2005	PRODUCT SPEC
4 PLC ± -	ANGLES ± -	APPLICATION SPEC	SIZE
MATERIAL SEE TABLE	FINISH SEE TABLE	WEIGHT 0.000000	SCALE 4:1
		CUSTOMER DRAWING	SHEET 1 OF 1

PIN HEADER ASSEMBLY, RIGHT ANGLE MOUNT, 3 POSITION, UNIVERSAL MATE-N-LOK(TM)

SIZE: A1 00779 C=350943

RESTRICTED TO: REV M3