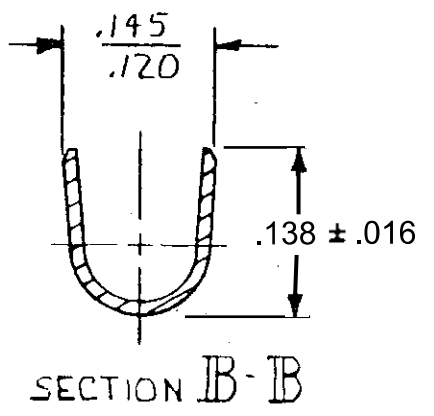
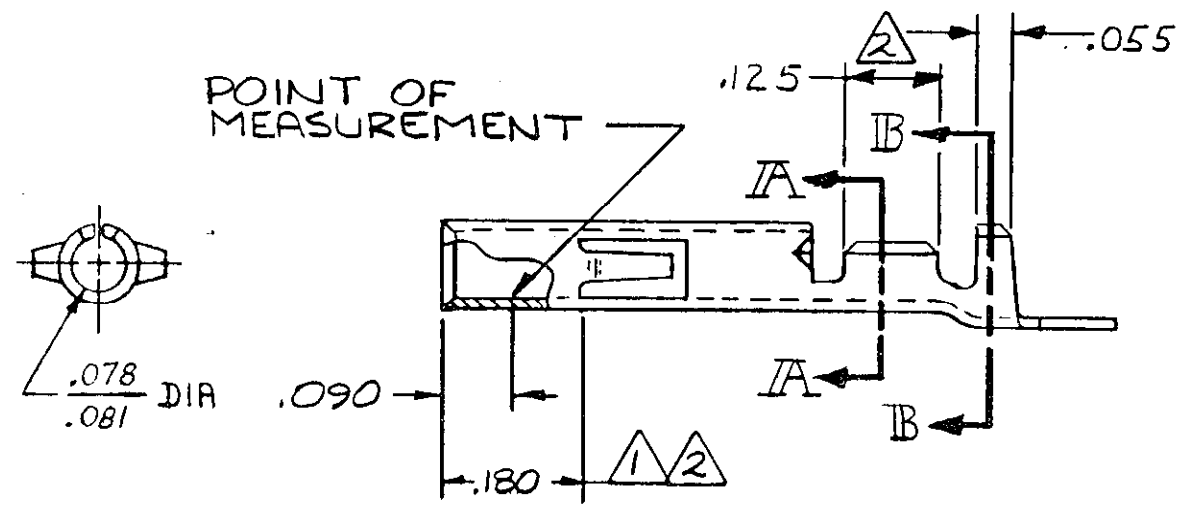
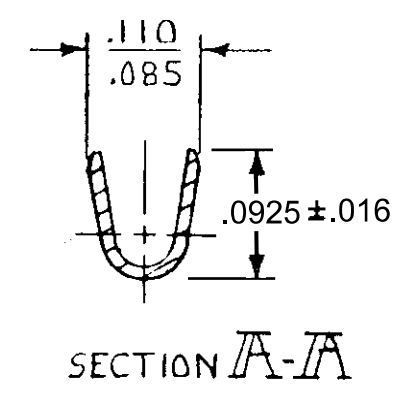
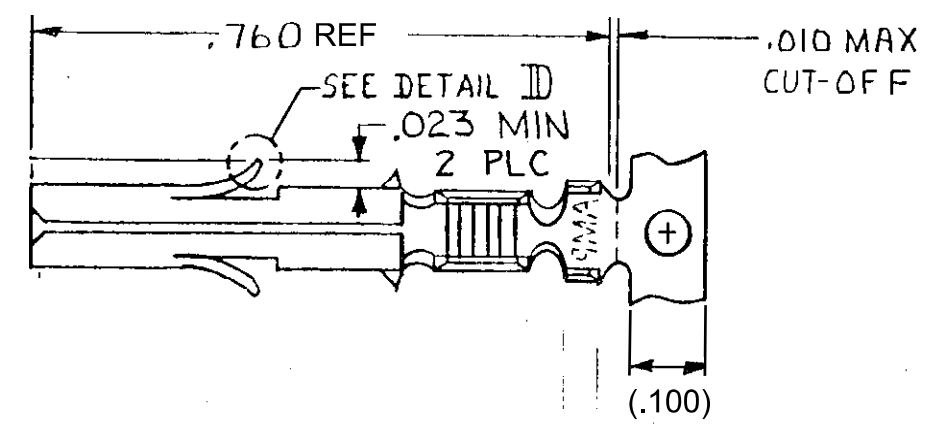
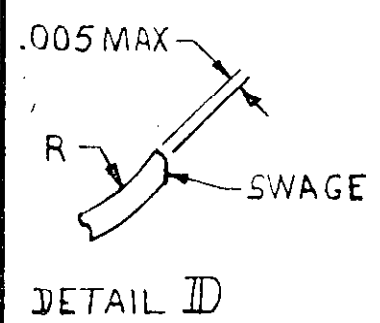


REVISIONS							
P	F	ZONE	LTR	DESCRIPTION	DATE	DWN	APVD
			S1	REVISED PER ECR-18-005288	12APR2018	BDA	SF



- ① .000030 THICK GOLD OVER NICKEL ON INSIDE OF RECEPTACLE; REMAINDER OF CONTACT IS NICKEL PLATED.
- ② .000030 THICK GOLD OVER NICKEL ON INSIDE OF RECEPTACLE AND WIRE BARREL; REMAINDER OF CONTACT IS NICKEL PLATED.
- ③ INSULATION RANGE: .040-.100 DIA.

LODSE PIECE (REF)	FINISH	MATERIAL	PART NO
—	GOLD ①	.012 BRASS	350851-7
640347-2	GOLD ②	.012 BRASS	350851-2
—	PRE-TIN	.012 BRASS	350851-1

UNLESS OTHERWISE SPECIFIED DIMENSIONS ARE IN INCHES. TOLERANCES ON: DECIMALS ± .015 ANGLES ± —	CONTRACT NO		STE TE Connectivity	
	DR <i>M. Feher 4-23-81</i>			
	WIPE RANGE .24-18 AWG	CHK <i>A.S. Heide 6/9/81</i>	NAME SOCKET, UNIVERSAL MATE-N-LOK	
INSULATION RANGE ③	APPD <i>A. Polachuk 6-10-81</i>	SIZE B	CODE IDENT NO 00779	DRAWING NO 350851
	DSGN APPD	SCALE 4-1		SHEET —
	OTHER APPD			