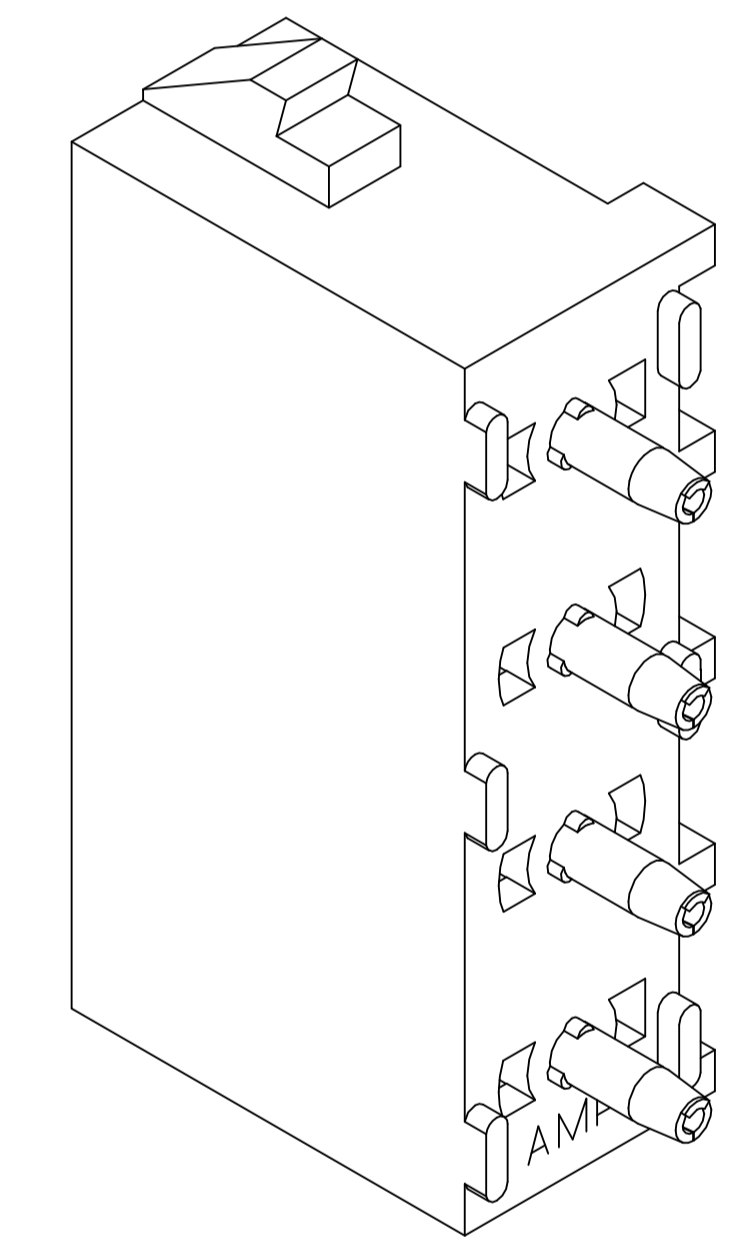
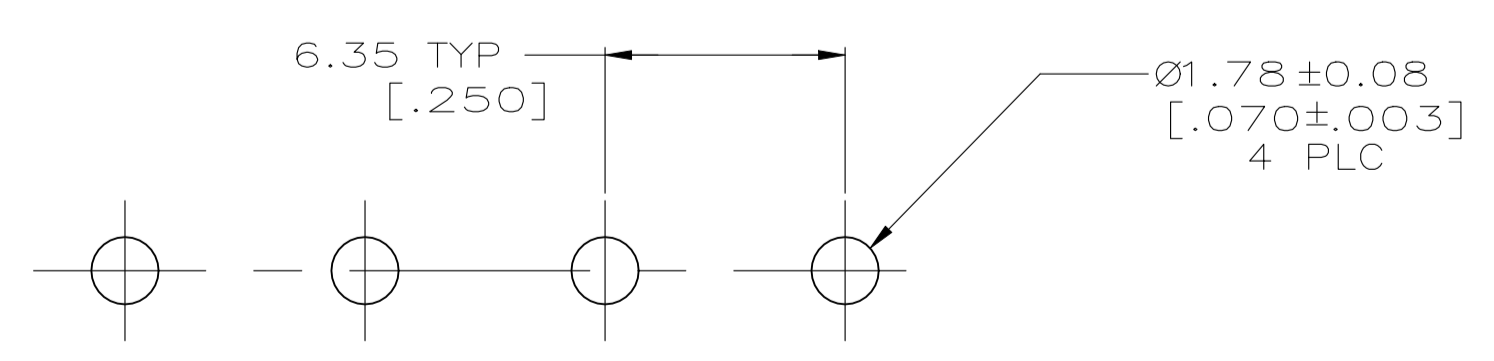
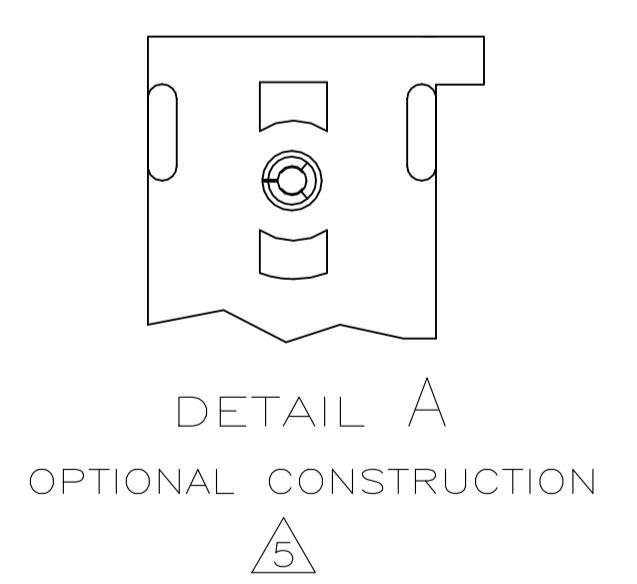
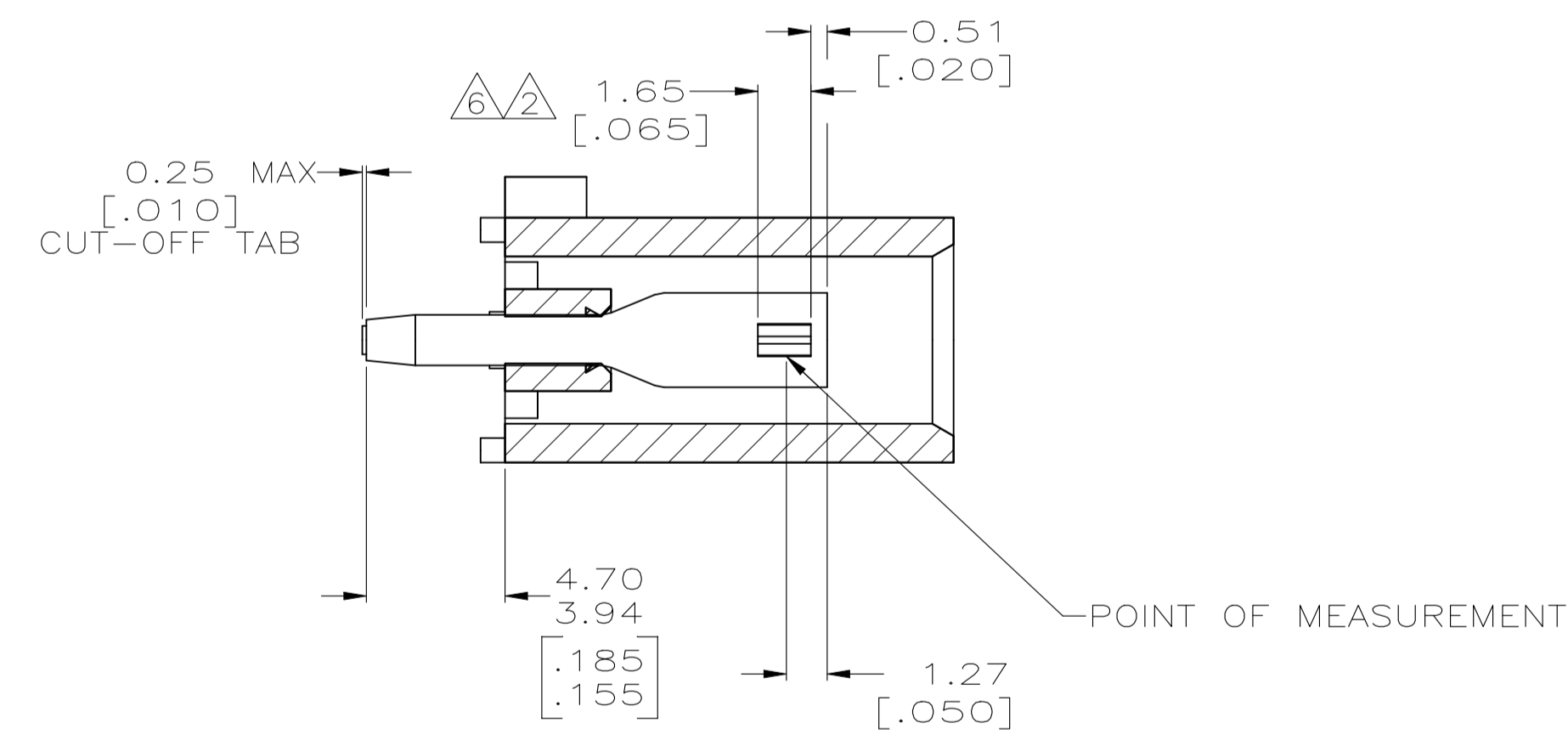


- 1 PARTS COMPLY TO AMP SOLDERABILITY SPECIFICATION 109-11-3.
- 2 CONTACT IS PLATED OVERALL WITH 0.00127 [.000050] NICKEL, THEN 0.00076 [.000030] GOLD OVER CONTACT LENGTH INDICATED AND MATTE TIN LEAD ON SOLDER TAIL END.
- 3 CIRCUIT IDENTIFICATION CHARACTERS ARE ADJACENT TO THE INDICATED CAVITIES, BUT LOCATION AND ORIENTATION MAY DIFFER FROM PRINT.
- 4 DIMENSIONS IN BRACKETS ARE IN INCHES.
- 5 DRAIN HOLES LOCATED AS SHOWN. OPTIONAL CONSTRUCTION - ALL DRAIN HOLES LOCATED 90° AS SHOWN IN DETAIL A.
- 6 CONTACT IS PLATED OVERALL WITH 0.00127 [.000050] NICKEL, THEN 0.00076 [.000030] GOLD OVER CONTACT LENGTH INDICATED AND MATTE TIN ON SOLDER TAIL END.
- 7 SUPERSEDED BY 350826-4
- 8 DIMENSIONS SHOWN REPRESENT PRODUCT IN DRY CONDITION. ADDITIONAL 2% GROWTH DUE TO END USE LOCATION MOISTURE ABSORPTION MAY OCCUR AND SHOULD BE ACCOUNTED FOR.



3-DIMENSIONAL MODEL NTS



RECOMMENDED MOUNTING HOLE PATTERN FOR 1.57 [.062] THICK P.C. BOARD

|                             |                     |             |
|-----------------------------|---------------------|-------------|
| PHOSPHOR BRONZE, GOLD       | NYLON,UL94V-0,WHITE | 350826-4    |
| PHOSPHOR BRONZE, GOLD       | NYLON,UL94V-0,WHITE | 350826-2    |
| PHOSPHOR BRONZE, PRE-TIN    | NYLON,UL94V-0,WHITE | 350826-1    |
| CONTACT MATERIAL AND FINISH | HOUSING MATERIAL    | PART NUMBER |

|  |                  |                           |                     |                               |
|--|------------------|---------------------------|---------------------|-------------------------------|
| THIS DRAWING IS A CONTROLLED DOCUMENT. |                  | DIN LEWIS 10-02-98        | STE TE Connectivity |                               |
| DIMENSIONS: mm [INCHES]                |                  | CHK R SWING 10-02-98      | NAME                |                               |
| TOLERANCES UNLESS OTHERWISE SPECIFIED: |                  | APVD M TRULL 10-02-98     | PRODUCT SPEC        |                               |
| 0 PLC ± -                              | 1 PLC ± -        | APPLICATION SPEC          |                     |                               |
| 2 PLC ± 0.13 [.005]                    | 3 PLC ± -        | SIZE CASE CODE DRAWING NO |                     |                               |
| 4 PLC ± -                              | ANGLES ± 0°30'   | RESTRICTED TO             |                     |                               |
| MATERIAL SEE TABLE                     | FINISH SEE TABLE | WEIGHT -                  | A1 00779 C=350826   | SCALE 5:1 SHEET 1 of 1 REV P3 |
| CUSTOMER DRAWING                       |                  |                           |                     |                               |