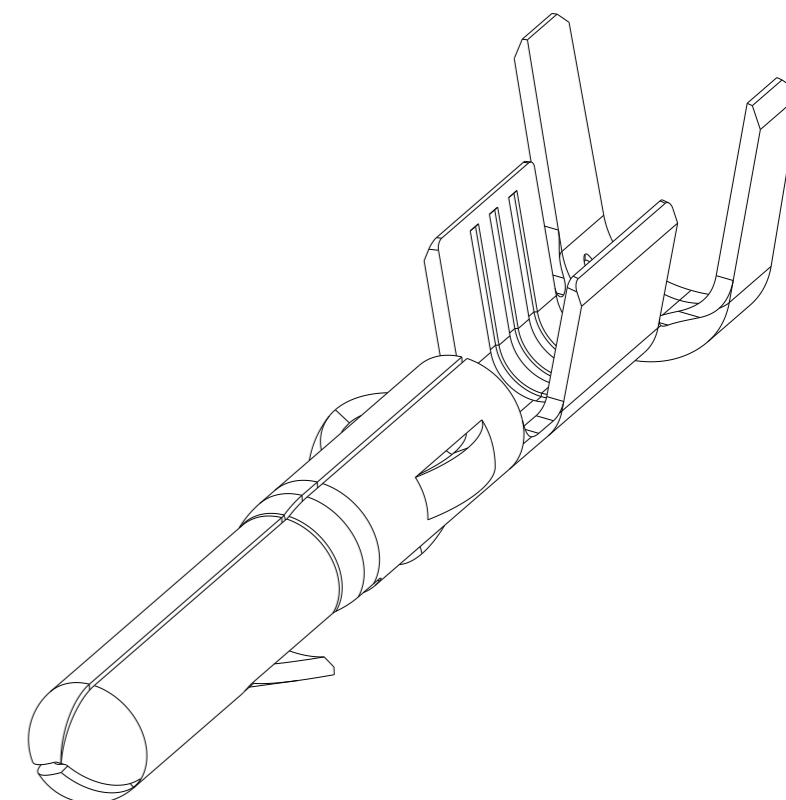
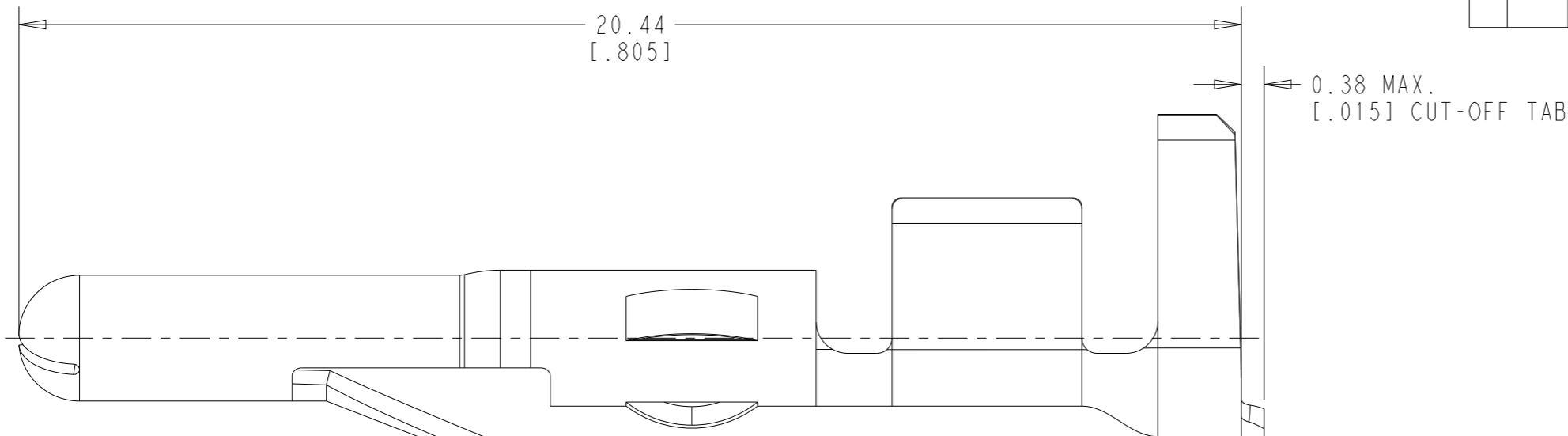


REVISIONS

P	LTR	DESCRIPTION	DATE	DWN	APVD
	F	REACTIVATE -1 PER PR87-139	08OCT1987	KW	RS
	F1	REVISED PER ECN-23-233438	02OCT2023	WLS	VS



SCALE 8:1

NOTES:

- FOR ADDITIONAL INFORMATION SEE DRW.350558.
- THIS TERMINAL TO BE SUPPLIED IN INDIVIDUAL FORM, NOT AS A CONTINUOUS STRIP.
- WIRE RANGE: (2)*18's OR (1)*18 & (1)*16
- INSULATION RANGE: (2) .115 MAX. STACKED.
- DIMENSIONS IN BRACKETS ARE IN INCHES.

PRE-TIN	BRASS	350639-1
FINISH	MATERIAL	PART NO

THIS DRAWING IS A CONTROLLED DOCUMENT.		DWN S. RAMESH 02OCT2023																		
DIMENSIONS: mm [INCHES]		CHK W. L. STEFANI 02OCT2023																		
TOLERANCES UNLESS OTHERWISE SPECIFIED:		APVD V. SHEETAR 02OCT2023																		
<table border="1"> <tr> <td>0 PLC</td> <td>±-</td> <td></td> </tr> <tr> <td>1 PLC</td> <td>±-</td> <td></td> </tr> <tr> <td>2 PLC</td> <td>±-</td> <td>±0.38</td> </tr> <tr> <td>3 PLC</td> <td>±-</td> <td>[.015]</td> </tr> <tr> <td>4 PLC</td> <td>±-</td> <td></td> </tr> <tr> <td>ANGLES</td> <td></td> <td>±1°</td> </tr> </table>		0 PLC			±-		1 PLC	±-		2 PLC	±-	±0.38	3 PLC	±-	[.015]	4 PLC	±-		ANGLES	
0 PLC	±-																			
1 PLC	±-																			
2 PLC	±-	±0.38																		
3 PLC	±-	[.015]																		
4 PLC	±-																			
ANGLES		±1°																		
MATERIAL SEE TABLE	FINISH SEE TABLE	APPLICATION SPEC 114-1012	NAME PIN COMMERCIAL MATE-N-LOK	RESTRICTED TO																
		WEIGHT -	SIZE A3	CAGE CODE 00779																
		CUSTOMER DRAWING	DRAWING NO C-350639																	
			SCALE 10:1	SHEET 1 OF 1																
				REV F1																