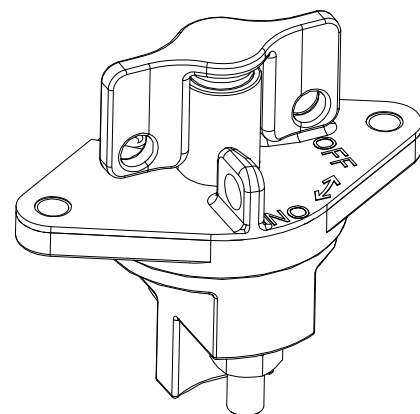
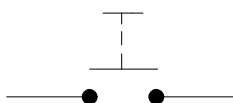


Circuit



Technical Data:

Case Material .....	PA GF black
Switch Lever Material .....	PA GF black
Min.Insulation Resistance .....	100MΩ
Dielectric Withstanding Voltage .....	1050V-1min.
Max.Contact Drop during Resistive Load .....	150mV
Voltage .....	up to 32VDC
Duty Rating .....	400A
Overload .....	1200A-4min.
	1600A-1.5min.
	2000A-10sec.
Sealing .....	IP 67/ IEC 529
Vibration .....	4G/ 50-2000Hz
Shock G-Lever .....	6G/ 11ms
Weight .....	~325g / 0.72 pound
Temperature Range .....	-40°C to +85°C
Wire Section (At Nominal Load) .....	min. 240mm <sup>2</sup>
Mounting Position .....	optional
Switch Lever .....	not removeable
. Torque (Main Terminals) .....	15-20Nm

For this drawing we reserve the copyright in accordance with DIN ISO 16016

	Date	Name
Create	19.09.2019	Seege
Edited	19.09.2019	Seege
Check	19.09.2019	Grind

mm ↔	Scale 1:2
General Tolerances DIN ISO 2768 cL	



Drawing No:	35-414-131-S-900
NSN:	