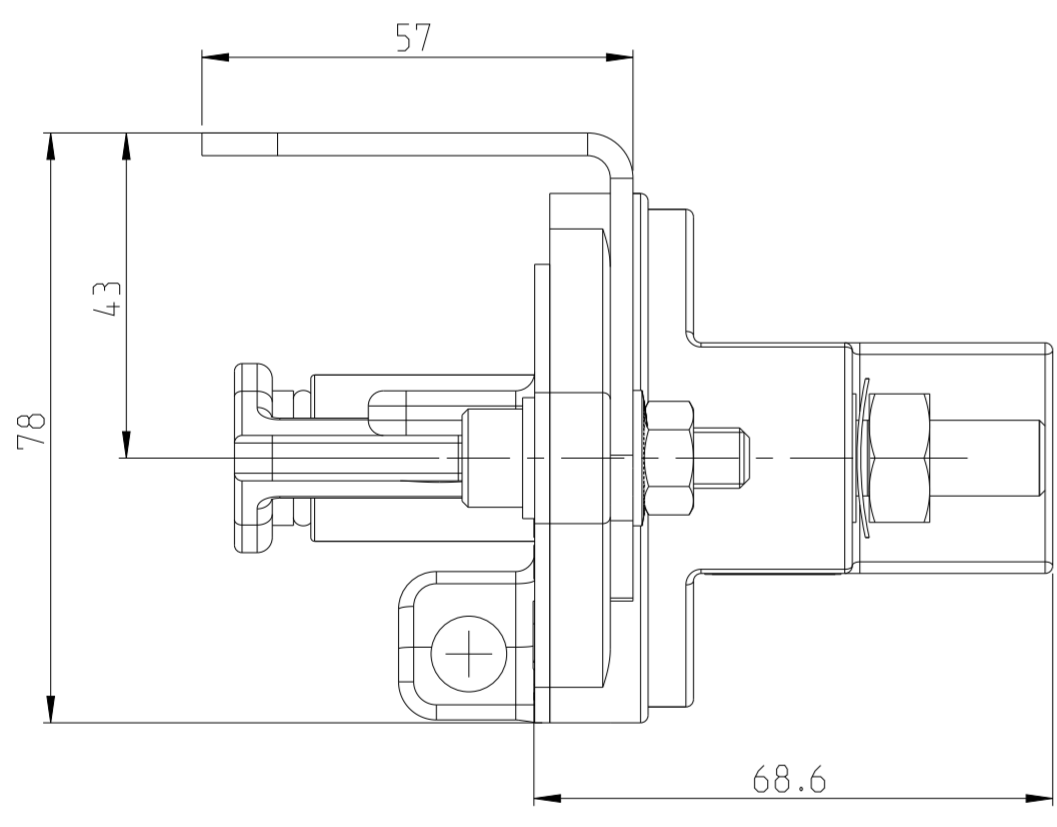
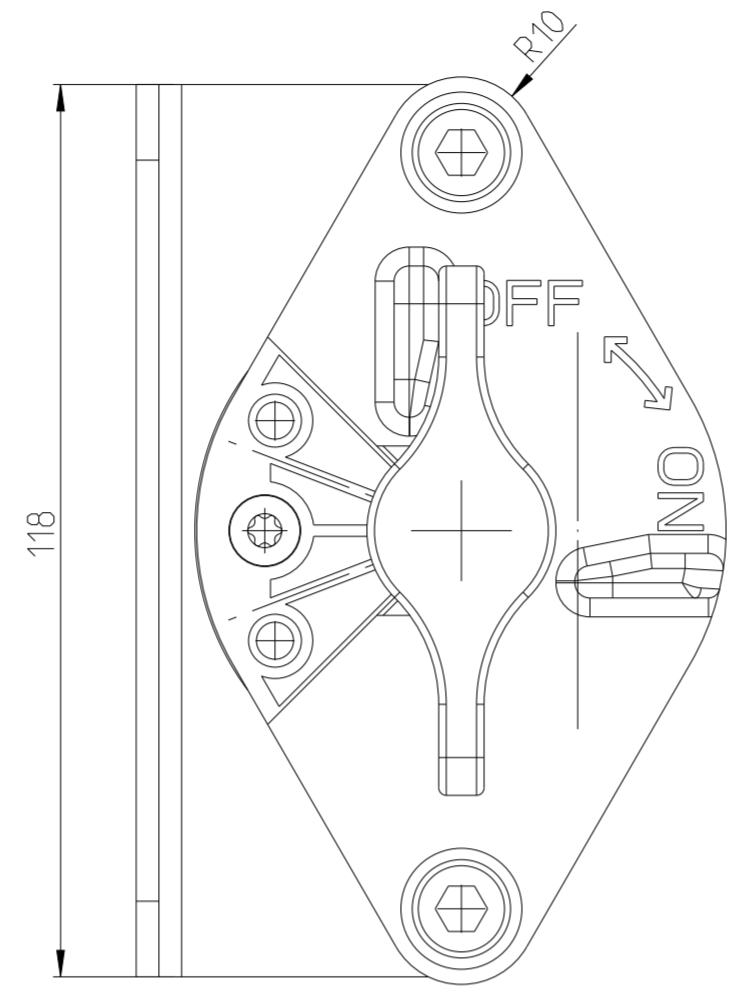
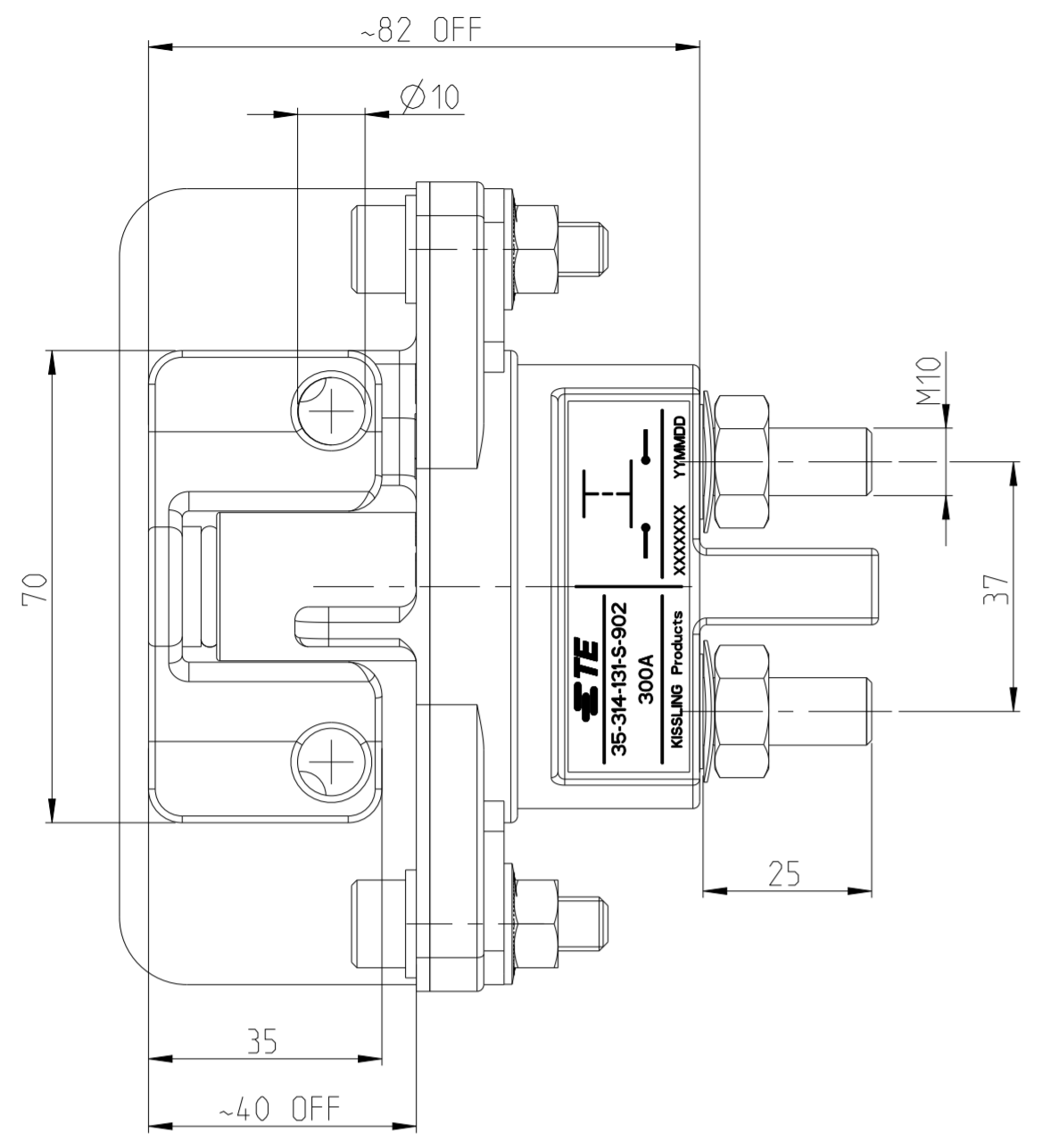
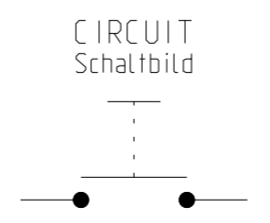
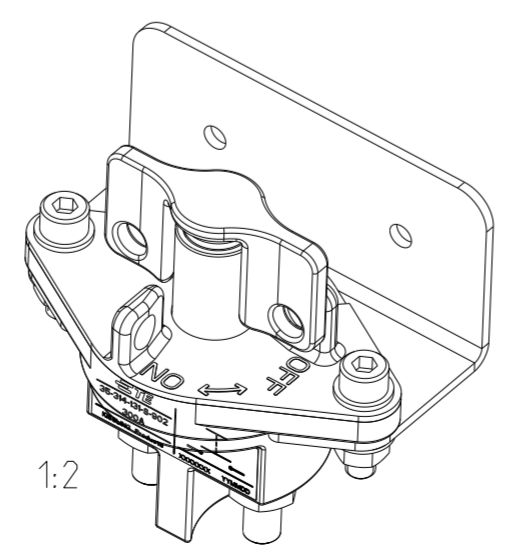
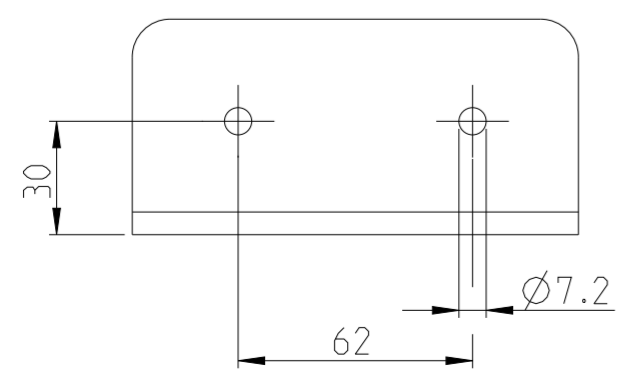


P	LTR	DESCRIPTION	DATE	DWN	APVD
	A	ECN-23-210163	26APR2023	LG	AM



MOUNTING DIMENSIONS  
Befestigungsmaße  
1:2



Technische Daten

Werkstoff: Haube .....	PA GF schwarz
Befestigungssockel .....	PA GF schwarz
Schalthebel .....	PA GF schwarz
Min. Isolationswiderstand .....	100 MOHM
Hochspannungsfestigkeit .....	1050V - 1 min.
Max. Kontaktspannungsabfall bei Nennlast..	150 mV
Betriebsspannung .....	bis 32 VDC
Dauerstrom .....	300 A
Überlast .....	1200A - 2 min.
.....	1600A - 30 sec.
.....	2000A - 3 sec.
Schutzart .....	IP 67 / IEC 529
Vibraton .....	4G / 50-2000 Hz
Schock G-Level .....	6G / 11 ms
Umgebungstemperatur .....	-40°C bis +85°C
Anschlussquerschnitt bei Nennlast .....	Min. 70 mm <sup>2</sup>
Schalthebel .....	nicht abziehbar
Anzugsmoment (Hauptkontakte) .....	15 - 20 Nm

TECHNICAL DATA

CASE MATERIAL: COVER .....	PA GF BLACK
BASE PLATE .....	PA GF BLACK
SWITCH LEVER .....	PA GF BLACK
MIN INSULATION RESISTANCE .....	100 MOHM
DIELECTRIC WITHSTANDING VOLTAGE .....	1050V - 1 min.
MAX. CONTACT DROP DURING RESISTIVE LOAD..	150 mV
VOLTAGE .....	UP TO 32 VDC
DUTY RATING .....	300 A
OVERLOAD .....	1200 A - 2 min.
.....	1600 A - 30 sec.
.....	2000 A - 3 sec.
SEALING .....	IP 67 / IEC 529
VIBRATION .....	4 G / 50-2000 Hz
SHOCK G-LEVEL .....	6G / 11 ms
TEMPERATURE RANGE .....	-40 °C TO +85 °C
WIRE SECTION (AT NOMINAL LOAD) .....	MIN. 70 MM <sup>2</sup>
SWITCH LEVER .....	NOT REMOVEABLE
TORQUE (MAIN CONTACTS) .....	15 - 20 Nm

NOTES  
Bemerkungen

- 1 TE-CONNECTIVITY ORDER-NUMBER  
TE-Connectivity Bestellnummer
- 2 DO NOT SWITCH UNDER LOAD!  
Nicht unter Last schalten!

K1145222	1	A	BATTERY DISCONNECTOR 300A Batterietrennschalter 300A	466	1
TE ORDER-NO.	REV.		DESCRIPTION	WEIGHT (g)	ITEM NO

THIS DRAWING IS A CONTROLLED DOCUMENT.		DWN GRIND	20JAN2012	TE Connectivity NAME BATTERY DISCONNECTOR 300A Batterietrennschalter 300A	
DIMENSIONS: mm		CHK SEEGE	13JUL2020		
TOLERANCES UNLESS OTHERWISE SPECIFIED: DIN ISO 2768 ct		APVD GRIND	13JUL2020		
0 PLC ±		PRODUCT SPEC			
1 PLC ±		APPLICATION SPEC		SIZE	CAGE CODE
2 PLC ±		WEIGHT		A2	00779
3 PLC ±		CUSTOMER DRAWING		DRAWING NO	RESTRICTED TO
4 PLC ±		SCALE 1:1		©=35-314-131-S-902	-
ANGLES ±		SHEET 1 OF 1		REV	A
FINISH ±					