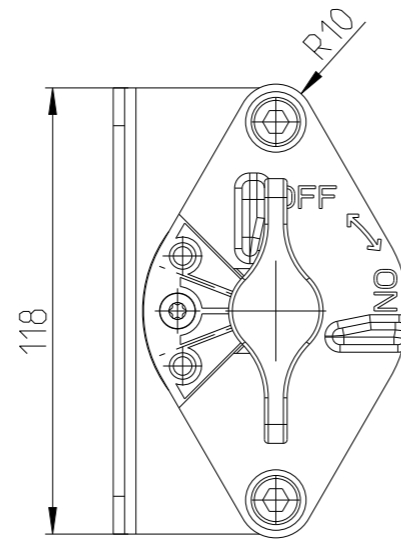
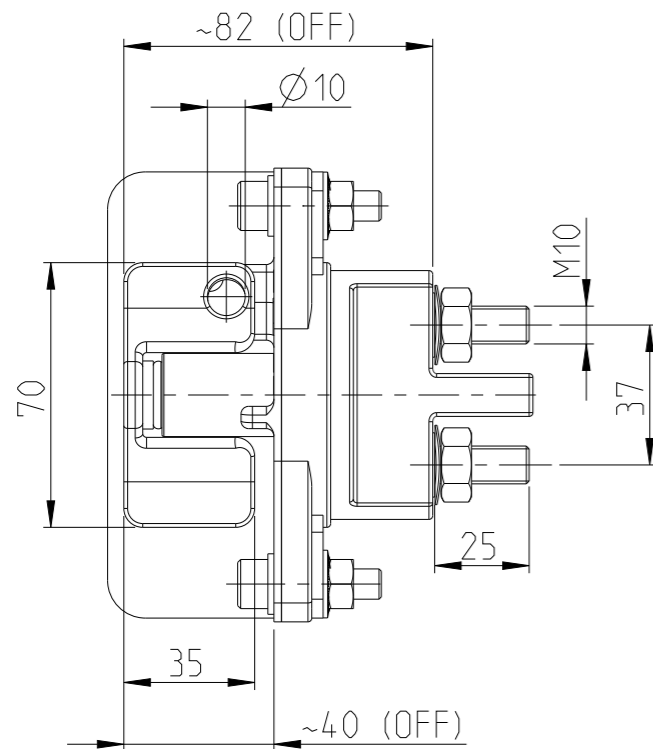


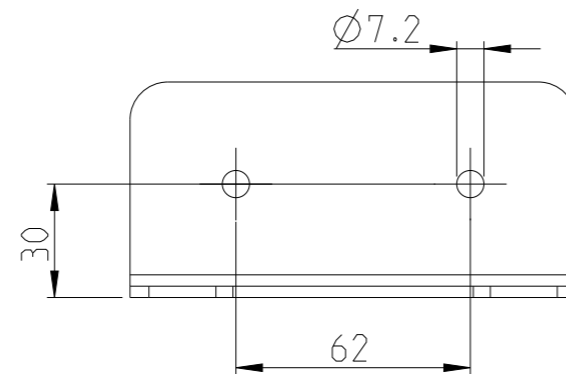
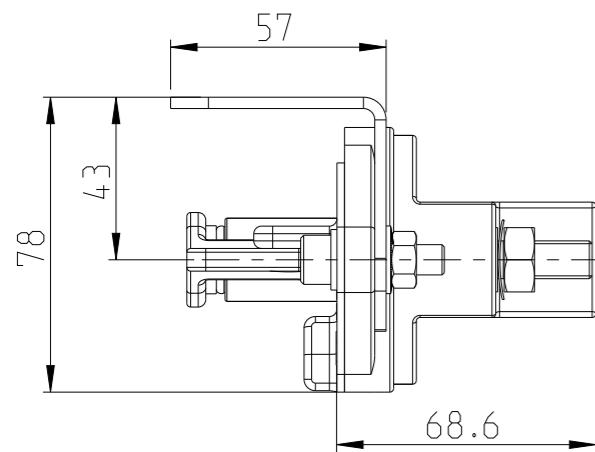
P	LTR	DESCRIPTION	DATE	DWN	APVD
	A	ECN-22-134612	26JAN2022	SEEG	GRIN



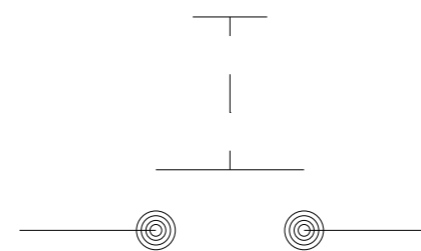
TECHNICAL DATA:

CASE MATERIAL.....	PA GF BLACK
SWITCH LEVER MATERIAL.....	PA GF RED
KEY PLATE MATERIAL.....	PA GF RED
MIN. INSULATION RESISTANCE.....	100MΩ
DIELECTRIC WITHSTANDING VOLTAGE.....	1050V-1min.
MAX. CONTACT DROP DURING RESISTIVE LOAD.....	150mV
VOLTAGE.....	UP TO 32VDC
DUTY RATING.....	300A
OVERLOAD.....	1200A-2min.
	1600A-30sec.
	2000A-3sec.
SEALING.....	IP 67 / IEC 529
VIBRATION.....	4G / 50-2000Hz
SHOCK G-LEVER.....	6G / 11ms
WEIGHT.....	~420g / 0.93 pound
TEMPERATURE RANGE.....	-40°C TO +85°C
WIRE SECTION (AT NOMINAL LOAD).....	MIN. 70mm ²
SWITCH LEVER.....	NOT REMOVEABLE
	LOCKABLE IN "OFF" POSITION
	NOT LOCKABLE IN "ON" POSITION
TORQUE (MAIN TERMINALS).....	15-20Nm

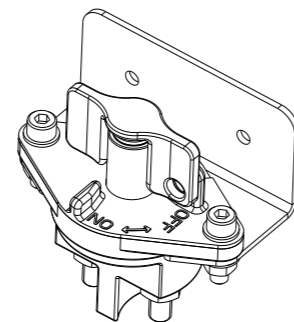
MOUNTING DIMENSIONS



CIRCUIT

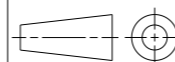


1:3



THIS DRAWING IS A CONTROLLED DOCUMENT.

DIMENSIONS:
mm



MATERIAL

TOLERANCES UNLESS OTHERWISE SPECIFIED:
DIN ISO 2768 cL

0 PLC	±
1 PLC	±
2 PLC	±
3 PLC	±
4 PLC	±
ANGLES	±
FINISH	-

DWN	Manohar	13SEP2021
CHK	GRIN	26JAN2022
APVD	AOWALZ	26JAN2022
PRODUCT SPEC		
APPLICATION SPEC		
WEIGHT		

NAME
BATTERY DISCONNECTOR 300A



SIZE	CAGE CODE	DRAWING NO	RESTRICTED TO
A3	00779	35-314-131-R-902	-

CUSTOMER DRAWING	SCALE	SHEET	REV
	1:2	1 OF 1	A