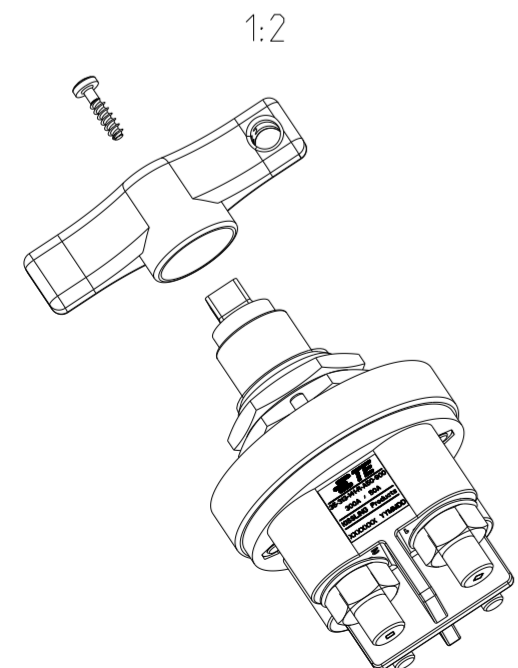
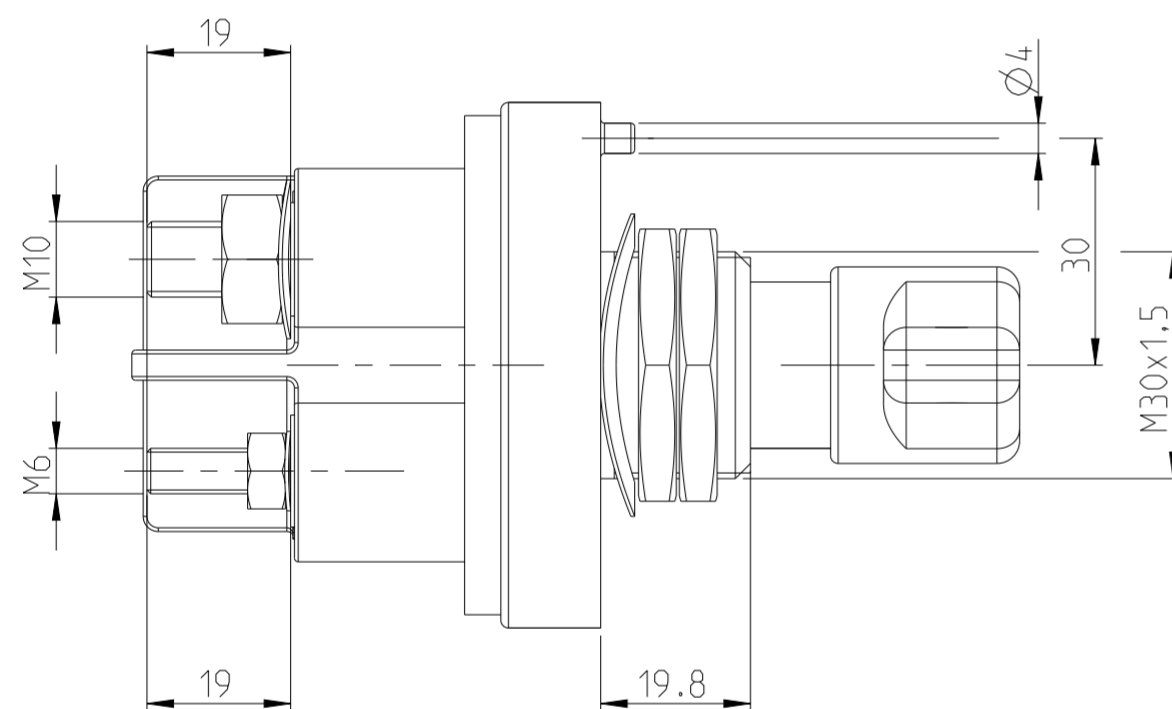
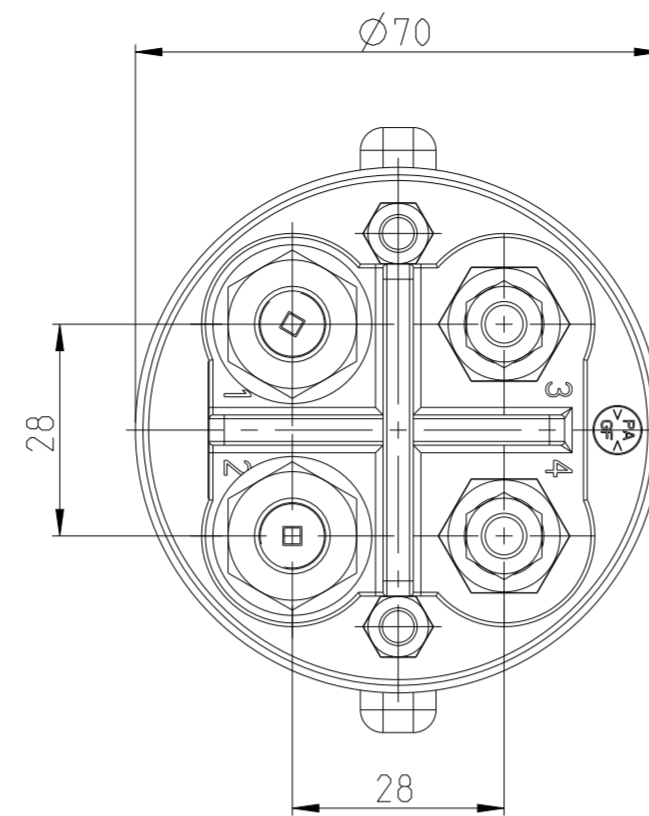
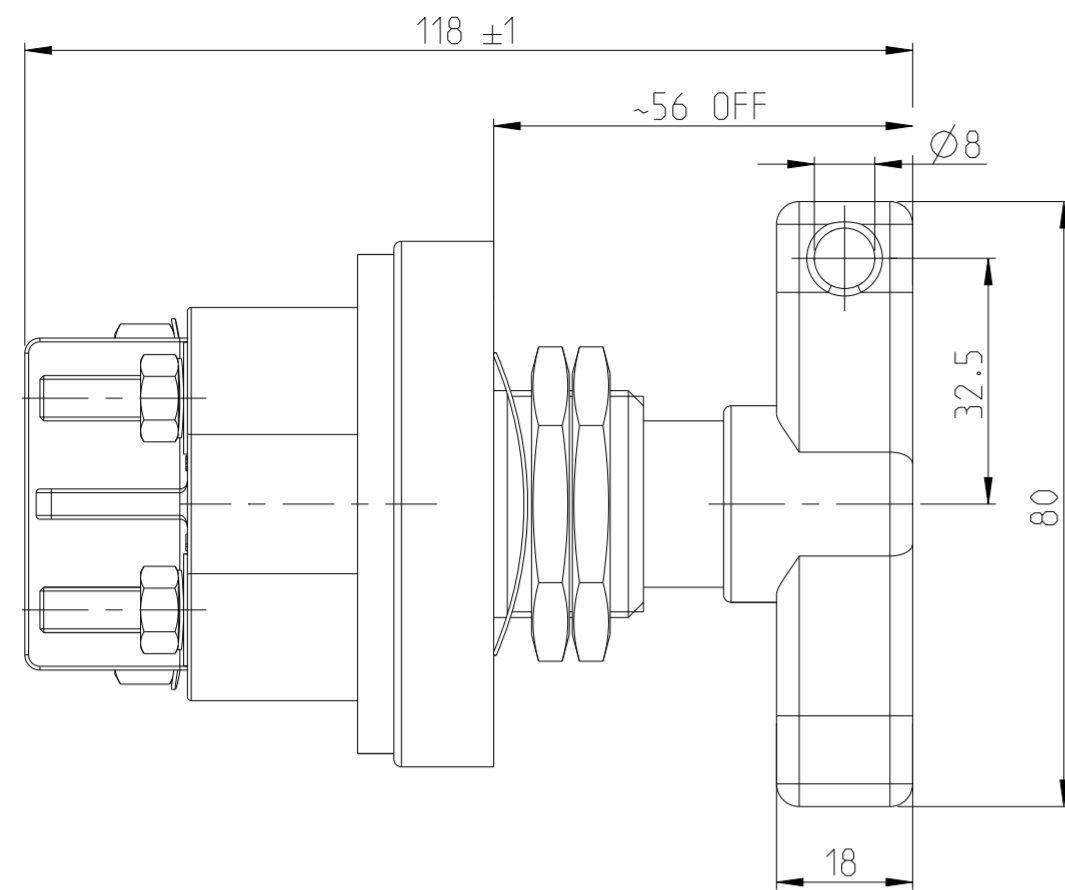


REVISIONS					
P	LTR	DESCRIPTION	DATE	DWN	APVD
	A	ECN-23-200281	24FEB2023	LG	JF

NOTES  
Bemerkungen

1 TE-CONNECTIVITY ORDER-NUMBER  
TE-Connectivity Bestellnummer

2 DO NOT SWITCH UNDER LOAD!  
Nicht unter Last schalten!

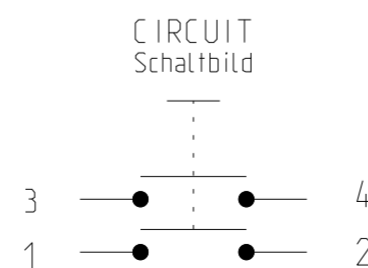


Technische Daten

Werkstoff: Haube ..... PA GF schwarz  
 Befestigungssockel ..... PA GF schwarz  
 Schalthebel ..... PA GF rot  
 Min. Isolationswiderstand ..... 100 MOHM  
 Hochspannungsfestigkeit ..... 1050V - 1 min.  
 Max. Kontaktspannungsabfall bei Nennlast.. 150 mV  
 Betriebsspannung ..... bis 32 VDC  
 Dauerstrom ..... 1x 300 A  
 Ueberlast ..... 1x 500 A - 180 sec.  
 ..... 1x 1000 A - 30 sec.

Hilfskontakt  
 Dauerstrom ..... 50 A  
 Schaltstrom ..... 50 A

Schutzart ..... IP 67 / IEC 529  
 Vibraton ..... 4 G / 50-2000 Hz  
 Schock ..... 6 G / 11 ms  
 Umgebungstemperatur ..... -40°C bis +85°C  
 Anschlussquerschnitt bei Nennlast Hauptkontakte 70 mm<sup>2</sup>  
 bei Nennlast Hilfskontakte 6 mm<sup>2</sup>  
 Schalthebel ..... nicht abziehbar  
 Max. Anzugsmoment (Hauptkontakte) ..... 15 - 20 Nm  
 Max. Anzugsmoment (Hilfskontakte) ..... 7 - 9 Nm



TECHNICAL DATA

CASE MATERIAL: COVER ..... PA GF BLACK  
 BASE PLATE ..... PA GF BLACK  
 SWITCH LEVER ..... PA GF RED  
 MIN INSULATION RESISTANCE ..... 100 MOHM  
 DIELECTRIC WITHSTANDING VOLTAGE ..... 1050V - 1 min.  
 MAX. CONTACT VOLTAGE DROP DURING RESISTIVE LOAD .. 150 mV  
 VOLTAGE ..... UP TO 32 VDC  
 CONTINUOUS RATING ..... 1x 300 A  
 OVERLOAD ..... 1x 500 A - 180 sec.  
 ..... 1x 1000 A - 30 sec.

AUXILIARY CONTACT  
 CONTINUOUS CURRENT ..... 50 A  
 MAKE AND BRAKE ..... 50 A

SEALING ..... IP 67 / IEC 529  
 VIBRATION ..... 4 G / 50-2000 Hz  
 SHOCK ..... 6 G / 11 ms  
 TEMPERATURE RANGE ..... -40°C TO +85°C  
 WIRE SECTION (AT NOMINAL LOAD MAIN TERMINALS) ..... MIN. 70 MM<sup>2</sup>  
 (AT NOMINAL LOAD AUX. TERMINALS) ..... MIN. 6 MM<sup>2</sup>  
 SWITCH LEVER ..... NOT REMOVEABLE  
 MAX TORQUE (MAIN CONTACTS) ..... 15 - 20 Nm  
 (AUX. TERMINALS) ..... 7 - 9 Nm

K1123794	A	BATTERY DISCONNECTOR 300A/50A Batterietrennschalter 300A/50A	403	1
TE ORDER-NO.	REV.	DESCRIPTION	WEIGHT (g)	ITEM NO

THIS DRAWING IS A CONTROLLED DOCUMENT.		DWN R.Baumgartner 29NOV2022	TE Connectivity	
DIMENSIONS: mm		CHK G.Kaiser 29NOV2022		
TOLERANCES UNLESS OTHERWISE SPECIFIED: DIN ISO 2768 cL		APVD R.Baumgartner 29NOV2022	NAME BATTERY DISCONNECTOR 300A/50A Batterietrennschalter 300A/50A	
MATERIAL		PRODUCT SPEC	RESTRICTED TO	
FINISH		APPLICATION SPEC	SIZE A2	CAGE CODE 00779
WEIGHT		WEIGHT	DRAWING NO C-35-313-141-R-A50-900	SCALE 1:1
CUSTOMER DRAWING		WEIGHT	SHEET 1 OF 1	REV A