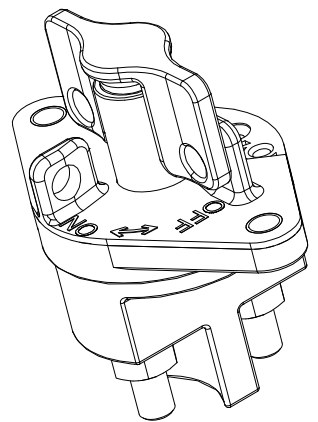
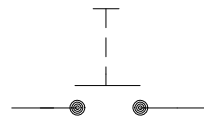


Circuit



For this drawing we reserve the copyright in accordance with DIN ISO 16016

Technical Data:

Case Material	PA GF black
Switch Lever Material	PA GF black
Min.Insulation Resistance	100M0hm
Dielectric Withstanding Voltage	1050V-1min.
Max.Contact Drop during Resistive Load	150mV
Voltage	up to 32VDC
Duty Rating	200A
Overload	1200A-2min.
.....	1600A-30sec.
.....	2000A-3sec.
Sealing	IP 67/ IEC 529
Vibration	4G/ 50-2000Hz
Shock G-Lever.....	6G/ 11ms
Weight	~325g / 0.72 pound
Temperature Range	-40°C to +85°C
Wire Section (At Nominal Load)	min. 70mm ²
Mounting Position	optional
Switch Lever	not removeable
Torque (Main Terminals)	15-20Nm

	Date	Name
Create	05.06.2003	Grind
Edited	12.12.2019	Seege
Check	10.03.2020	Grind

mm ↔	Scale 1:2
General Tolerances DIN ISO 2768 cL	



Drawing No:

35-301

NSN: