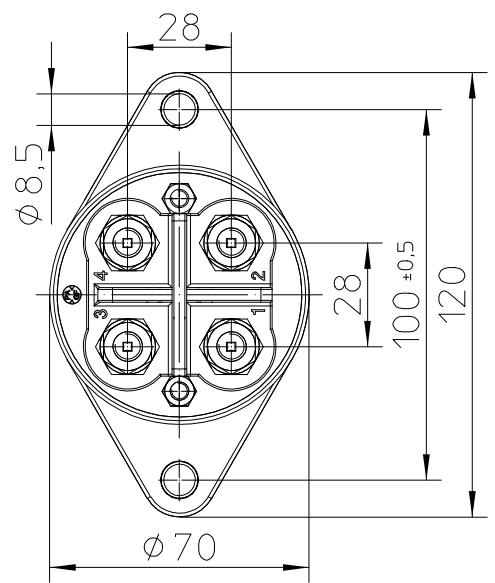
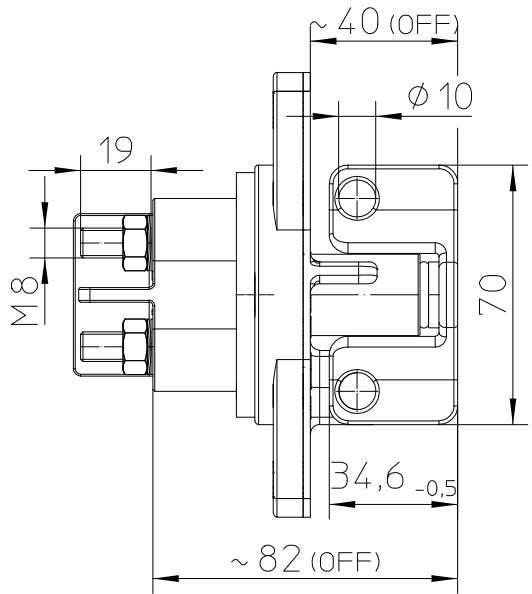
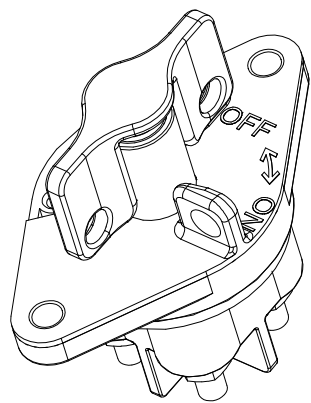
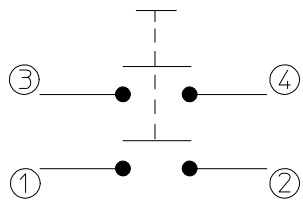


# Battery Disconnecter 2x250A



Circuit



Für diese Zeichnung behalten wir uns das Urheberrecht gemäß DIN ISO 16016 vor

Technical Data:

Case Material Cover.....	Vyncolit black
Base Plate.....	PA GF black
Switch Lever Material.....	PA GF yellow
Min. Insulation Resistance.....	100M0hm
Dielectric Withstanding Voltage.....	1050V-1min.
Max. Contact voltage drop during resistive load ..	150mV
Voltage .....	to 32VDC
Duty Rating .....	2x250A
Overload .....	2x500A-180sec.
.....	2x1000A-30sec.
Sealing .....	IP 67/ IEC 529
Vibration .....	4G/ 50-200Hz
Weight .....	~ 400g
Temperature Range .....	-40°C to +85°C
Wire Section (at nominal Load) .....	min. 70mm <sup>2</sup>
Mounting position .....	optional
Switch Lever .....	not removeable
Max. Torque (Main Contacts) .....	12-13Nm

	Datum	Name	Allgemeintoleranz	Maßstab		Zeichnungs-Nr.:
Erstel.	26.06.2019	Mielk	DIN ISO 2768 cL	1:2		35-224-031-GE-900
Bearb.	28.06.2019	Mielk				Vers.Nr.:
Freig.	28.06.2019	Grind				