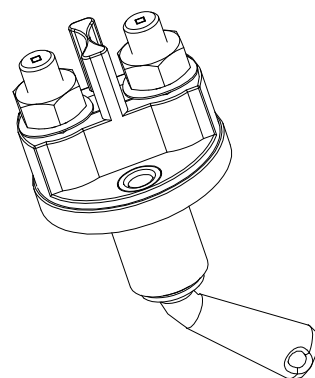
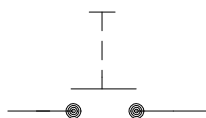


Circuit



1:2

Technical Data:

Case Material .....	PA GF black
Switch Lever Material .....	PA GF black
Min. Insulation Resistance .....	100MΩ
Dielectric Withstanding Voltage .....	1050V-1min.
Max. Contact Drop during Resistive Load .....	150mV
Voltage .....	to 32VDC
Duty Rating .....	200A
Overload .....	500A-180sec. 1000A-30sec.
Sealing .....	IP 67/ IEC 529
Vibration .....	4G / 50-2000Hz
Shock G-Level .....	6G / 11ms
Weight .....	~160 / 0.35 Pound
Temperature Range .....	-40°C to +85°C
Wire Section (at nominal Load) .....	min. 70mm <sup>2</sup>
Switch Lever .....	removeable (with keyhole sealing)
Max. Torque (Main Contacts) .....	15-20Nm

For this drawing we reserve the copyright in accordance with DIN ISO 16016

	Date	Name
Create	16.02.2009	Lugin
Edited	11.06.2019	Seege
Check	24.06.2019	Grind

mm ↔	Scale 1:1
General Tolerances DIN ISO 2768 cL	



Drawing No:	35-210-120-S
NSN:	