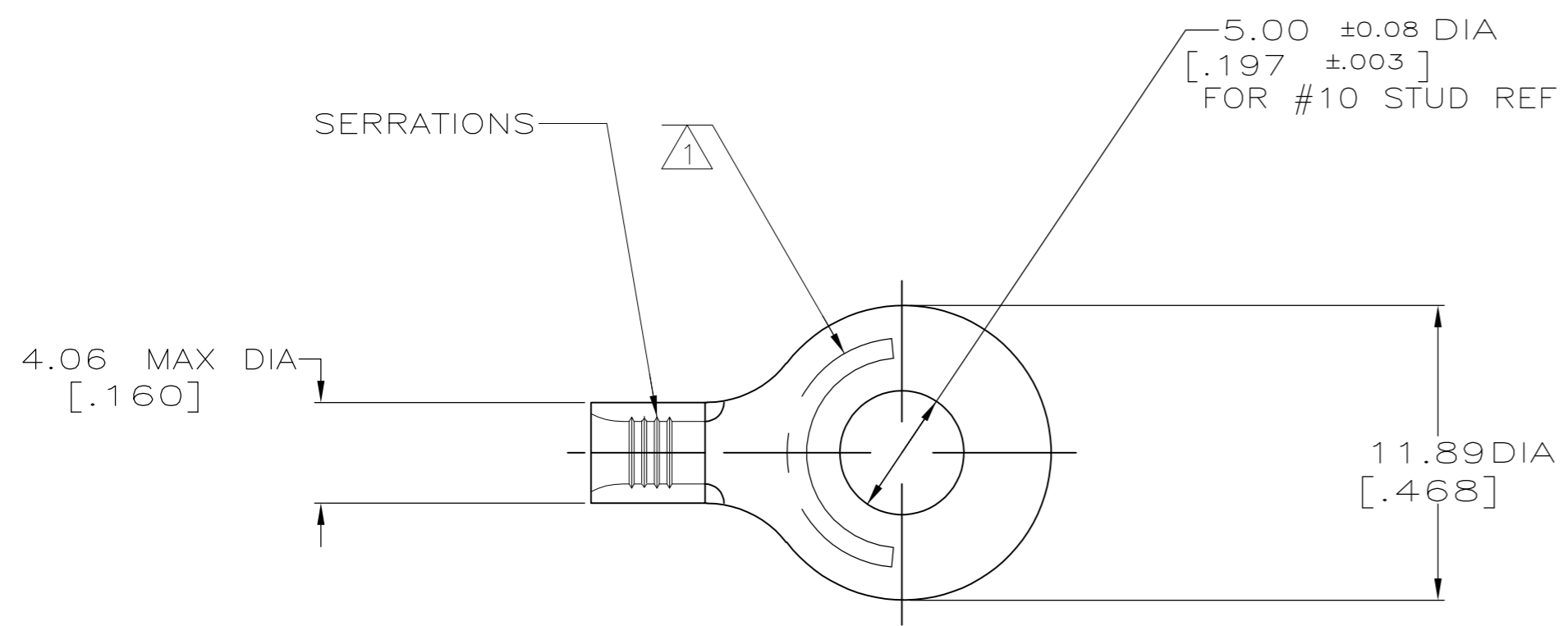


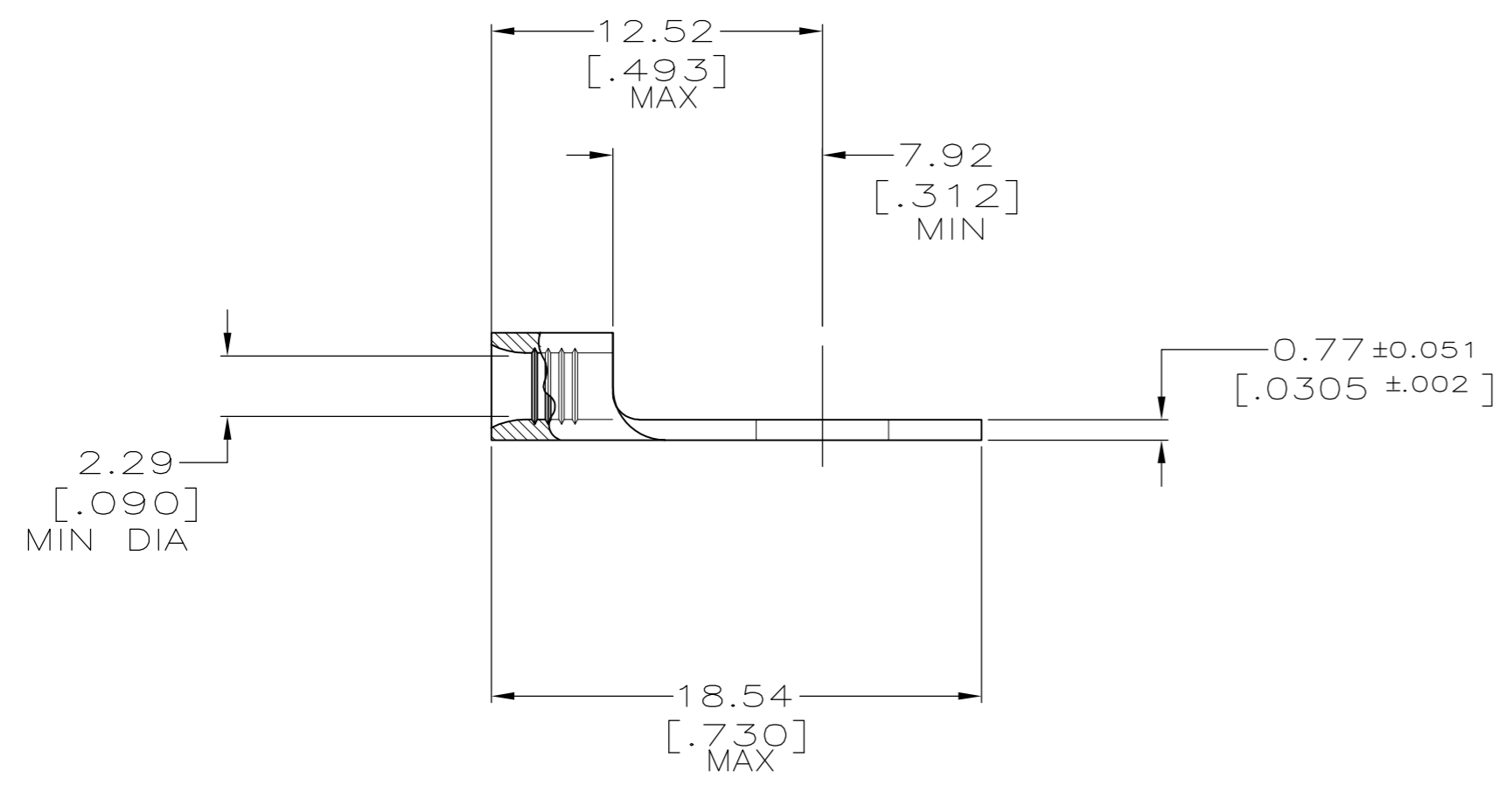
THIS DRAWING IS UNPUBLISHED. RELEASED FOR PUBLICATION
 © COPYRIGHT BY TYCO ELECTRONICS CORPORATION. ALL INTERNATIONAL RIGHTS RESERVED.

LOC	DIST	REVISIONS			
P	LTR	DESCRIPTION	DATE	DWN	APVD
G	14	0	REV & REDRAWN PER G-5651	04/24/92	DKS DAP



- 1 STAMP AMP 16-14* APPROX AS SHOWN
- 2 TIN PLATE 0.00381 [.000150] MIN THK PER ASTM B545
- 3 MAX RECOMMENDED OPERATION TEMP IS 170°C MAX

AMP WIRE RANGE	Listed FILE E13288	LR7189 Certified
16-14 AWG STRANDED	16-14 AWG STRANDED	16-14 AWG STRANDED



34895
 PART NO.

THIS DRAWING IS A CONTROLLED DOCUMENT.		DWN DK SCHRUM 04/24/92	Tyco Electronics Corporation Harrisburg, PA 17105-3608	
DIMENSIONS: MM [INCHES]		CHK DA PATTERSON 4/24/92	NAME JL MECKLEY 4/24/92	
TOLERANCES UNLESS OTHERWISE SPECIFIED:		APVD JL MECKLEY 4/24/92	PRODUCT SPEC UL - 486 A	
0 PLC ± -		APPLICATION SPEC NOT AVAILABLE		
1 PLC ± -		SIZE A2		
2 PLC ± 0.20 [.008]		CAGE CODE 00779		
3 PLC ± -		DRAWING NO C-34895		
4 PLC ± -		RESTRICTED TO -		
ANGLES ± -		SCALE 4:1		
FINISH TIN PLATE 2		SHEET 1 of 1		
MATERIAL COPPER ASTM B-152		REV 0		
CUSTOMER DRAWING		SCALE 4:1		