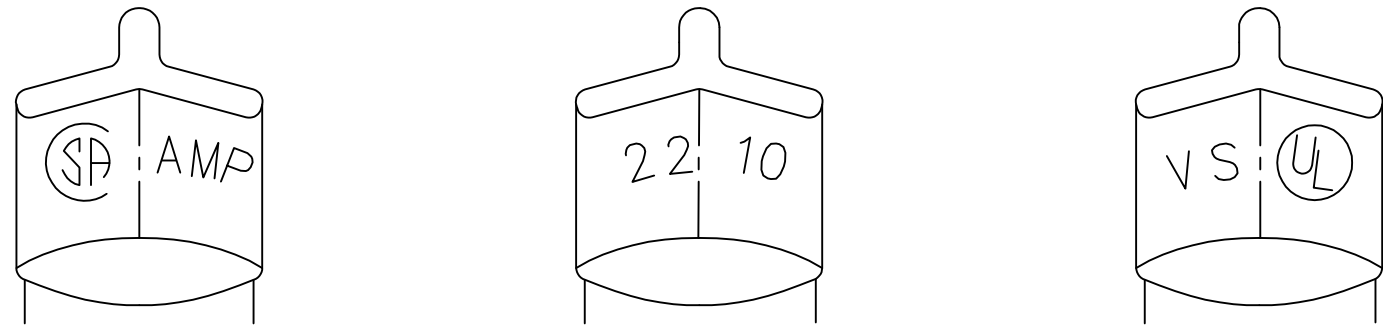


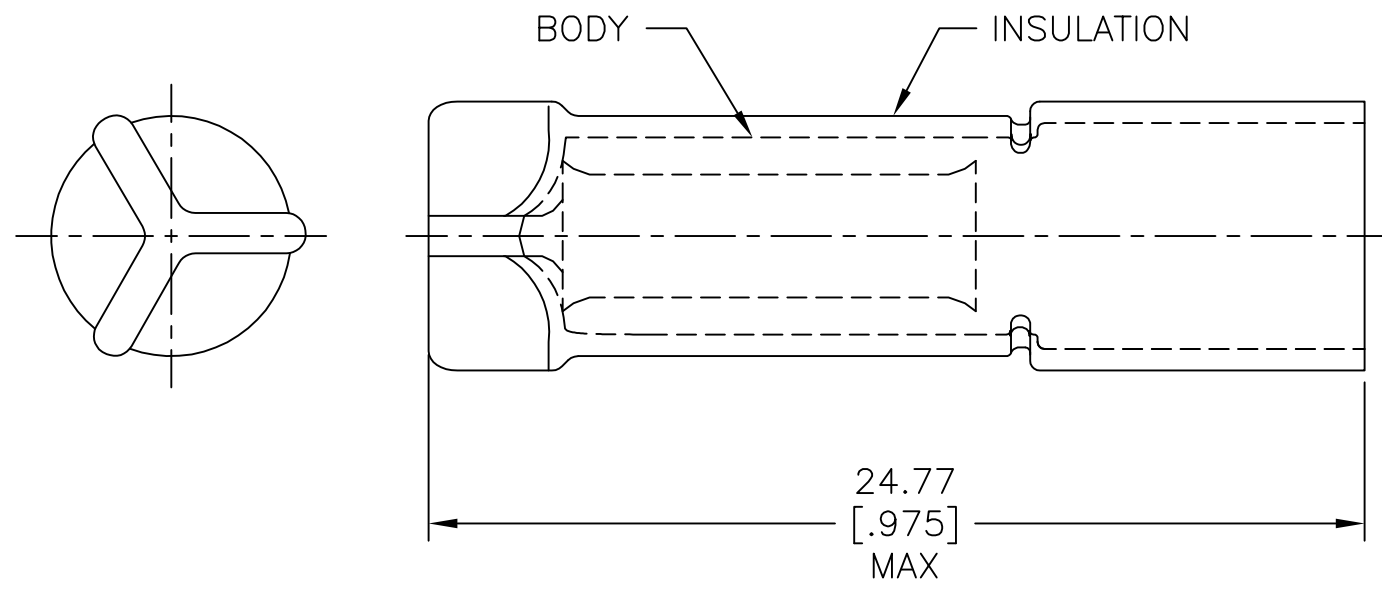
REVISIONS					
P	LTR	DESCRIPTION	DATE	DWN	APVD
	L	REV PER 0G3A-0256-04	08APR04	JR	MS
	L1	REVISED PER ECO-17-006294	13OCT2017	RS	DR



STAMPING DETAIL

AMP WIRE RANGE	Listed FILE E13288	LR7189 Certified
22-10 AWG SOLID OR STRANDED	22-10 AWG SOLID OR STRANDED	22-10 AWG SOLID OR STRANDED

- 1 FOR $\phi 5.97$ [$\phi .235$] MAX WIRE INSULATION.
- MATERIAL: BODY - COPPER
INSULATION - PVC
- FINISH: BODY - TIN PLATE PER ASTM B-545
INSULATION - YELLOW



500	LOOSE PC	34308
QTY	DESCRIPTION	PART NO

AMP INCORPORATED CUSTOMER SERVICE SYSTEMS		MAX RECOMMENDED OPERATING TEMPERATURE: 90°C [194°F]	THIS DRAWING IS A CONTROLLED DOCUMENT.		DWN G KRUPER 1/93	TE Connectivity					
FOR ADDITIONAL PRODUCT INFORMATION OR COPIES OF DRAWINGS AND TECHNICAL DOCUMENTS	PRODUCT INFORMATION CENTER 1-800-522-6752	VOLTAGE RATING: 300V MAX	DIMENSIONS: mm [INCHES]	TOLERANCES UNLESS OTHERWISE SPECIFIED:	CHK R HERSEY 1/93					NAME SPLICE, WIRE, CLOSED END 22-10 AWG	
FOR APPLICATION TOOLING INFORMATION	TOOLING ASSISTANCE CENTER 1-800-722-1111	CIRCULAR MIL AREA: 2.62-6.64mm ² [5180-13100] SOLID OR STRANDED		0 PLC ± - 1 PLC ± - 2 PLC ± 0.20 [.008] 3 PLC ± - 4 PLC ± - ANGLES ± -	APVD M ELLIS 1/93	PRODUCT SPEC					
FOR ORDER ENTRY	1-800-526-5142	THIS DRAWING IS A CONTROLLED DOCUMENT FOR AMP INCORPORATED. IT IS SUBJECT TO CHANGE AND THE CONTROLLING ENGINEERING ORGANIZATION SHOULD BE CONTACTED FOR THE LATEST REVISION.	MATERIAL	FINISH	APPLICATION SPEC	SIZE	CAGE CODE	DRAWING NO	RESTRICTED TO		
					WEIGHT	A3	00779	C-34308	-		
CUSTOMER DRAWING						SCALE	5:1	SHEET	1 OF 1	REV	L1