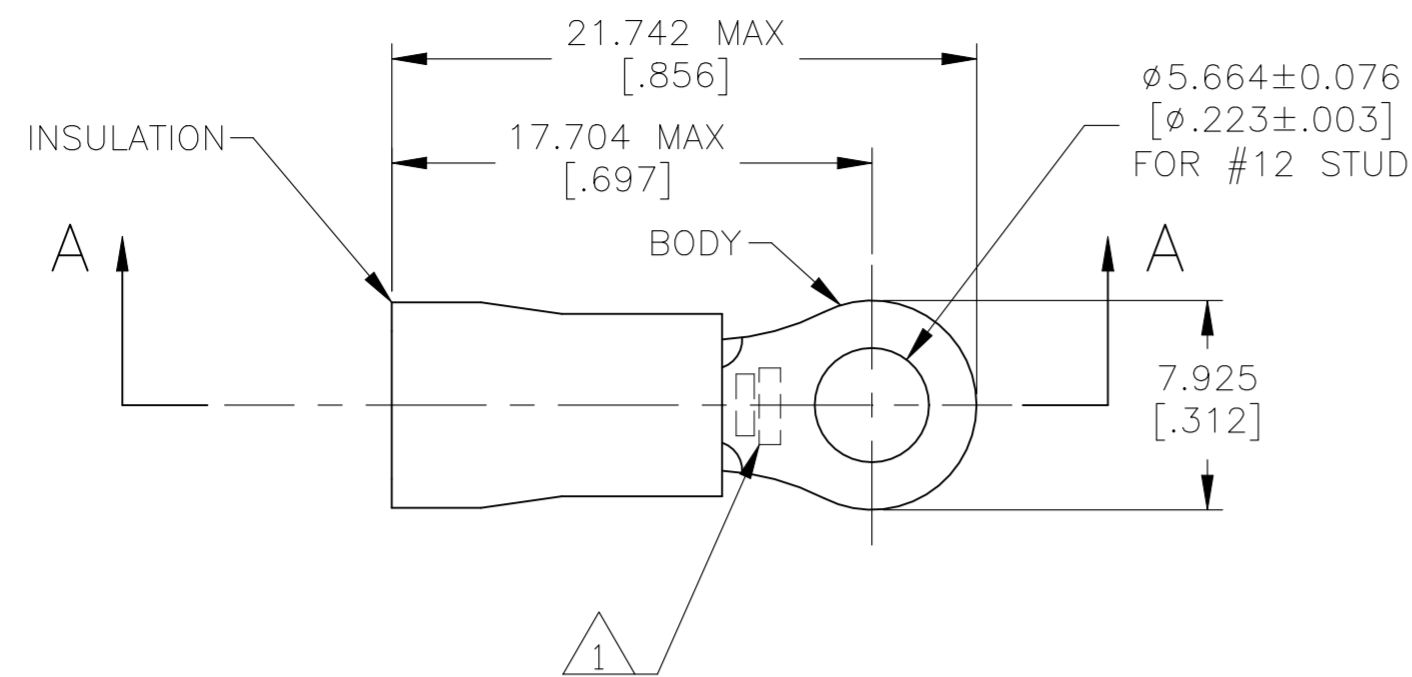
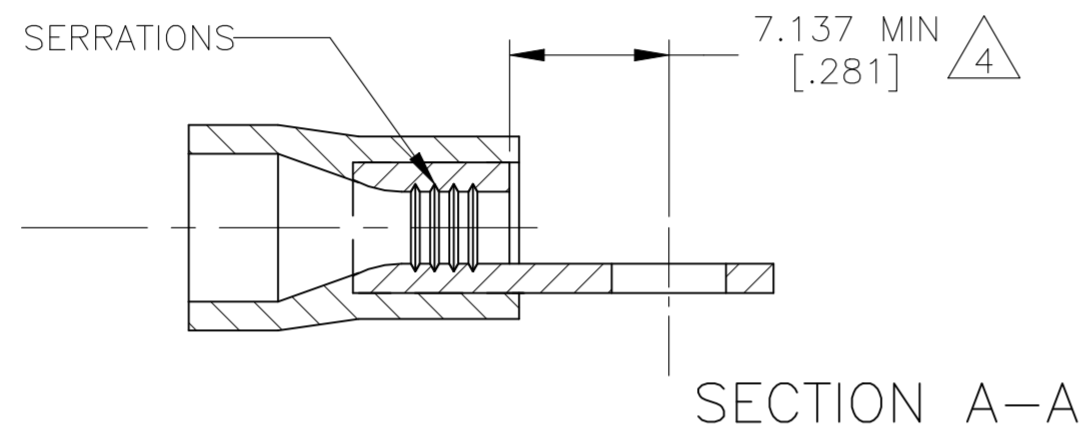


REVISIONS					
P	LTR	DESCRIPTION	DATE	DWN	APVD
R2		REV PER ECR-22-149320	18AUG2022	LP	DSC



AMP
WIRE RANGE
22-16 AWG
SOLID OR STRANDED

- 1 STAMP AMP 22-18* APPROX AS SHOWN
WIRE RANGE IS 22-16 AWG
- 2 WIRE INSULATION DIAMETER:
ø2.667[ø.105] TO ø3.556[ø.140]
- 3 BODY MATERIAL THK: 0.787±0.051[.031±.002]
- 4 DIMENSION APPLIES FROM EDGE OF METAL WIRE BARREL TO
CENTER OF STUD HOLE
- 5 SUPERSEDED BY 324104-1
- 6 MATERIAL:
BODY - COPPER PER ASTM B152
INSULATION - PVC
- 7 FINISH:
BODY - TIN PLATE 0.00254[.000100] MIN EXT THK PER ASTM B545
INSULATION COLOR - RED



LOOSE PIECE, PLASTIC BAG W/HEADER	100	5	7-342104-1
LOOSE PIECE, PLASTIC BOX	100	5	6-342104-1
TAPE & REEL	5000		2-342104-1
LOOSE PIECE	1000		342104-1
PACKAGE TYPE	QTY		PART NO

**AMP INCORPORATED
CUSTOMER SERVICE SYSTEMS**

MAX RECOMMENDED OPERATING
TEMPERATURE:
105°C [221°F]

FOR ADDITIONAL
PRODUCT INFORMATION OR
COPIES OF DRAWINGS
AND TECHNICAL DOCUMENTS

PRODUCT INFORMATION CENTER
1-800-522-6752

VOLTAGE RATING:
600V MAX
(1000V FIXTURE OR SIGN)

FOR APPLICATION
TOOLING INFORMATION

TOOLING ASSISTANCE CENTER
1-800-722-1111

WIRE CROSS SECTIONAL AREA RANGE:
0.26-1.65mm² [509-3260]
SOLID OR STRANDED

FOR ORDER ENTRY

1-800-526-5142

THIS DRAWING IS A CONTROLLED DOCUMENT FOR
AMP INCORPORATED. IT IS SUBJECT TO CHANGE
AND THE CONTROLLING ENGINEERING ORGANIZATION
SHOULD BE CONTACTED FOR THE LATEST REVISION.

THIS DRAWING IS A CONTROLLED DOCUMENT.		DWN jr ruth 02DEC05	TE Connectivity	
DIMENSIONS: mm [INCHES]		CHK T MICHELUTTI 02DEC05	NAME TE Connectivity	
TOLERANCES UNLESS OTHERWISE SPECIFIED:		APVD T MICHELUTTI 02DEC05	PRODUCT SPEC TERMINAL, RING TONGUE, PLASTI-GRIP, WIRE SIZE: 22-16 AWG	
0 PLC ± -		APPLICATION SPEC	SIZE A2	
1 PLC ± -		114-2161	CAGE CODE 00779	
2 PLC ± -		WEIGHT	DRAWING NO C=342104	
3 PLC ± 0.127[.005]			RESTRICTED TO	
4 PLC ± -			SCALE 5:1	
ANGLES ± -			SHEET 1 of 1	
MATERIAL 6		FINISH 7	REV R2	
CUSTOMER DRAWING				