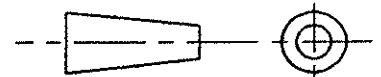
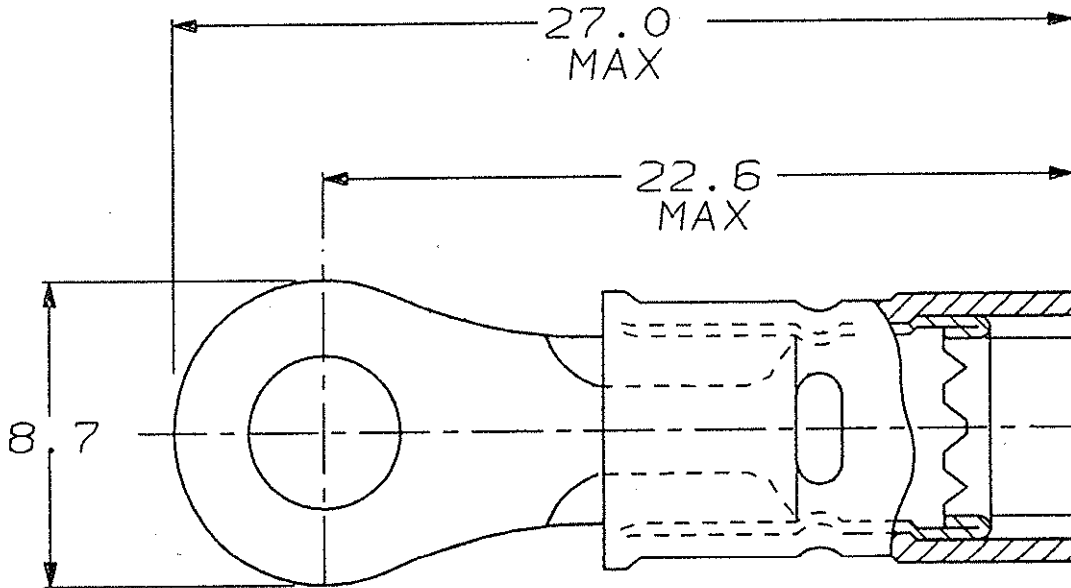


DO NOT SCALE

DIMENSIONS IN MM.




C.A.D. FILE CODE
5. C342061.2



1 WIRE INSUL DIA 3.81-6.35
2 TONGUE MAT'L THICKNESS 1.07 MAX

B

A

CUSTOMER DWG FOR REFERENCE ONLY				THIS INFORMATION IS CONFIDENTIAL AND IS DISCLOSED TO YOU ON CONDITION THAT NO FURTHER DISCLOSURE IS MADE BY YOU TO OTHER THAN AMP PERSONNEL WITHOUT WRITTEN AUTHORIZATION FROM AMP OF GREAT BRITAIN LTD.			
-	-	-	-	TOLERANCES UNLESS OTHERWISE STATED DEC ± 0.5 ANGLES ± 1°	DR. C. NIKER		17/01/95
-	-	-	-		CH. B. WILSON	APP. B. WILSON	
-	-	-	-		 TERMINAL HOUSE STANMORE MIDD.		
-	-	-	-				
-	-	-	-	NAME 16-14 HD PIDG R/T 4mm STUD NYLON INSULATION BLACK EXP.			
A	dr/tm	CG3A-0002-04	3/04	SCALE	LOC	SIZE	DWG.No.
2	B. WILSON	EB00-0014-95	17/01/95	NTS	E	A 4	C342061
REV	APPROVED	CHANGE No.	DATE				REV SHEET
							A 1/1