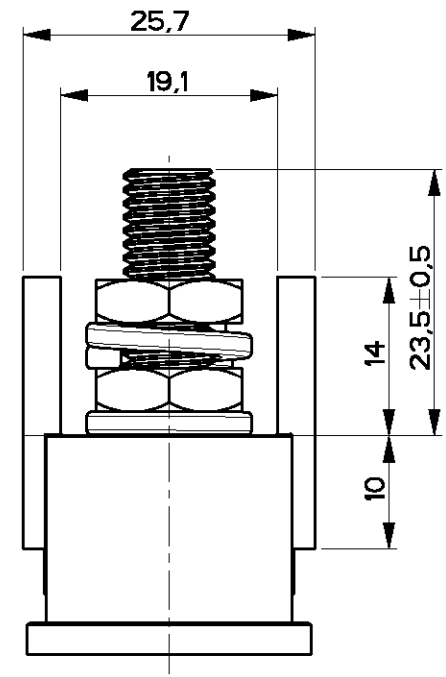
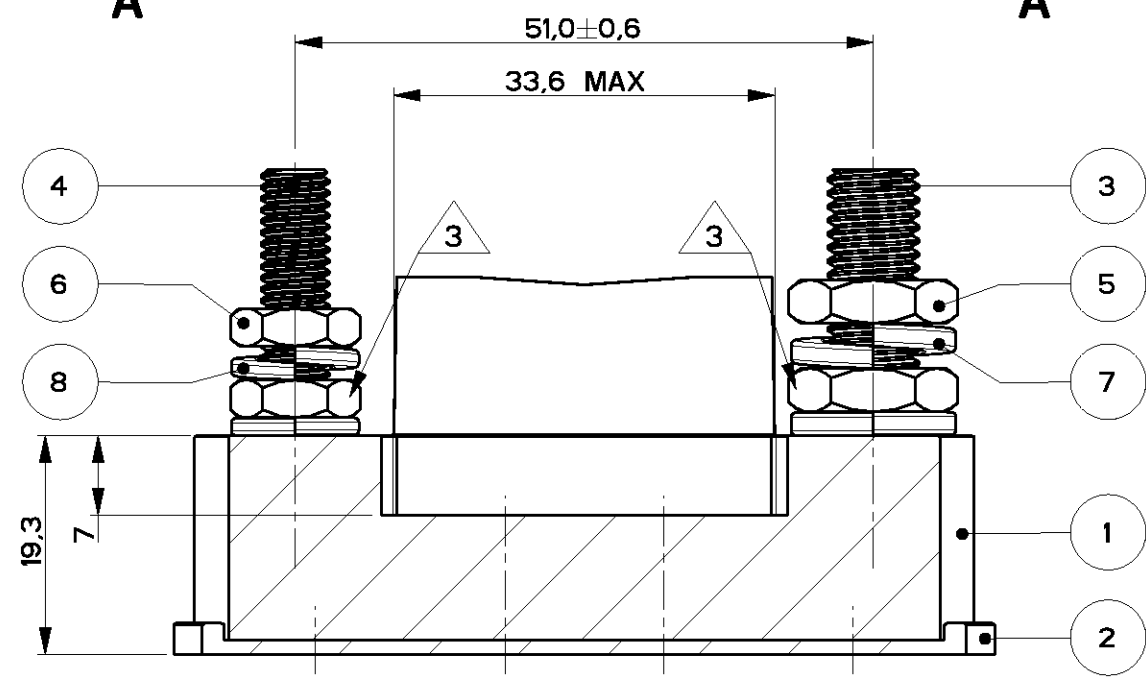
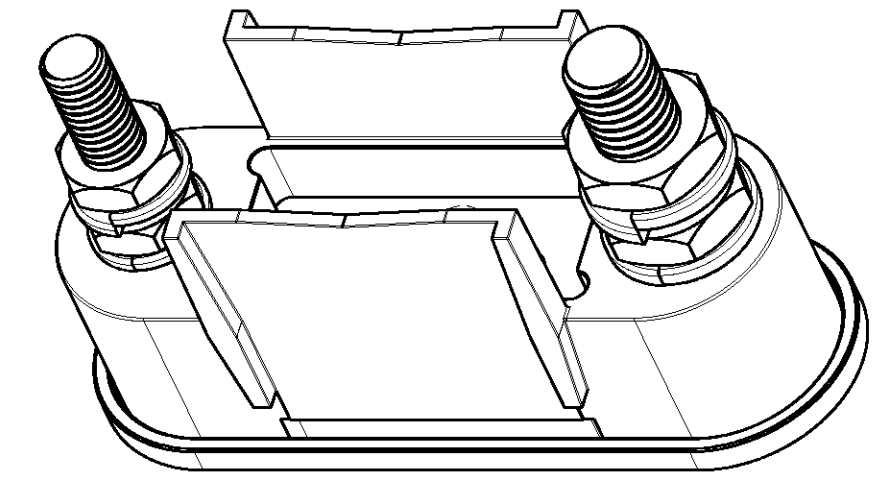
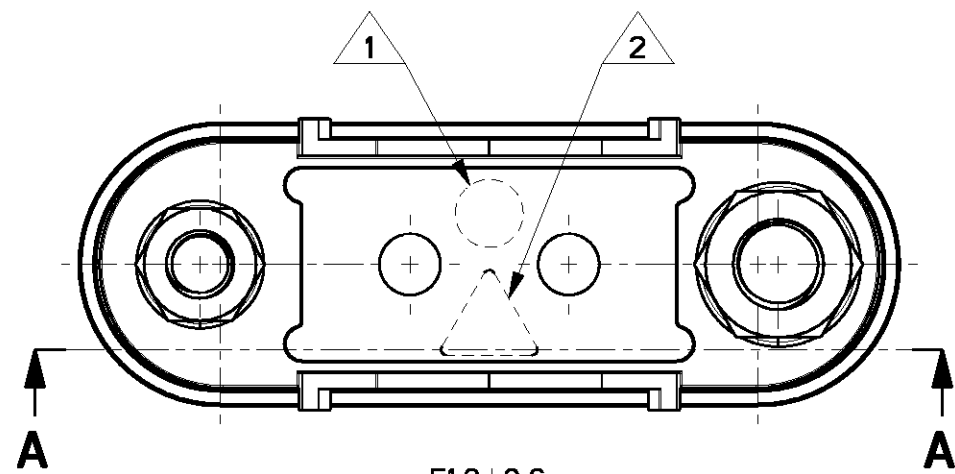


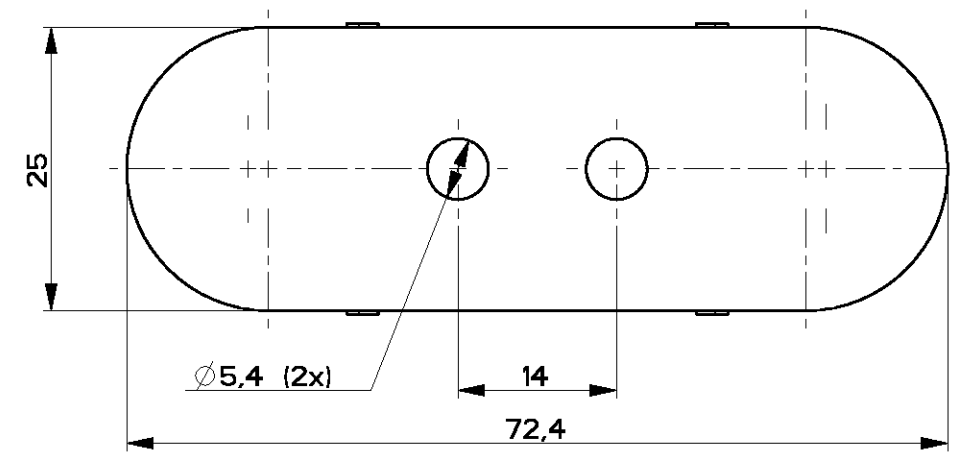
THIS DRAWING IS UNPUBLISHED. RELEASED FOR PUBLICATION
 © COPYRIGHT BY TYCO ELECTRONICS CORPORATION BY Tyco Electronics Nederland B.V. ALL RIGHTS RESERVED.

LOC	DIST	REVISIONS					
		P	LTR	DESCRIPTION	DATE	DWN	APVD
H	--		B	--	15AUG00		JvG
			C	--	07MAR01		JvG
			D	EH00-1060-01	28SEPT01		JJ
			E	ECR-07-029859	12DEC07	RvH	JJ
			F	ECR-08-031558	11DEC08	RvH	JJ



- 1 PRODUCTION DATE MARKING
- 2 MATERIAL MARKING
- 3 TORQUE FIRST NUT PUT ON AT TE PRODUCTION , RELAXATION EXCLUDED
 M6 NUT 6±1Nm CUSTOMER CHECK VALUE LOWER NUT 1,5Nm MAX.)
 M8 NUT 6±1Nm CUSTOMER CHECK VALUE LOWER NUT 1,5Nm MAX.)

0-338770-1 AS SHOWN



ITEM	DESCRIPTION	MATERIAL	COLOR	QTY
8	SPRINGWASHER M6	DIN 127B-M6-VZ	-	2
7	SPRINGWASHER M8	DIN 127B-M8-VZ	-	2
6	HEXAGONAL NUT M6 LOW	DIN 539B-M6-GGP	-	2
5	HEXAGONAL NUT M8 LOW	DIN 439B-M8-GGP	-	2
4	HEXAGONAL BOLT M6	DIN 933-M6x30-8.8	-	1
3	HEXAGONAL BOLT M8	DIN 933-M8x35-8.8	-	1
2	BOTTOM	PA6 30% GF	BLACK	1
1	POWERBLOCK	PA6 30% GF	BLACK	1

THIS DRAWING IS A CONTROLLED DOCUMENT FOR TYCO ELECTRONICS CORPORATION IT IS SUBJECT TO CHANGE AND THE CONTROLLING ENGINEERING ORGANIZATION SHOULD BE CONTACTED FOR THE LATEST REVISION.

DIMENSIONS:		TOLERANCES UNLESS OTHERWISE SPECIFIED:	
mm			
	0 PLC	±	
	1 PLC	±	
	2 PLC	±	
	3 PLC	±	
	4 PLC	±	
	ANGLES	±	
MATERIAL	FINISH		

DWN AvROESSEL
 CHK JvGRUNSVEN
 APVD JvGRUNSVEN
 PRODUCT SPEC
 APPLICATION SPEC
 WEIGHT

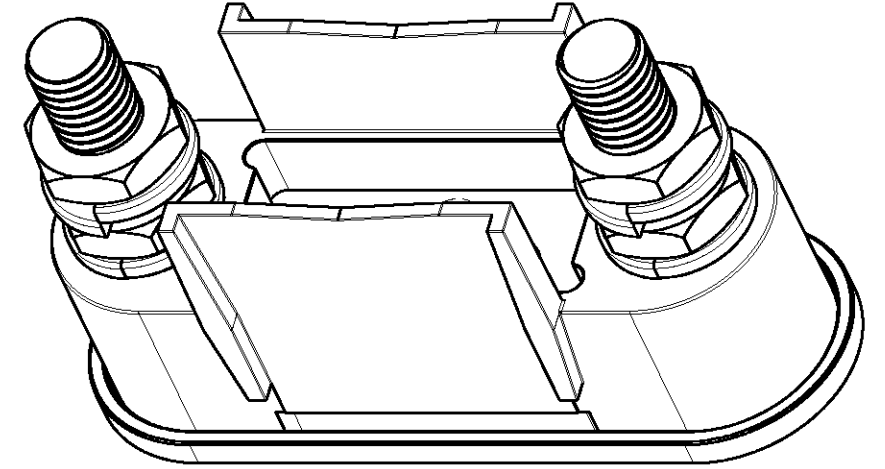
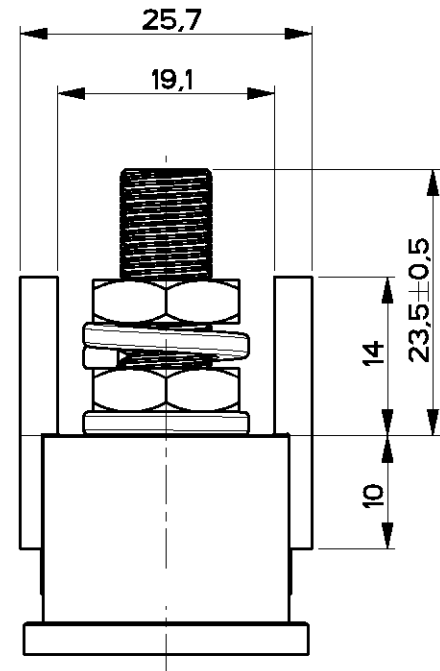
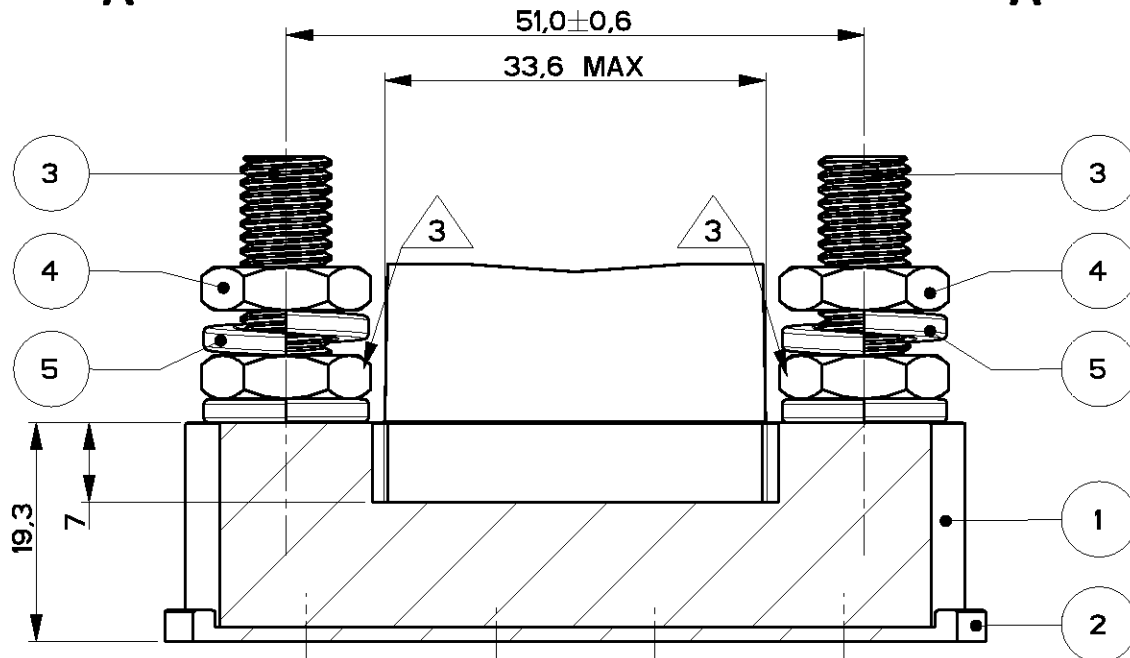
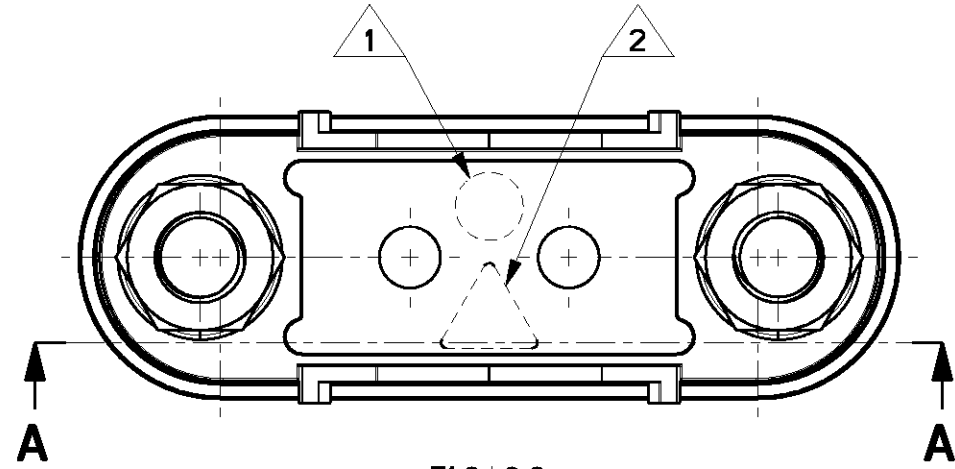
Tyco Electronics Tyco Electronics Corporation 's-Hertogenbosch, Nederland

NAME POWERLOCK ASS.Y

SIZE A3 CAGE CODE 00779 DRAWING NO C-338770 RESTRICTED TO

CUSTOMER DRAWING SCALE 3:2 SHEET 1 OF 3 REV F

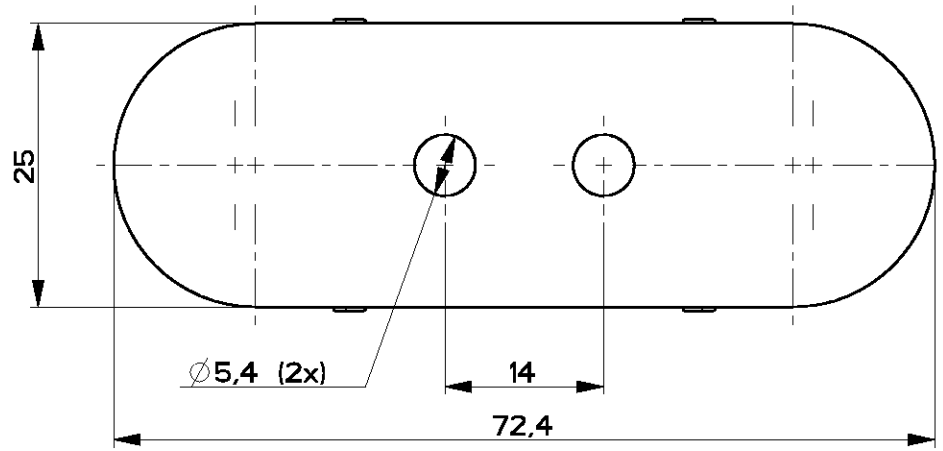
LOC	DIST	REVISIONS					
H	-	P	LTR	DESCRIPTION	DATE	DWN	APVD
SEE SHEET 1							



NOTES:

- 1 PRODUCTION DATE MARKING
- 2 MATERIAL MARKING
- 3 TORQUE FIRST NUT PUT ON AT TE PRODUCTION , RELAXATION EXCLUDED M8 NUT 6±1Nm CUSTOMER CHECK VALUE LOWER NUT 1,5Nm MAX.)

SECTION A-A



0-338770-2 AS SHOWN

ITEM	DESCRIPTION	MATERIAL	COLOR	QTY
5	SPRINGWASHER M8	DIN 127B-M8-VZ	-	4
4	HEXAGONAL NUT M8 LOW	DIN 439B-M8-GGP	-	4
3	HEXAGONAL BOLT M8	DIN 933-M8x35-8.8	-	2
2	BOTTOM	PA6 30% GF	BLACK	1
1	POWERBLOCK	PA6 30% GF	BLACK	1

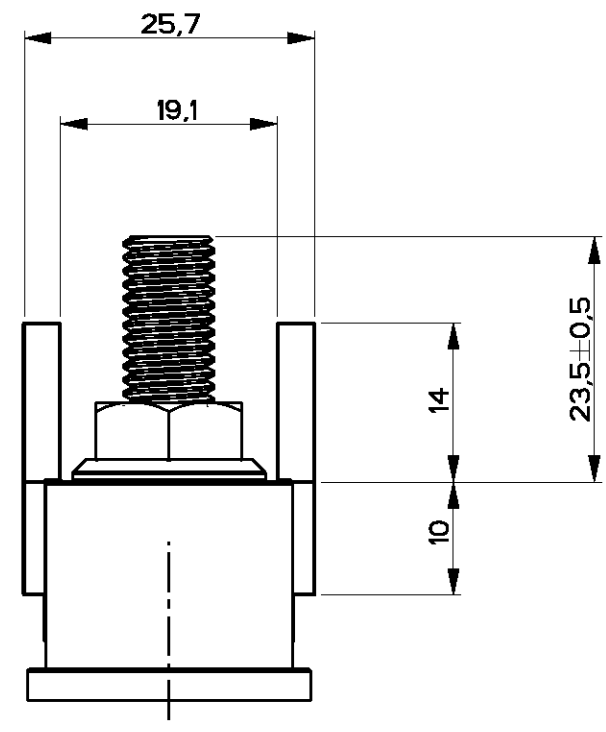
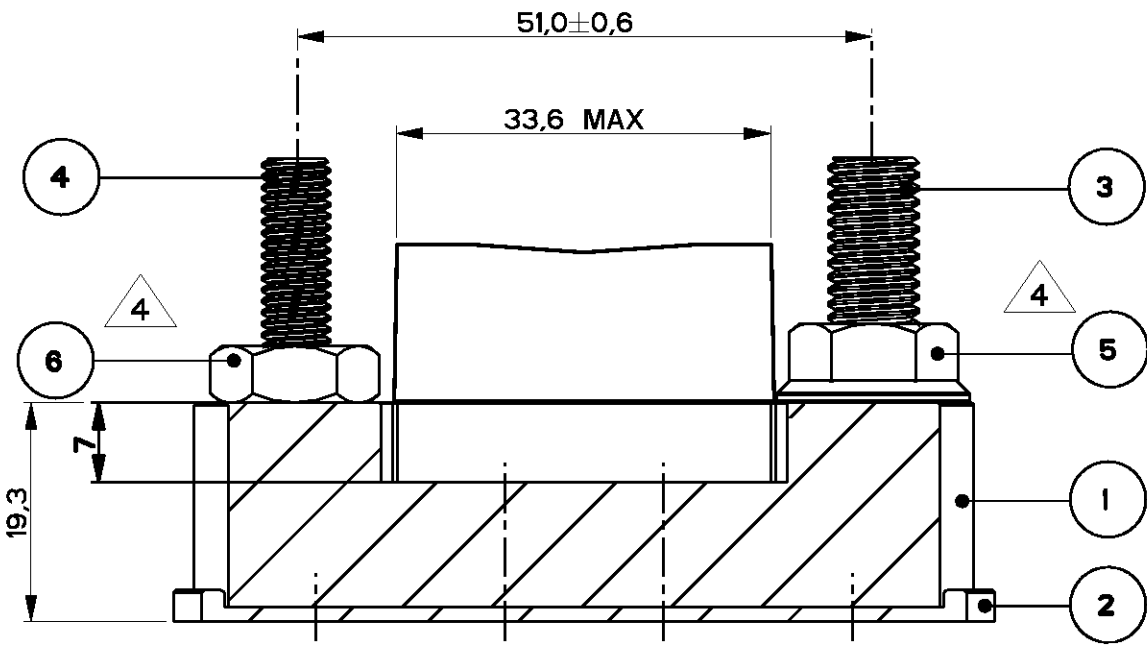
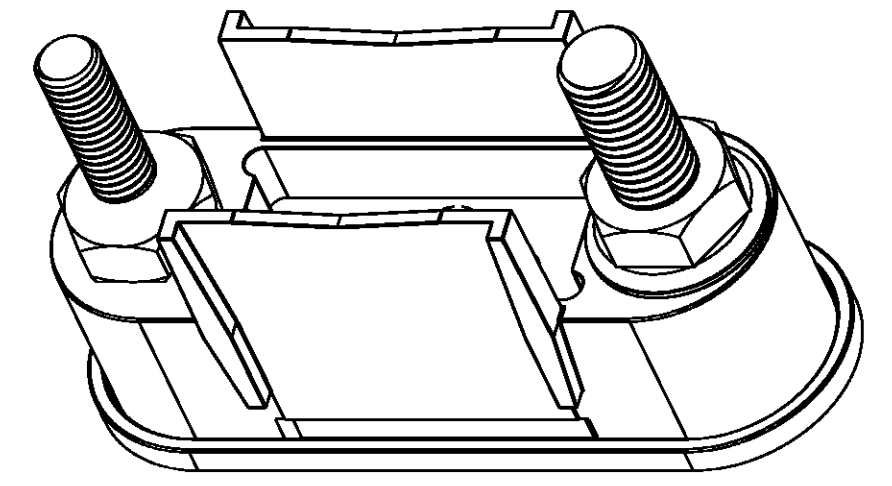
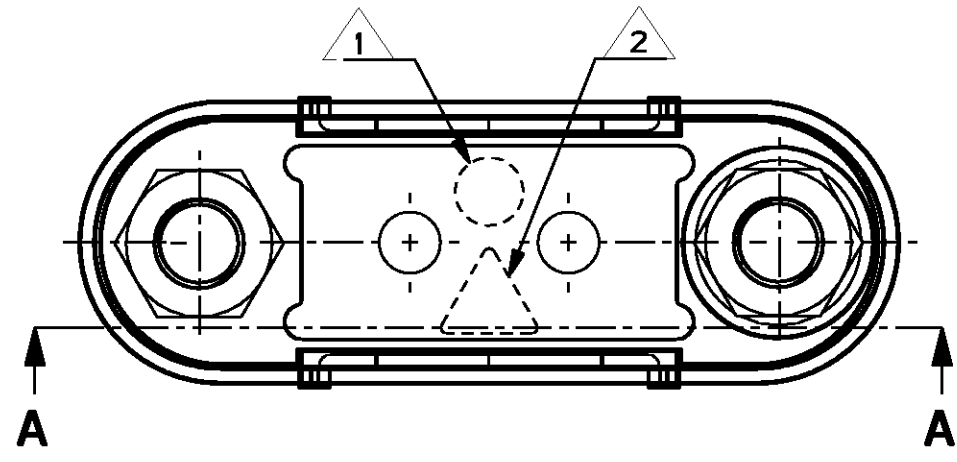
THIS DRAWING IS A CONTROLLED DOCUMENT FOR TYCO ELECTRONICS CORPORATION IT IS SUBJECT TO CHANGE AND THE CONTROLLING ENGINEERING ORGANIZATION SHOULD BE CONTACTED FOR THE LATEST REVISION.

DIMENSIONS:	TOLERANCES UNLESS OTHERWISE SPECIFIED:
mm	
0 PLC	±
1 PLC	±
2 PLC	±
3 PLC	±
4 PLC	±
ANGLES	±
MATERIAL	FINISH

DWN AvROESSEL	Tyco Electronics Corporation 's-Hertogenbosch, Nederland
CHK JvGRUNSVEN	
APVD JvGRUNSVEN	NAME POWERBLOCK ASS'Y
PRODUCT SPEC	
APPLICATION SPEC	
WEIGHT	RESTRICTED TO
SIZE: A3 CAGE CODE: 00779 DRAWING NO: C-338770	
CUSTOMER DRAWING SCALE: 3:2 SHEET 2 OF 3 REV F	

THIS DRAWING IS UNPUBLISHED. RELEASED FOR PUBLICATION
 © COPYRIGHT - BY TYCO ELECTRONICS CORPORATION. ALL RIGHTS RESERVED.

LOC	DIST	REVISIONS					
H	-	P	LTR	DESCRIPTION	DATE	DWN	APVD
SEE SHEET 1							

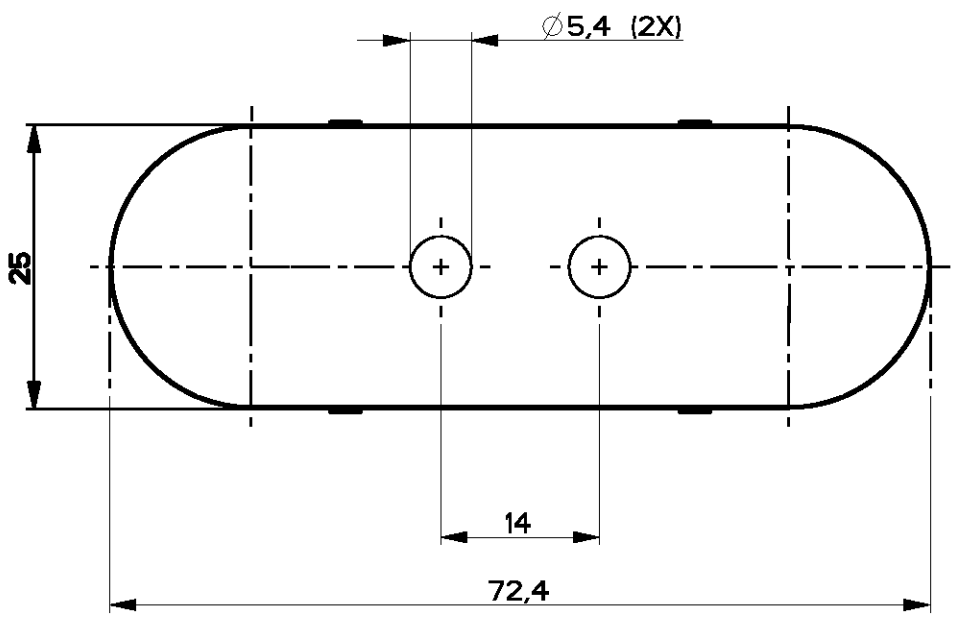


NOTES:

- 1 PRODUCTION DATE MARKING
- 2 MATERIAL MARKING
- 3 TORQUE NUT PUT ON AT TE PRODUCTION , RELAXATION EXCLUDED
M6 NUT 6±1Nm (CUSTOMER CHECK VALUE LOWER NUT 1,5Nm MAX.)
M8 NUT 6±1Nm (CUSTOMER CHECK VALUE LOWER NUT 1,5Nm MAX.)
- 4 NUT FINISH: YELLOW PASSIFATED, 5-8 u

SECTION A-A

0-338770-3 AS SHOWN



ITEM	DESCRIPTION	MATERIAL	COLOR	QTY
6	HEXAGONAL NUT M6 HIGH 5MM/13/8.8	-	-	1
5	HEXAGONAL NUT M8 FLANGE /13/8.8	-	-	1
4	HEXAGONAL BOLT M6	DIN 933-M6x30-8.8	-	1
3	HEXAGONAL BOLT M8	DIN 933-M8x35-8.8	-	1
2	BOTTOM	PA6 30% GF	BLACK	1
1	POWERBLOCK	PA6 30% GF	BLACK	1

THIS DRAWING IS A CONTROLLED DOCUMENT FOR TYCO ELECTRONICS CORPORATION
 IT IS SUBJECT TO CHANGE AND THE CONTROLLING ENGINEERING ORGANIZATION
 SHOULD BE CONTACTED FOR THE LATEST REVISION.

DIMENSIONS:	TOLERANCES UNLESS OTHERWISE SPECIFIED:
mm	
0 PLC	±
1 PLC	±
2 PLC	±
3 PLC	±
4 PLC	±
ANGLES	±
MATERIAL	FINISH

DWN RvHEUVEN	12DEC07	Tyco Electronics Corporation 's-Hertogenbosch, Nederland
CHK JvGRUNSVEN	12DEC07	
APVD JvGRUNSVEN	12DEC07	
PRODUCT SPEC APPLICATION SPEC WEIGHT		NAME POWERBLOCK ASS'Y
CUSTOMER DRAWING		SIZE: A3 CAGE CODE: 00779 DRAWING NO: C-338770 RESTRICTED TO:
SCALE: 3:2		SHEET: 3 OF 3 REV: F