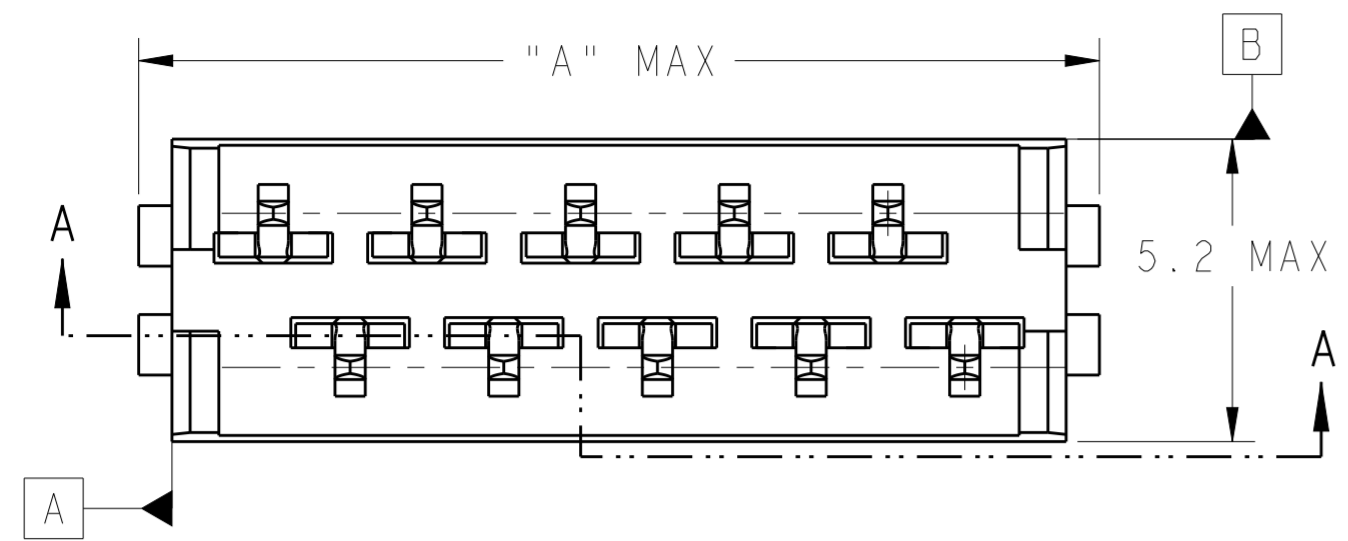
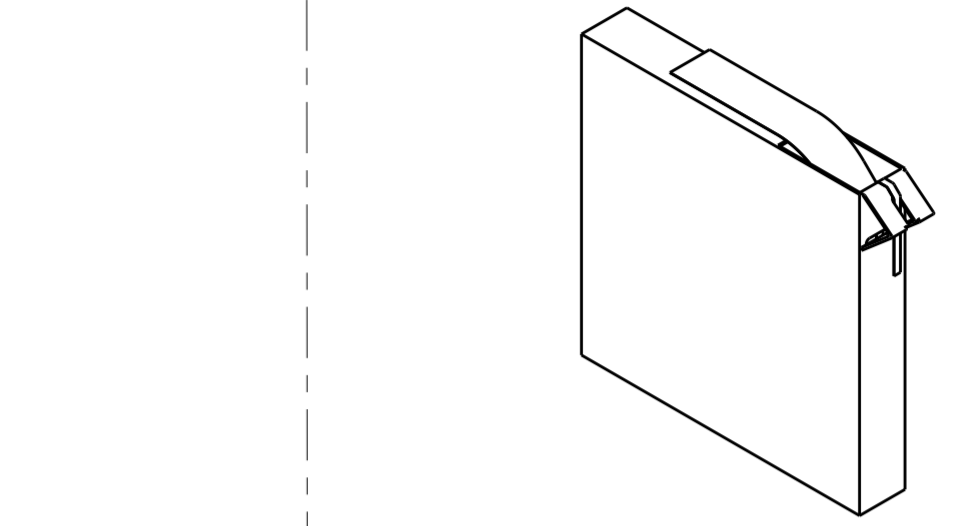
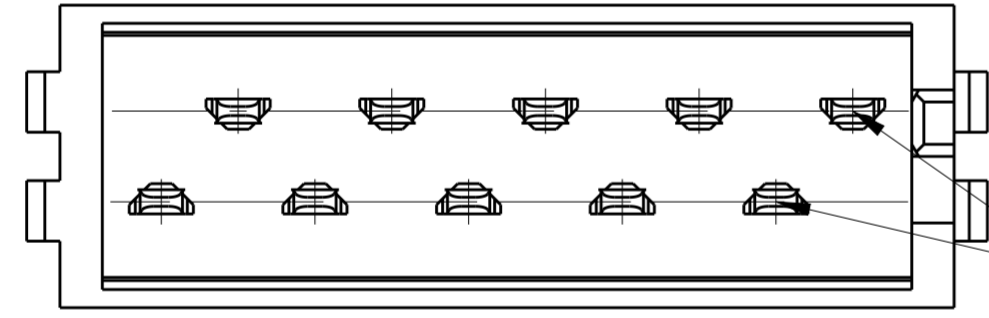
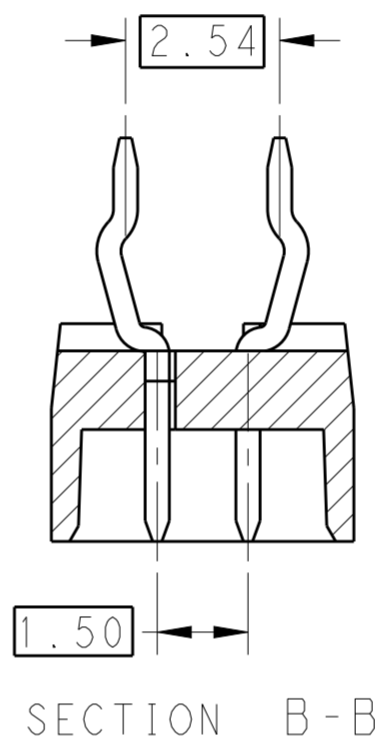
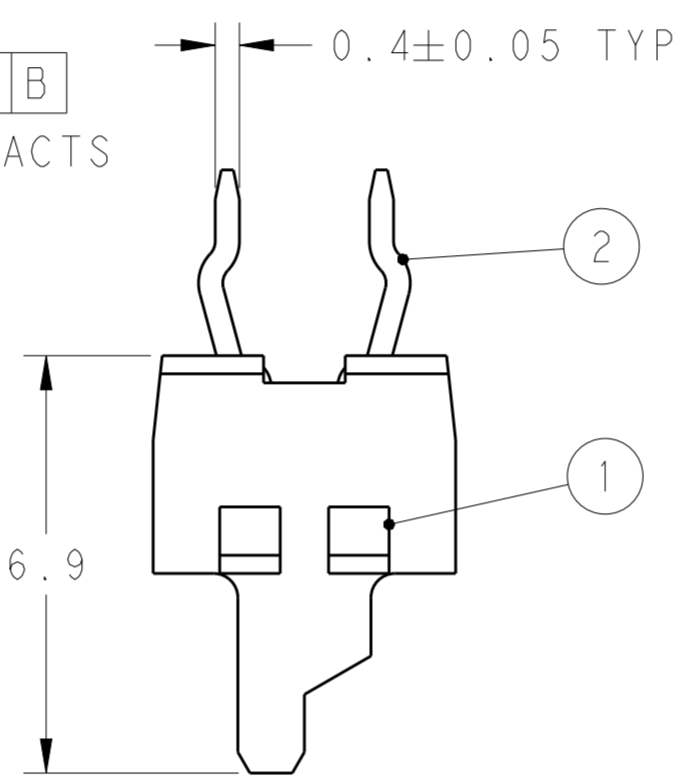
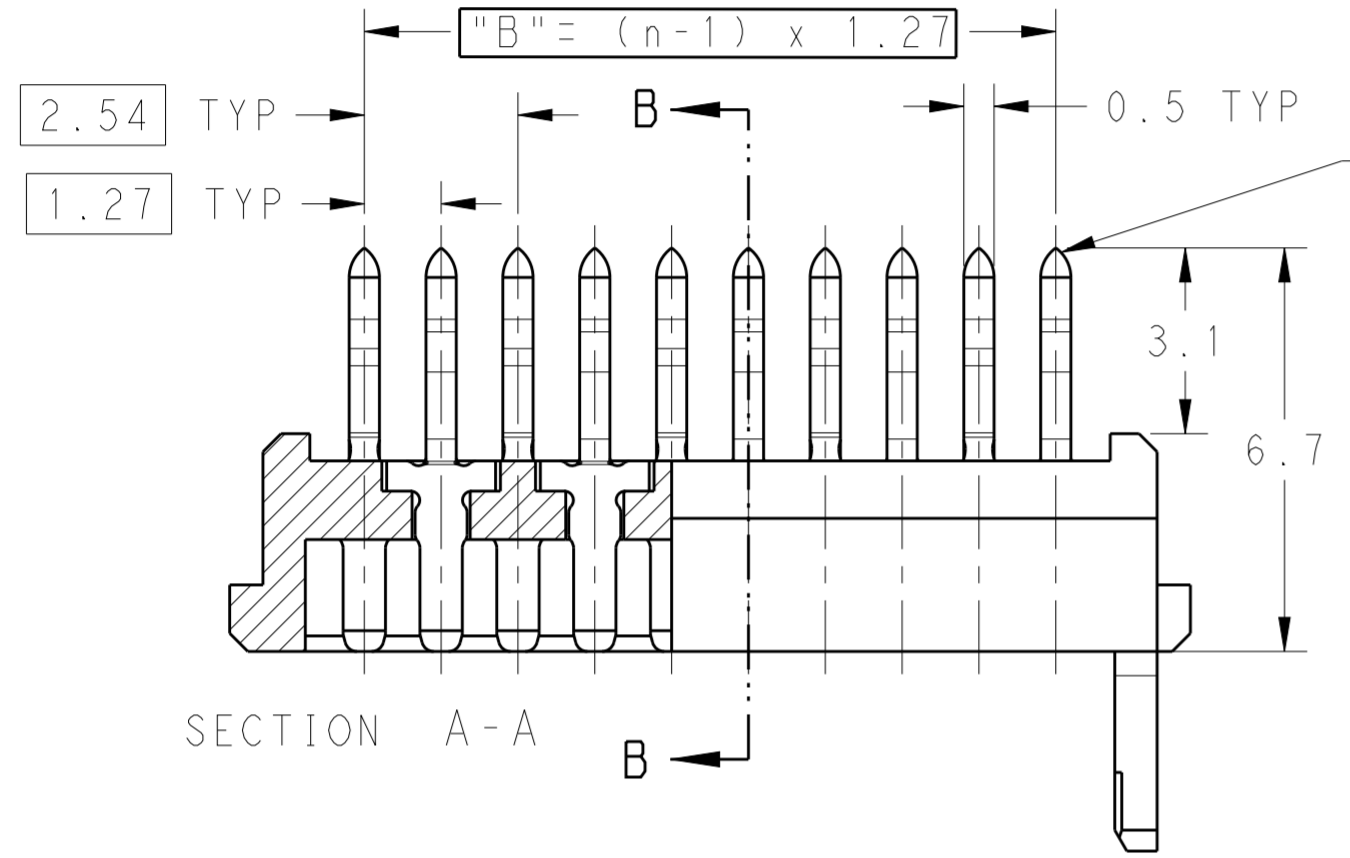


THIS DRAWING IS UNPUBLISHED. RELEASED FOR PUBLICATION 2011  
 © COPYRIGHT 2011 ALL RIGHTS RESERVED.

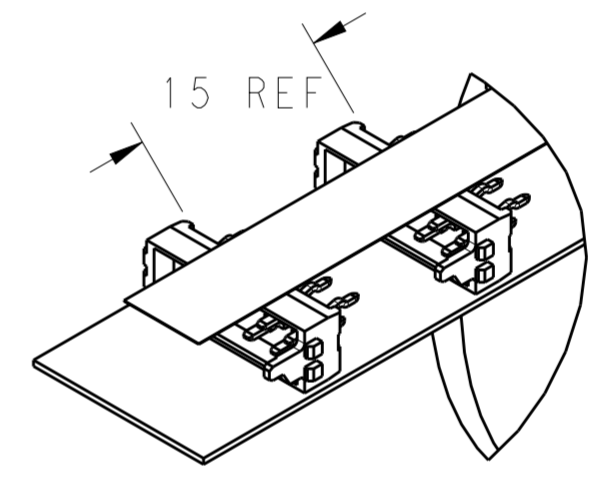
LOC		DIST		REVISIONS			
P	LTR	DESCRIPTION	DATE	DWN	APVD		
	D1	ADHESIVE TAPE WIDTH CHANGED BACK TO 6mm	08FEB2016	SS	PS		



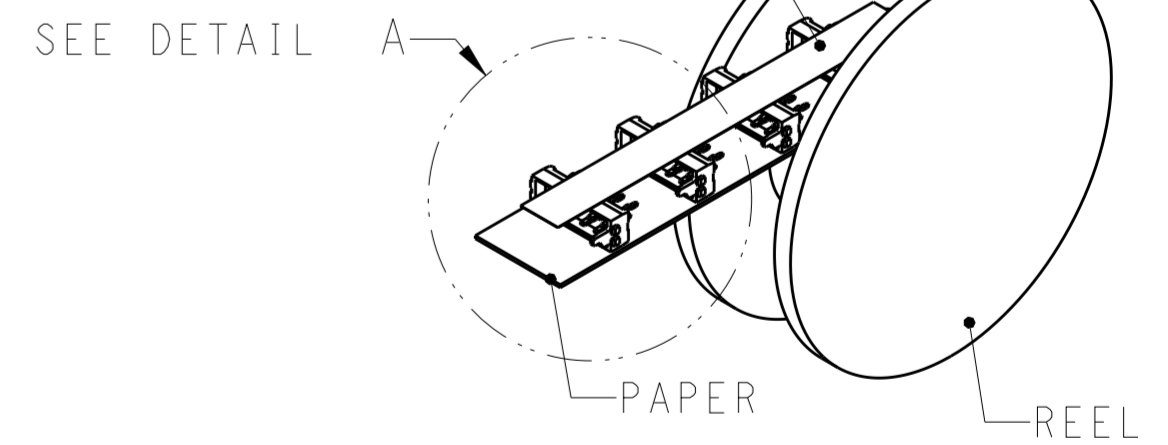
TOOLED	PART NUMBER REEL PACKAGING	PART NUMBER BOX PACKAGING	NUMBER OF POSITIONS	"A" MAX	"B"
NO	0-338531-4	7-338531-4	4	8.3	3.81
NO	0-338531-6	7-338531-6	6	10.9	6.35
YES	0-338531-8	7-338531-8	8	13.4	8.89
NO	1-338531-0	8-338531-0	10	15.9	11.43
NO	1-338531-2	8-338531-2	12	18.5	13.97
NO	1-338531-4	8-338531-4	14	21.0	16.51
NO	1-338531-6	8-338531-6	16	24.0	19.05
NO	1-338531-8	8-338531-8	18	26.1	21.59
NO	2-338531-0	9-338531-0	20	28.6	24.13



SCALE 1:4  
 BOX PACKAGING  
 250 PARTNUMBERS PER BOX  
 FOR ALL PARTNUMBERS.

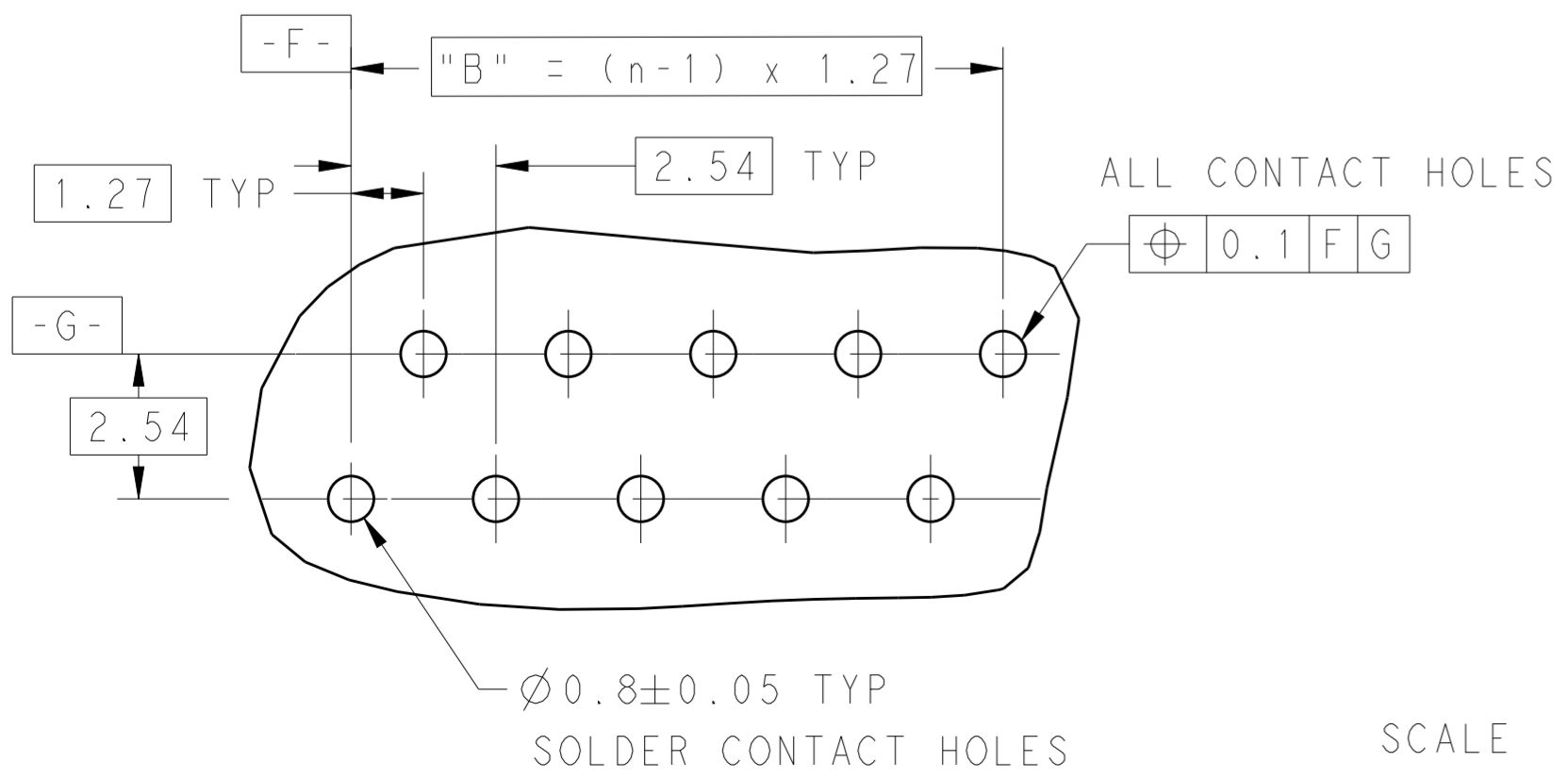


DETAIL A  
 SCALE 2:1

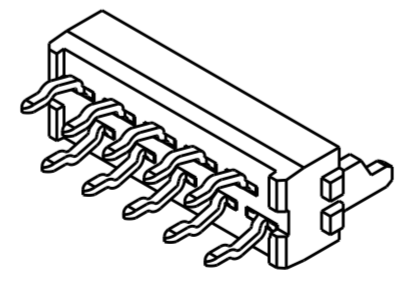


REEL PACKAGING  
 DEREELING DIRECTION AND CONNECTOR POSITION  
 2500 CONNECTORS PER REEL FOR ALL PART NUMBERS

PC-BOARD HOLE LAYOUT  
 (COMPONENT SIDE OF BOARD SHOWN)



SCALE 8:1



SCALE 3:1

SHOWN IS A 10 POSITION CONNECTOR.

2	MALE CONTACT	TIN BRASS	3-5 µm Sn over 0.5 µm min Ni
1	HOUSING	G.F POLYESTER, PBT	RED
ITEM NO.	DESCRIPTION	MATERIAL	FINISH / COLOR

THIS DRAWING IS A CONTROLLED DOCUMENT.

DIMENSIONS:	TOLERANCES UNLESS OTHERWISE SPECIFIED:	DWN	22 JUN 98
mm	0 PLC ±	CHK	J.v.LIEMPT
	1 PLC ±0.1	APVD	M.v.DRIEL
	2 PLC ±0.20	PRODUCT SPEC	
	3 PLC ±	APPLICATION SPEC	108-19052
	4 PLC ±	WEIGHT	
	ANGLES ±	SIZE	A200779
	FINISH ±	CAGE CODE	C-338531
MATERIAL	SEE TABLE	DRAWING NO	
		RESTRICTED TO	
		SCALE	8:1
		SHEET	1 OF 1
		REV	D1

CUSTOMER DRAWING