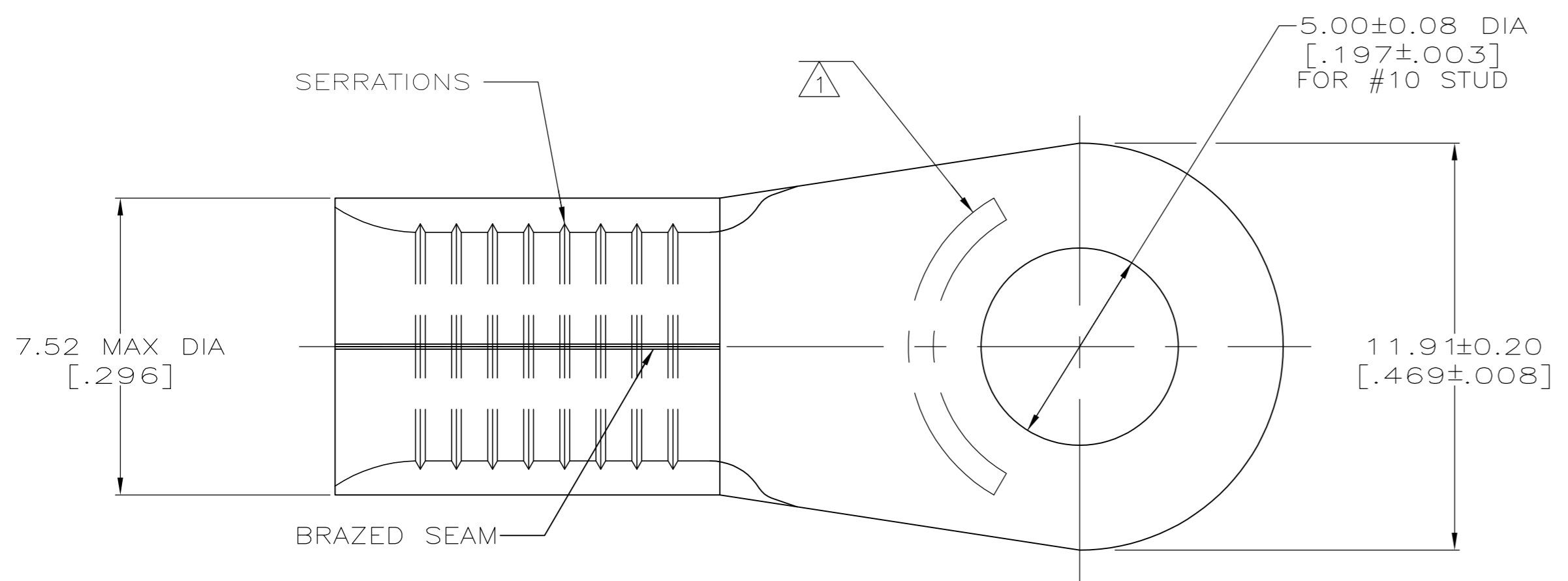
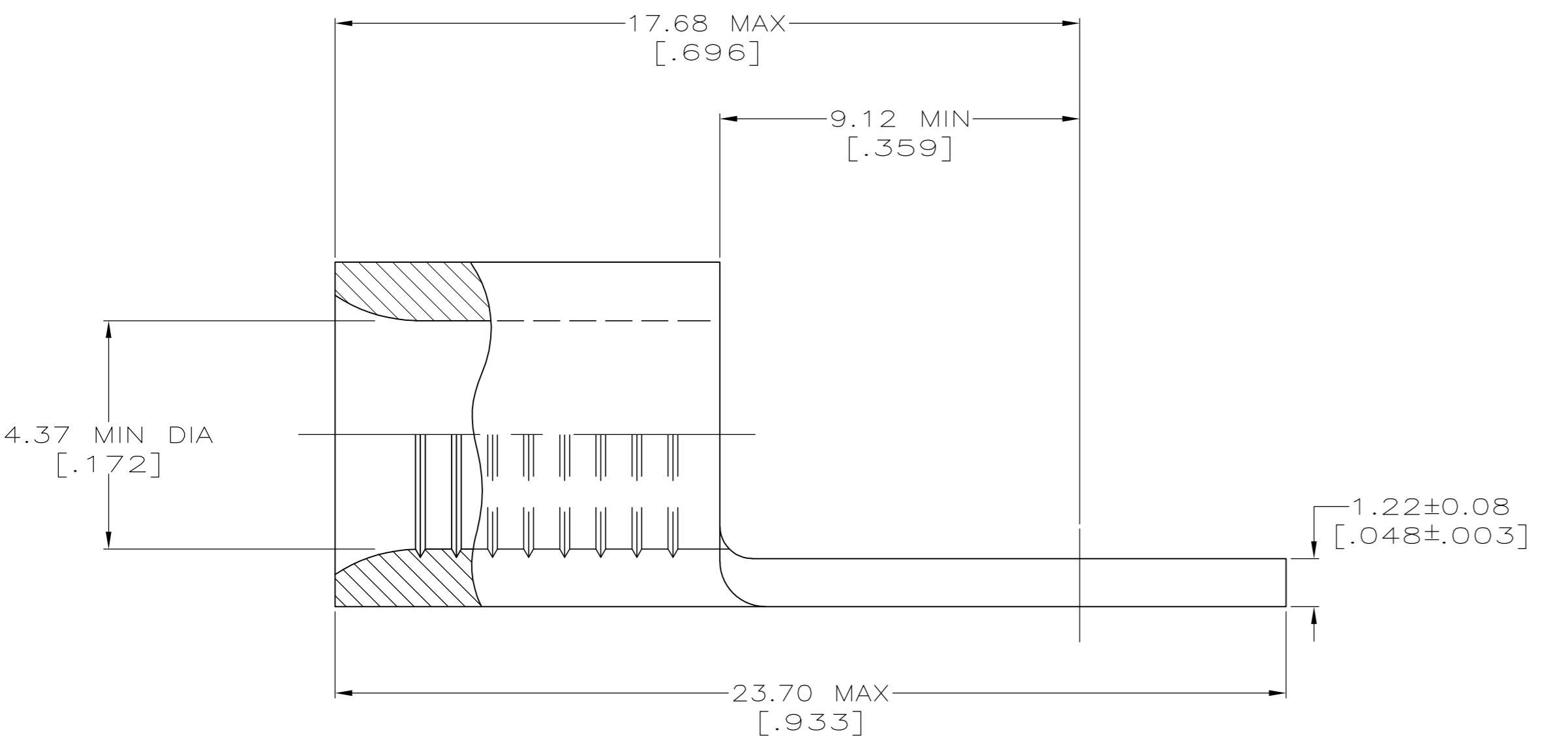


THIS DRAWING IS UNPUBLISHED. RELEASED FOR PUBLICATION
 © COPYRIGHT BY TYCO ELECTRONICS CORPORATION. ALL INTERNATIONAL RIGHTS RESERVED.

LOC	DIST	REVISIONS			DAP		
G	14	P	LTR	DESCRIPTION	DATE	DWN	APVD
		F1		REV PER ECR 09-027810	29DEC09	JR	TM



AMP WIRE RANGE	Listed FILE E13288	LR7189 Certified
8 AWG SOLID OR STRANDED	8 AWG STRANDED	8 AWG SOLID OR STRANDED



- STAMP AMP 8* APPROX AS SHOWN
- COPPER PER ASTM B-152, ANNEALED

MAX RECOMMENDED OPERATING TEMPERATURE: 170°C MAX	THIS DRAWING IS A CONTROLLED DOCUMENT.	DWN	DK SCHRUM	7/30/93	Tyco Electronics Corporation Harrisburg, PA 17105-3608	LOOSE PIECE	328601				
		CHK	DA PATTERSON	8/2/93		PACKAGE TYPE	PART NO.				
VOLTAGE RATING: N/A	DIMENSIONS: MM [INCHES]	TOLERANCES UNLESS OTHERWISE SPECIFIED:	APVD	JL MECKLEY	8/2/93	NAME	TERMINAL, RING TONGUE, SOLISTRAND				
CIRCULAR MIL AREA: 6.64-10.5mm² [13,100-20,800] SOLID OR STRANDED		0 PLC ± - 1 PLC ± - 2 PLC ± - 3 PLC ± - 4 PLC ± - ANGLES ± -	PRODUCT SPEC			SIZE	CAGE CODE	DRAWING NO	RESTRICTED TO		
	MATERIAL		FINISH	SEE TABLE	WEIGHT	A2	00779	C=328601			
					CUSTOMER DRAWING	SCALE	8:1	SHEET	1 of 1	REV	F1

328601