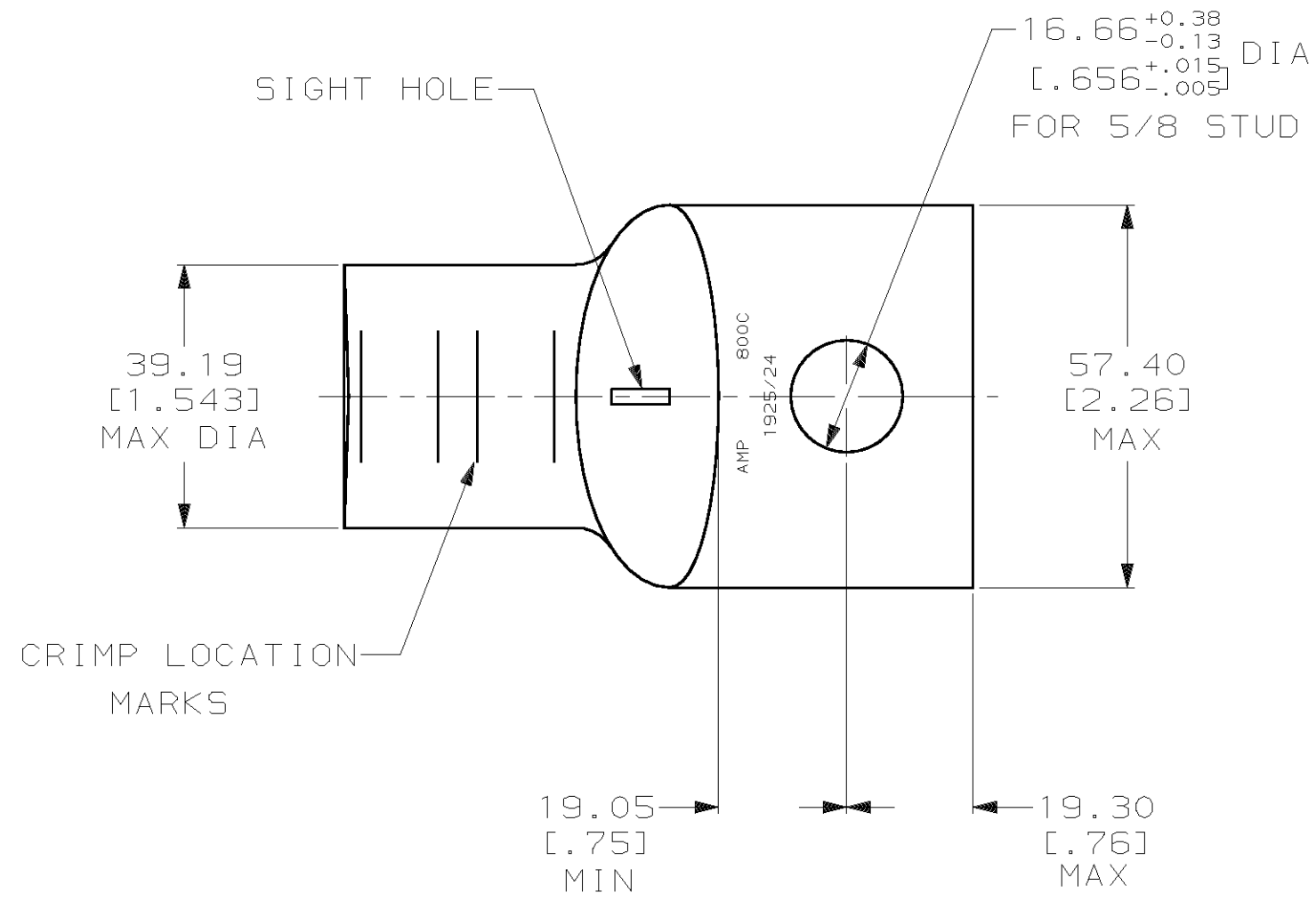
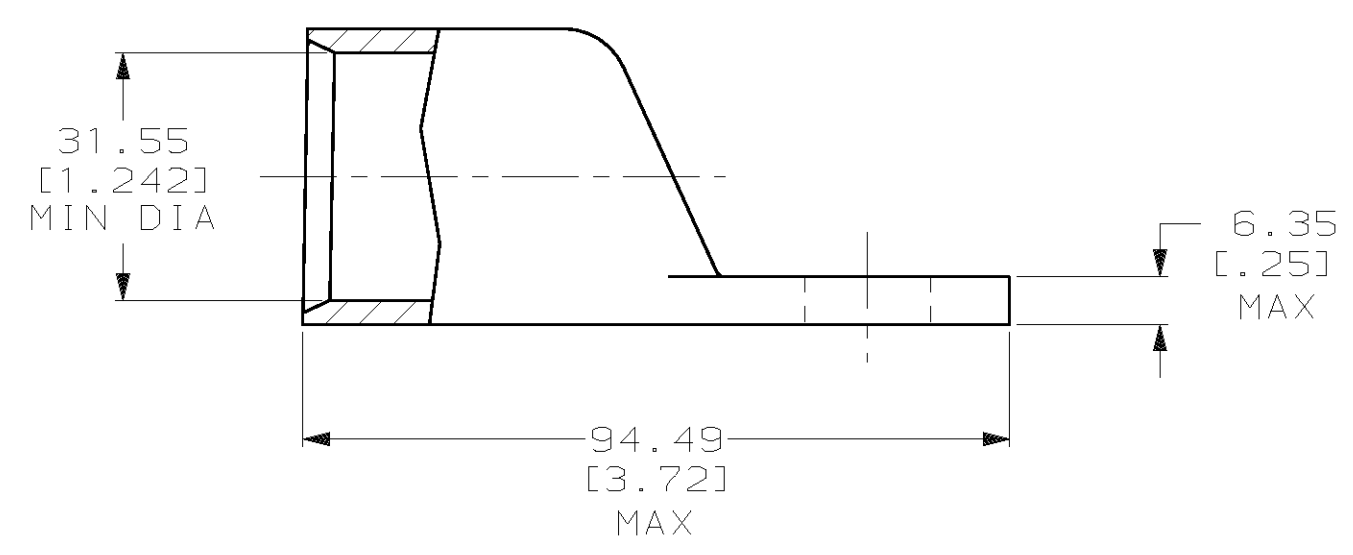


THIS DRAWING IS UNPUBLISHED. RELEASED FOR PUBLICATION, 19 .
 © COPYRIGHT 19 BY AMP INCORPORATED. ALL INTERNATIONAL RIGHTS RESERVED.

LOC		DIST		P		F		ZONE		LTR		REVISIONS		DATE	APPD	
G		86											DESCRIPTION			
													K	REV PER 0G3A-0561-01	09OCT02	JR/MS



1 CIRCULAR MIL RANGE: 750-850 MCM
 2 TIN PL 0.00381 [.000150] MIN THK PER MIL-T-10727



326406

326406
 PART NO

DO NOT SCALE PRINT. UNLESS SPECIFIED DIMENSIONS IN mm [INCHES] TOLERANCES ON : 2 PLC DEC ± 0.51 [.020] 3 PLC DEC ± - ANGLES ± -		DR 02/28/90 DK SCHRUM		AMP INCORPORATED Harrisburg, Pa. 17105	
MATERIAL ANNEALED COPPER ASTM B-75		CHK 25JAN95 MS FEHER			
FINISH △		APPD 25JAN95 WJ VOCKROTH		NAME TERMINAL, AMPPOWER, WIRE SIZE: 800 MCM	
APPLICATION SPEC -		APPD 25JAN95 TL SHUTTER		DRAWING NO 326406	
WEIGHT .583 LB		PRODUCT SPEC 108-30200		SCALE 1:1	
				CAGE CODE 00779	
				SHEET 1 OF 1	

