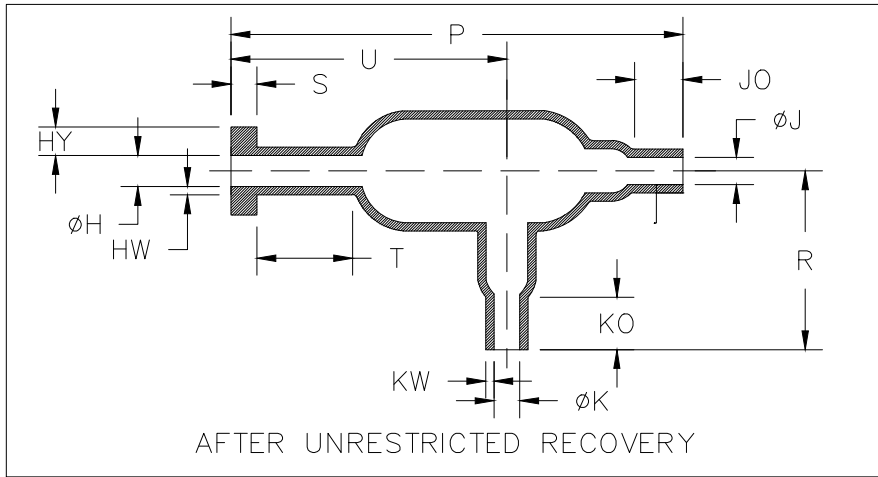
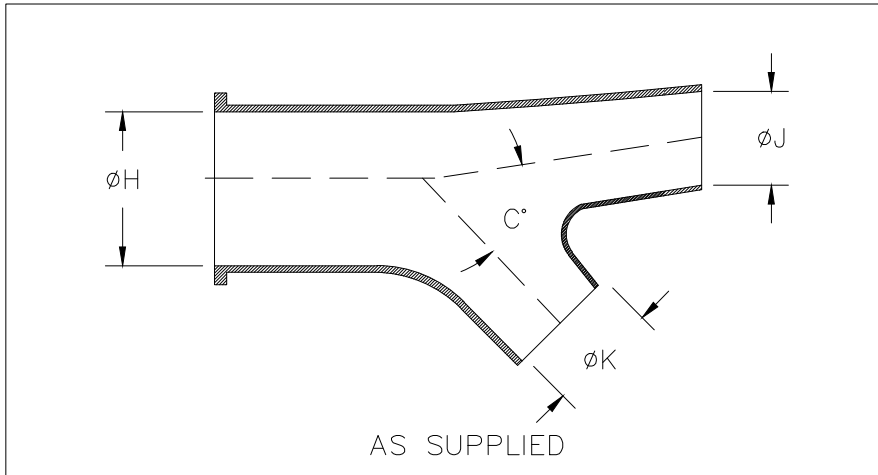


REVISIONS				
P	LTR	DESCRIPTION	DATE	APVD
E		PRODUCTION ISSUE	30JAN2019	PNT MT






PART NUMBER	H		J		K		P ±10%	R ±10%	S ±10%	T ±10%	U ±10%	HY ±10%	HW ±20%	JO ±20%	JW ±20%	KO ±20%	KW ±20%	C° REF
	Min	Max	Min	Max	Min	Max												
	a	b	a	b	a	b												
322W204	26.0 [1.02]	6.3 [.25]	16.0 [.63]	5.5 [.22]	16.0 [.63]	5.5 [.22]	90.0 [3.54]	35.0 [1.38]	5.0 [.20]	54.0 [2.13]	54.0 [2.13]	5.5 [.22]	2.5 [.10]	11.0 [.43]	2.0 [.08]	11.0 [.43]	2.0 [.08]	30

RELEASED FOR PUBLICATION

ALL RIGHTS RESERVED.

© COPYRIGHT - TE Connectivity Ltd.

THIS DRAWING IS UNPUBLISHED.

DIMENSIONS: mm [INCHES]	DWN PRAVEEN N T	30JAN2019	MATERIAL SEE SHEET 2	FINISH -
	CHK N NAGAR	30JAN2019	 TE Connectivity Ltd.	
TOLERANCES UNLESS OTHERWISE SPECIFIED:	APVD N NAGAR	30JAN2019		
	0 PLC ± - 1 PLC ± 0.5[.1] 2 PLC ± 0.25[.01] 3 PLC ± 0.13[.005] 4 PLC ± - ANGLES ± 5°	PRODUCT SPEC -	APPLICATION SPEC -	SIZE A4
 	WEIGHT	DRAWING NO 322W204-12-0		RESTRICTED TO -
	CUSTOMER DRAWING	SCALE DNS	SHEET 1 OF 2	REV E

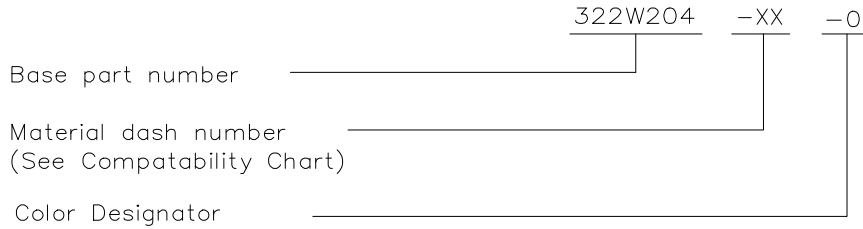
REVISIONS

P	LTR	DESCRIPTION	DATE	DWN	APVD
	-	SEE SHEET 1	-	-	-

COMPATABILITY CHART

MATERIAL DASH NO.	MATERIAL DESCRIPTION	RT SPEC	COATING SLASH NO.	COATING S NO.
-12	FLUROELASTOMER, FLEXIBLE	RT-1312	N/A	N/A

ORDERING INFORMATION




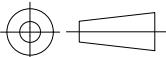
NOTES

- Dimensions appearing in table are as follows:
 - a - As Supplied
 - b - After Unrestricted Recovery

RELEASED FOR PUBLICATION

ALL RIGHTS RESERVED.

COPYRIGHT - TE Connectivity Ltd.

DIMENSIONS: mm [INCHES]	DWN PRAVEEN N T	30JAN2019	MATERIAL -	FINISH -
	CHK N NAGAR	30JAN2019	 TE Connectivity Ltd.	
TOLERANCES UNLESS OTHERWISE SPECIFIED:	APVD M TAYLOR	30JAN2019		
0 PLC ± -	PRODUCT SPEC	-	NAME TRANSITION, 90 DEGREES, SIDE BREAKOUT	
1 PLC ± 0.5[.1]	APPLICATION SPEC	-		
2 PLC ± 0.25[.01]	WEIGHT	-	SIZE A4	CAGE CODE 00779
3 PLC ± 0.13[.005]			DRAWING NO G-322W204-12-0	RESTRICTED TO -
4 PLC ± -			CUSTOMER DRAWING	
ANGLES ± 5°			SCALE DNS	SHEET 2 OF 2
			REV E	