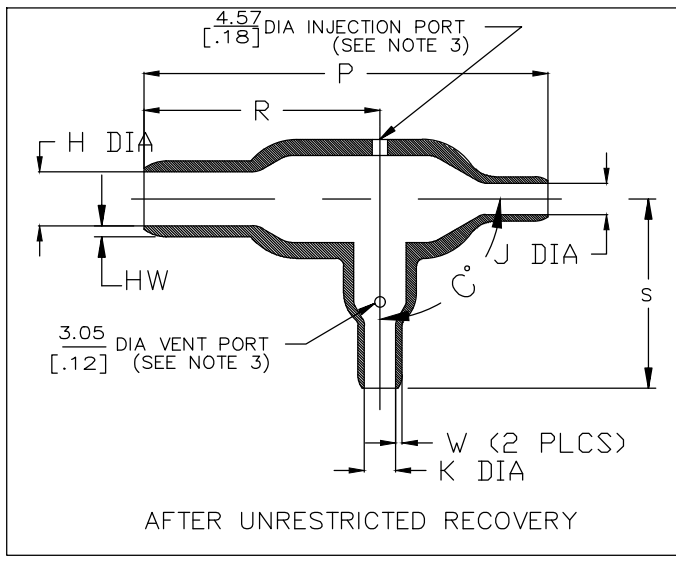
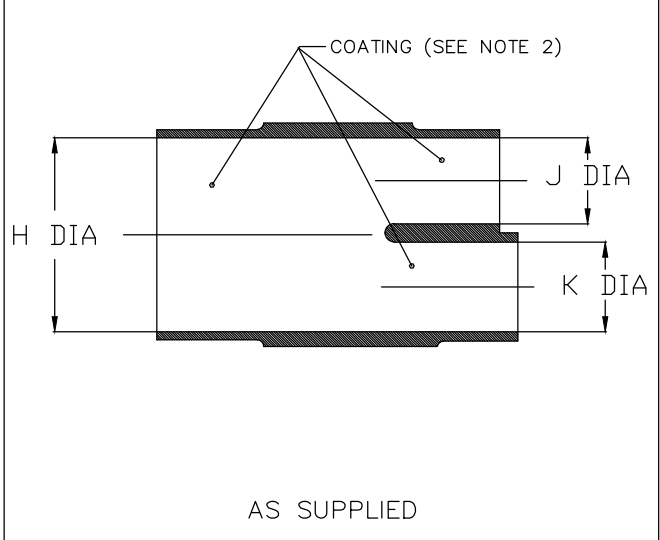


REVISIONS				
P	LTR	DESCRIPTION	DATE	APVD
D		PRODUCTION ISSUE	29JAN2019	PNT MT



PART NUMBER	H		J & K		P ±10% b	R ±10% b	S ±10% b	W ±20% b	HW ±20% b	C°	
	Min a	Max b	Min a	Max b						±10° a	±5° b
322A514	30.5 [1.20]	15.2 [.60]	17.8 [.70]	8.9 [.35]	81.3 [3.20]	47.5 [1.87]	38.1 [1.50]	1.27 [.05]	2.29 [.09]	15	90

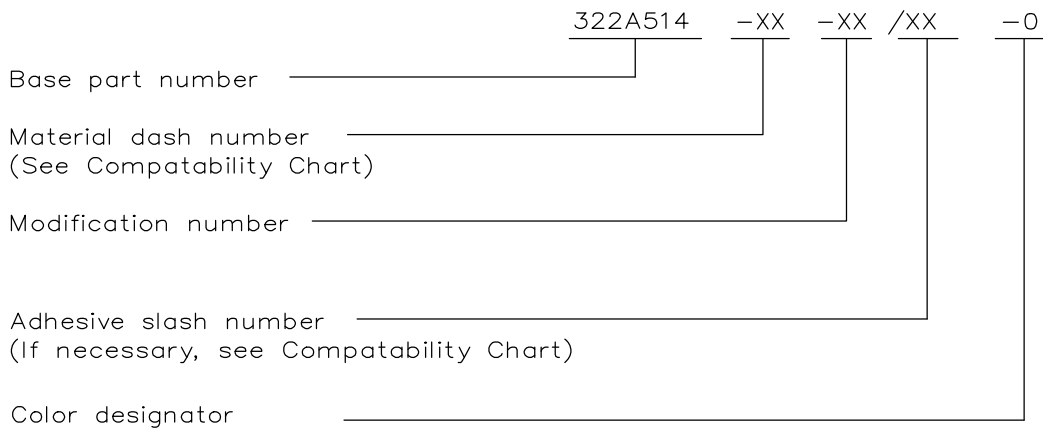
THIS DRAWING IS UNPUBLISHED. ALL RIGHTS RESERVED. COPYRIGHT - TE Connectivity Ltd.

DIMENSIONS: mm [INCHES]	DWN PRAVEEN N T	29JAN2019	MATERIAL SEE SHEET 2	FINISH -
	CHK N NAGAR	29JAN2019	TE Connectivity Ltd.	
TOLERANCES UNLESS OTHERWISE SPECIFIED:	APVD N NAGAR	29JAN2019		
	0 PLC ± - 1 PLC ± - 2 PLC ± - 3 PLC ± - 4 PLC ± - ANGLES ± -	PRODUCT SPEC -	APPLICATION SPEC -	SIZE A4
	WEIGHT	DRAWING NO 322A514-XX-0		RESTRICTED TO -
	CUSTOMER DRAWING		SCALE DNS	SHEET 1 OF 2

REVISIONS					
P	LTR	DESCRIPTION	DATE	DWN	APVD
	-	SEE SHEET 1	-	-	-

COMPATABILITY CHART				
MATERIAL DASH NO.	MATERIAL DESCRIPTION	RT SPEC	COATING SLASH NO.	COATING S NO.
-3	Polyolefin, Semi-rigid	RT-301	/42;/86;/180	S1017;S1048;S1030
-4	Polyolefin, Flexible	RT-1304	/42;/86;/180	S1017;S1048;S1030
-25	Elastomer, Fluid Resistant	RW-2070	/42;/86;/225	S1017;S1048;S1206

ORDERING INFORMATION



NOTES

- Dimensions appearing in table are as follows:
 - a - As Supplied
 - b - After Unrestricted Recovery
- Coating is optional. As supplied dimensions appearing in table are for uncoated parts. When coating is added, entry diameters will be reduced by 1.5mm[.06] max.
- When molding ports are specified as -00 modification they will be located as shown.

THIS DRAWING IS UNPUBLISHED.

ALL RIGHTS RESERVED.

COPYRIGHT - TE Connectivity Ltd.

DIMENSIONS: mm [INCHES]	DWN PRAVEEN N T 29JAN2019	MATERIAL -	FINISH -		
	CHK N NAGAR 29JAN2019	TE Connectivity Ltd.			
TOLERANCES UNLESS OTHERWISE SPECIFIED:	APVD M TAYLOR 29JAN2019			NAME TRANSITION, 90 DEGREES SIDE BREAKOUT, THINWALL	
0 PLC ± -	PRODUCT SPEC	SIZE	CAGE CODE	DRAWING NO	RESTRICTED TO
1 PLC ± -	-	A4	00779	C-322A514-XX-0	-
2 PLC ± -	APPLICATION SPEC	CUSTOMER DRAWING			
3 PLC ± -	-	SCALE	DNS		SHEET
4 PLC ± -	WEIGHT	2 OF 2		REV	D
ANGLES ± -					

