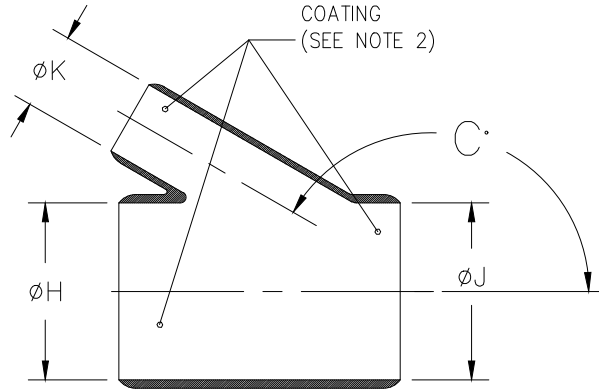


REVISIONS				
P	LTR	DESCRIPTION	DATE	APVD
	B	PRODUCTION ISSUE	01FEB2019	PNT MT

AS SUPPLIED



AFTER UNRESTRICTED RECOVERY

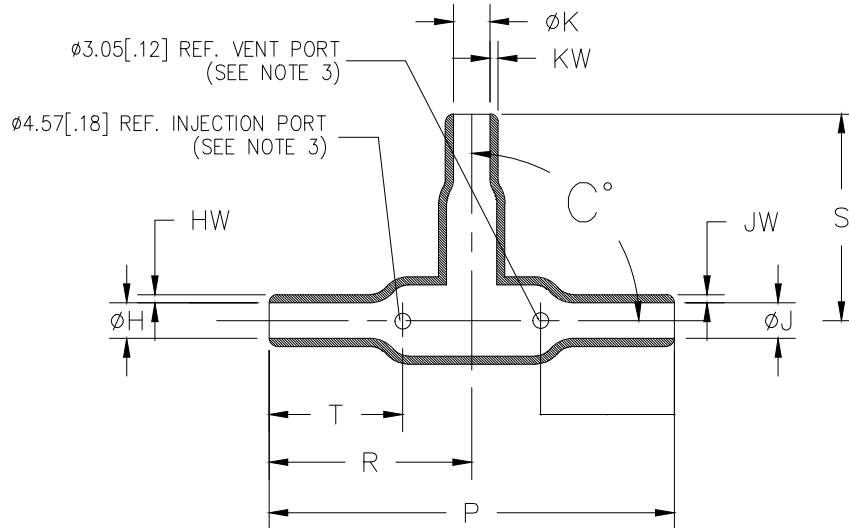


TABLE OF DIMENSIONS

PART DESCRIPTION	H & J		K		P	R	S	T	U	HW&JW	KW	C°	
	MIN a	MAX b	MIN a	MAX b	±10% b	±10% b	±10% b	±10% b	±10% b	±20% b	±20% b	±10% a	±5% b
322A412	17.7 [.70]	8.9 [.35]	10.1 [.40]	5.1 [.20]	47.5 [1.87]	23.6 [.93]	23.6 [.93]	19.1 [.75]	19.8 [.78]	1.50 [.059]	1.02 [.04]	165	90

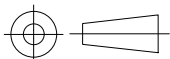
RELEASED FOR PUBLICATION

ALL RIGHTS RESERVED.

COPYRIGHT - TE Connectivity Ltd.

THIS DRAWING IS UNPUBLISHED.

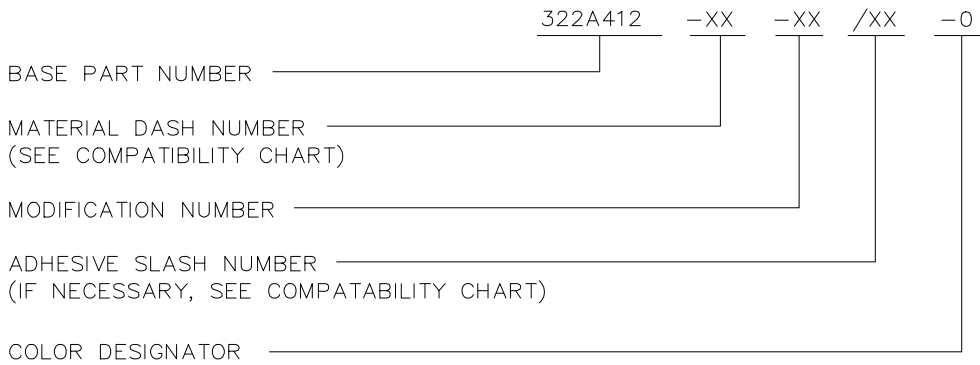
DIMENSIONS: mm [INCHES]	DWN	01FEB2019	MATERIAL	SEE SHEET 2		FINISH	-			
	CHK	01FEB2019	TE Connectivity Ltd.							
TOLERANCES UNLESS OTHERWISE SPECIFIED:	APVD	01FEB2019								
	PRODUCT SPEC	NAME						TRANSITION 90, DEGREE SIDE BREAKOUT, THINWALL		
0 PLC ± - 1 PLC ± 0.50[.1] 2 PLC ± 0.25[.01] 3 PLC ± 0.13[.005] 4 PLC ± - ANGLES ± 1°	APPLICATION SPEC	SIZE						CAGE CODE	DRAWING NO	RESTRICTED TO
	WEIGHT	A4		00779	C= 322A412-XX-0		-			
CUSTOMER DRAWING			SCALE	DNS		SHEET	1 OF 2		REV	B



REVISIONS					
P	LTR	DESCRIPTION	DATE	DWN	APVD
	-	SEE SHEET 1	-	-	-

COMPATIBILITY CHART				
MATERIAL DASH NO.	MATERIAL DESCRIPTION	RT SPEC	COATING SLASH NO.	COATING SPEC
-3	POLYOLEFIN, SEMI-RIGID	RT-301	/42;/86;/180	S1017;S1048;S1030
-4	POLYOLEFIN, FLEXIBLE	RT-1304	/42;/86;/180	S1017;S1048;S1030
-12	FLUROELASTOMER FLEXIBLE	RT-1312	N/A	N/A
-25	ELASTOMER, FLUID RESISTANT	RW-2070	/42;/86;/225	S1017;S1048;S1206
-100	POLYOLEFIN, SEMI-FLEXIBLE ZEROHAL	RW-2082	/86;/180	S1048;S1030

ORDERING INFORMATION



NOTES

- DIMENSIONS APPEARING IN TABLE ARE AS FOLLOWS:
 - a - AS SUPPLIED
 - b - AFTER UNRESTRICTED RECOVERY
- COATING (ADHESIVE) IS OPTIONAL. AS SUPPLIED DIMENSIONS APPEARING IN TABLE ARE FOR UNCOATED PARTS. WHEN COATING IS ADDED, ENTRY DIAMETERS WILL BE REDUCED BY 1.5mm[.06]MAX.
- MOLDING PORTS ARE OPTIONAL. WHEN -00 MODIFICATION NUMBER IS SPECIFIED MOLDING PORTS WILL BE LOCATED AS SHOWN.

THIS DRAWING IS UNPUBLISHED. ALL RIGHTS RESERVED. © COPYRIGHT - TE Connectivity Ltd.

DIMENSIONS: mm [INCHES]	DWN PRAVEEN N T 01FEB2019	MATERIAL SEE SHEET 2	FINISH -
	CHK N NAGAR 01FEB2019	TE Connectivity Ltd.	
TOLERANCES UNLESS OTHERWISE SPECIFIED:	APVD M TAYLOR 01FEB2019		
0 PLC ± -	PRODUCT SPEC -	SIZE A4	RESTRICTED TO -
1 PLC ± 0.50[.1]	APPLICATION SPEC -	CAGE CODE 00779	DRAWING NO 322A412-XX-0
2 PLC ± 0.25[.01]	WEIGHT	DRAWING NO 322A412-XX-0	
3 PLC ± 0.13[.005]			
4 PLC ± -			
ANGLES ± 1°			
	CUSTOMER DRAWING		SCALE DNS SHEET 2 OF 2 REV B