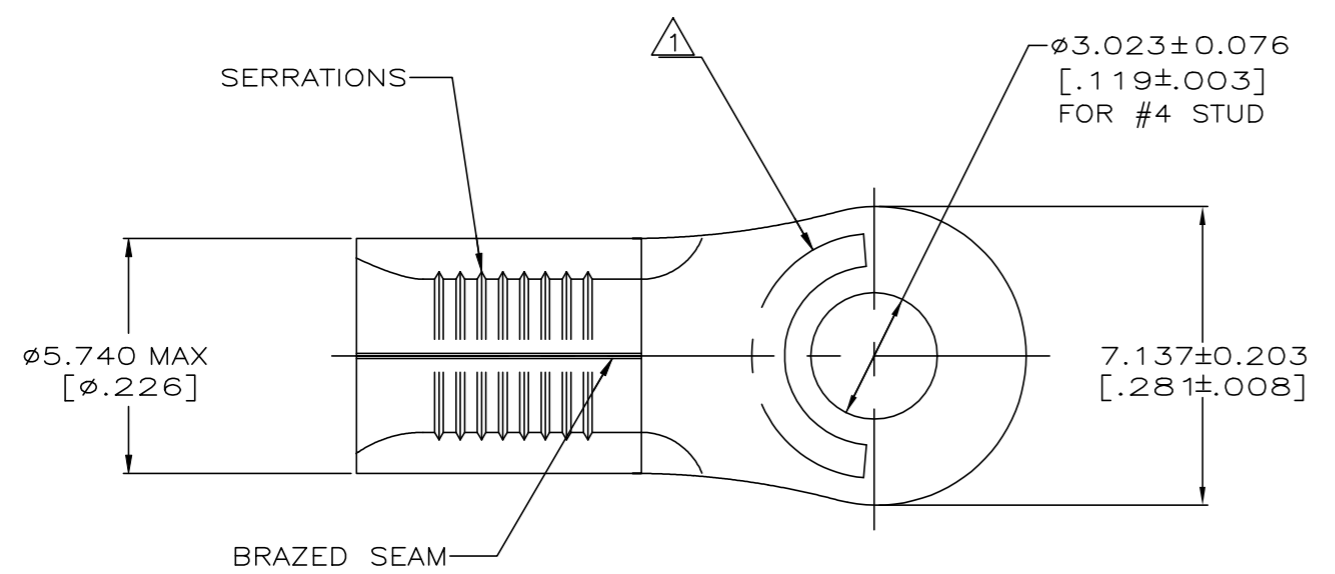
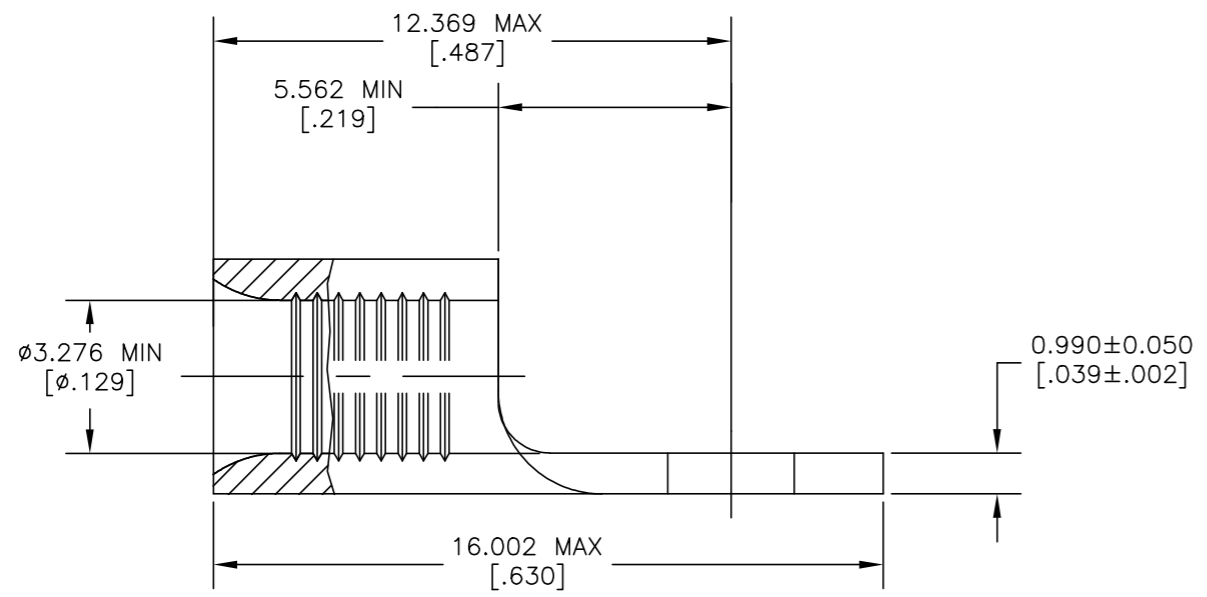


REVISIONS		DAP		
P	LTR	DESCRIPTION	DATE	APVD
G		REV PER ECR 07-017771	21AUG07	JR MS
H		REVISED PER ECO-19-000777	01OCT2019	RS DR



AMP WIRE RANGE	Listed FILE E13288	LR7189 Certified
12-10 AWG SOLID OR STRANDED	12-10 AWG SOLID OR STRANDED	12-10 AWG SOLID OR STRANDED

- 1 STAMP AMP 12-10* APPROX AS SHOWN
- 2 TIN PLATE 0.00254 [0.000100] MIN THK PER ASTM B545
- 3 GOLD PLATE PER MIL-G-45204, TYPE II, CLASS I, 0.00127 [0.000050] MIN EXT THK. OVER NICKEL PLATE 0.00076 [0.000030] MIN EXT THK PER SAE AMS QQ-N-290
- 4 COPPER PER ASTM B-152, ANNEALED
- 5 TIN LEAD PLATE (93/7), 0.00254 [0.000100] MIN THK.



MAX TEMP.	QTY	PACKAGE TYPE	PRODUCT SPEC	FINISH	PART NO.
240°C [500°F]	500	LOOSE PIECE	N/A	3	2-322447-1
170°C [338°F]	500	LOOSE PIECE	UL486 A-B	5	322447-1
	500	LOOSE PIECE		2	322447

AMP INCORPORATED CUSTOMER SERVICE SYSTEMS		MAX RECOMMENDED OPERATING TEMPERATURE: SEE TABLE
FOR ADDITIONAL PRODUCT INFORMATION OR COPIES OF DRAWINGS AND TECHNICAL DOCUMENTS	PRODUCT INFORMATION CENTER 1-800-522-6752	VOLTAGE RATING: N/A
FOR APPLICATION TOOLING INFORMATION	TOOLING ASSISTANCE CENTER 1-800-722-1111	CIRCULAR MIL AREA: 2.62-6.64mm ² [5,180-13,100] SOLID OR STRANDED
FOR ORDER ENTRY	1-800-526-5142	THIS DRAWING IS A CONTROLLED DOCUMENT FOR AMP INCORPORATED. IT IS SUBJECT TO CHANGE AND THE CONTROLLING ENGINEERING ORGANIZATION SHOULD BE CONTACTED FOR THE LATEST REVISION.

THIS DRAWING IS A CONTROLLED DOCUMENT.		DWN TA BRINKMAN 3-17-93	TE Connectivity	
DIMENSIONS: MM[INCHES]		CHK DA PATTERSON 3-17-93		
TOLERANCES UNLESS OTHERWISE SPECIFIED:		APVD JL MECKLEY 3-17-93	NAME	
0 PLC ± -		PRODUCT SPEC		
1 PLC ± -		SEE TABLE		
2 PLC ± -		APPLICATION SPEC		
3 PLC ± 0.127[0.005]		SIZE CAGE CODE DRAWING NO RESTRICTED TO		
4 PLC ± -		A2 00779 C-322447		
ANGLES ± -		WEIGHT -		
FINISH		CUSTOMER DRAWING		
SEE TABLE		SCALE 8:1 SHEET 1 of 1 REV H		