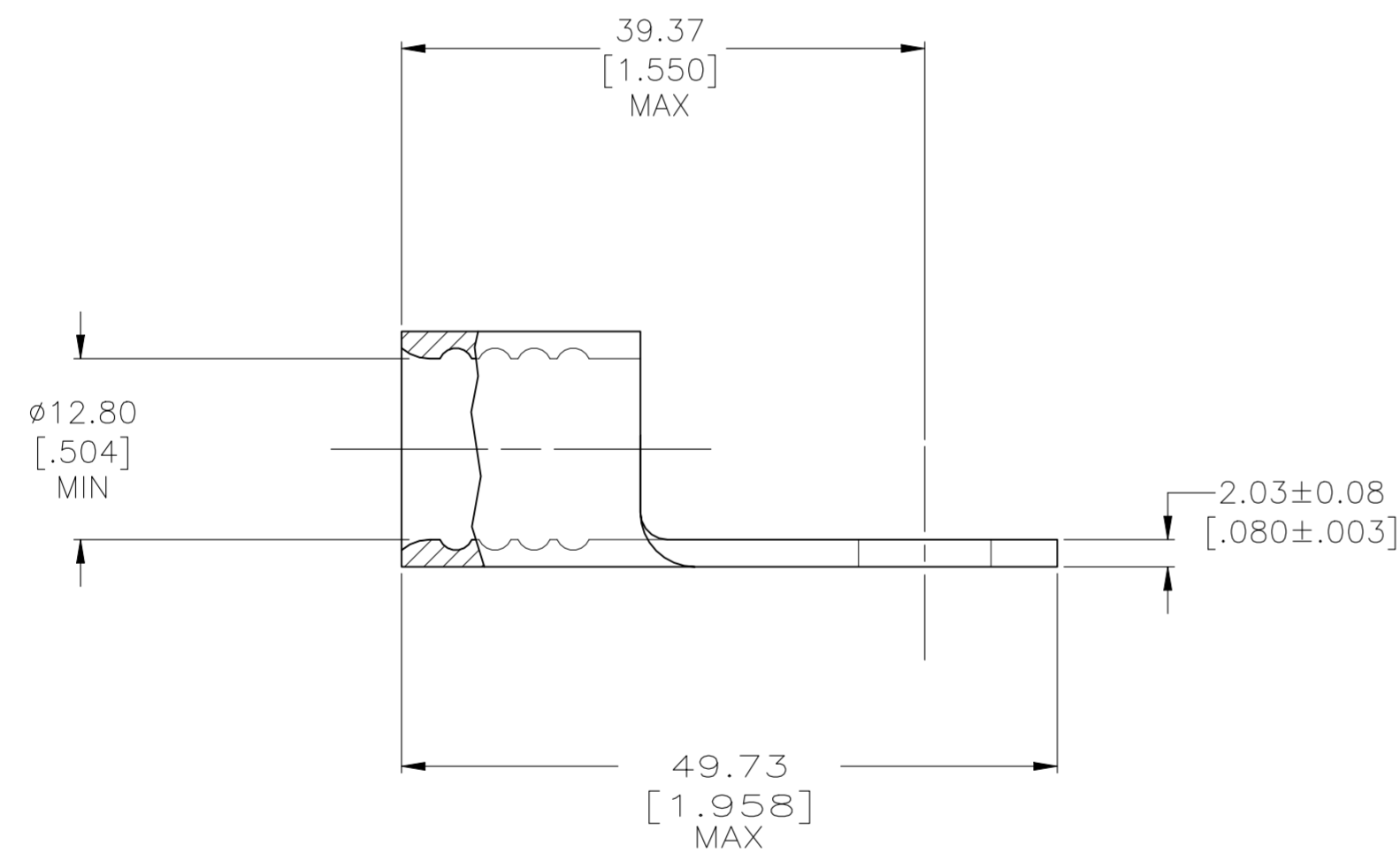
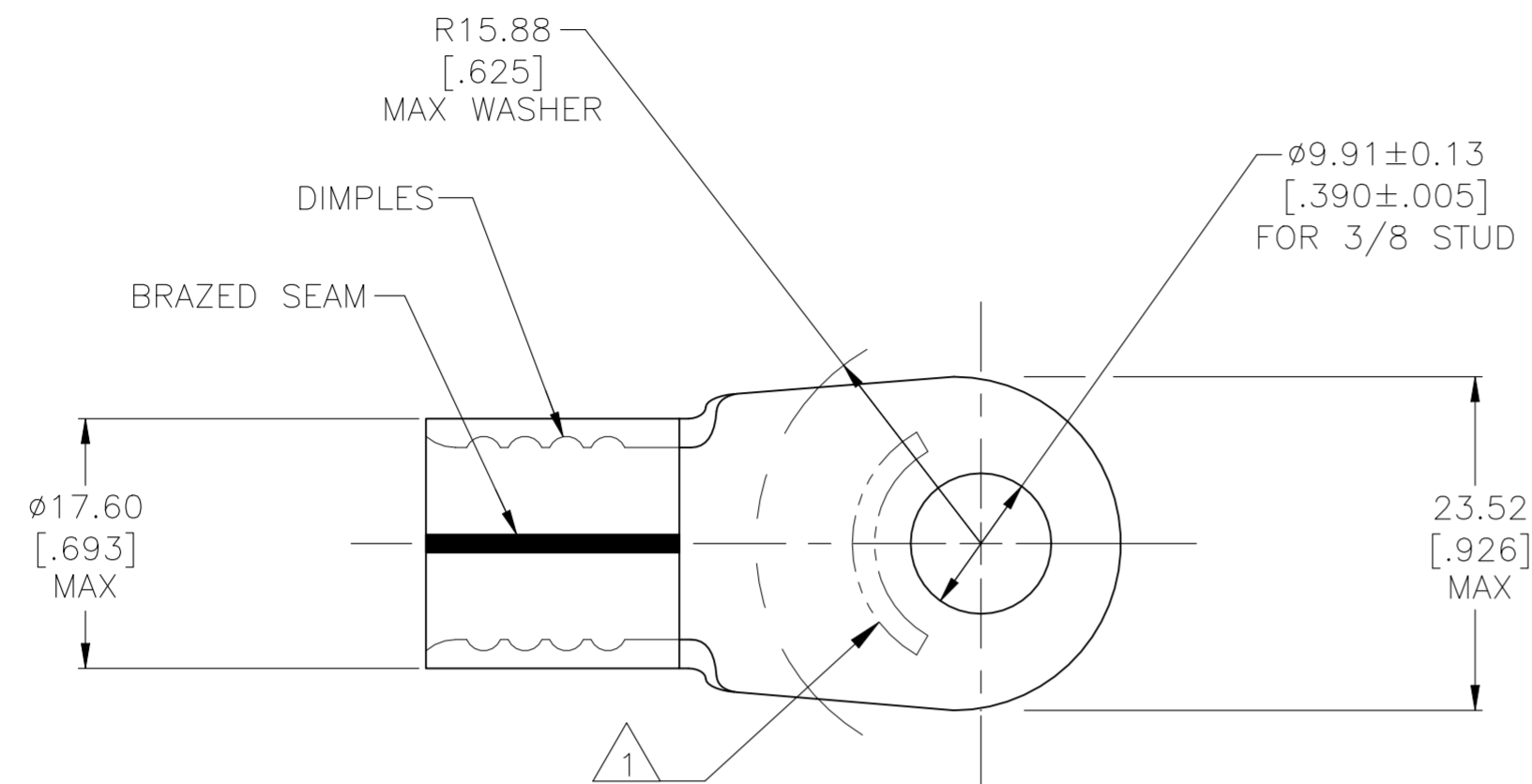


REVISIONS				
P	LTR	DESCRIPTION	DATE	APVD
G3		REVISED PER ECN-22-150900	27APR2022	RK CSD



AMP WIRE RANGE	E13288 Listed
2/0 AWG SOLID OR STRANDED	2/0 AWG STRANDED
LR7189 Certified	
2/0 AWG SOLID OR STRANDED	

- STAMP AMP 2/0W* APPROX AS SHOWN
- TIN PL 0.00254[.000100] MIN EXT THK PER ASTM B-545
- BRIGHT TIN LEAD PL 0.00254[.000100] MIN THK PER ASTM B-545
- NICKEL PLATE 0.00762 [.000300] MIN EXT. THK PER SAE AMS QQ-N-290
- 5 NOTE DELETED

170°C[338°F]	50	LOOSE PIECE		2-321871-2																
343°C[650°F]	50	LOOSE PIECE		321871-2																
170°C[338°F]	50	LOOSE PIECE		321871																
MAX OPERATIVE TEMPERATURE	QTY	PACKAGE TYPE	FINISH	PART NUMBER																
THIS DRAWING IS A CONTROLLED DOCUMENT.		DWN DK_SCHRUM 1/14/94	TE Connectivity																	
DIMENSIONS: mm[INCHES]		CHK AJ KAUFMAN 1/19/94																		
TOLERANCES UNLESS OTHERWISE SPECIFIED:		APVD JL MECKLEY 1/19/94																		
<table border="1"> <tr><td>0 PLC</td><td>±</td><td>-</td></tr> <tr><td>1 PLC</td><td>±</td><td>-</td></tr> <tr><td>2 PLC</td><td>±</td><td>0.20[.008]</td></tr> <tr><td>3 PLC</td><td>±</td><td>-</td></tr> <tr><td>4 PLC</td><td>±</td><td>-</td></tr> <tr><td>ANGLES</td><td>±</td><td>-</td></tr> </table>		0 PLC			±	-	1 PLC	±	-	2 PLC	±	0.20[.008]	3 PLC	±	-	4 PLC	±	-	ANGLES	±
0 PLC	±	-																		
1 PLC	±	-																		
2 PLC	±	0.20[.008]																		
3 PLC	±	-																		
4 PLC	±	-																		
ANGLES	±	-																		
MATERIAL COPPER PER ASTM B-152 ANNEALED	FINISH SEE TABLE	WEIGHT -	SIZE A2	CAGE CODE 00779																
CUSTOMER DRAWING			DRAWING NO C=321871	RESTRICTED TO -																
			SCALE 2:1	SHEET 1 OF 1																
			REV G3																	

AMP INCORPORATED CUSTOMER SERVICE SYSTEMS		MAX RECOMMENDED OPERATING TEMPERATURE: SEE TABLE
FOR ADDITIONAL PRODUCT INFORMATION OR COPIES OF DRAWINGS AND TECHNICAL DOCUMENTS	PRODUCT INFORMATION CENTER 1-800-522-6752	VOLTAGE RATING: NOT APPLICABLE
FOR APPLICATION TOOLING INFORMATION	TOOLING ASSISTANCE CENTER 1-800-722-1111	WIRE CROSS SECTIONAL AREA RANGE: 60.6-76.3mm ² [119,500-150,500] CIR MILS SOLID OR STRANDED
FOR ORDER ENTRY	1-800-526-5142	THIS DRAWING IS A CONTROLLED DOCUMENT FOR AMP INCORPORATED. IT IS SUBJECT TO CHANGE AND THE CONTROLLING ENGINEERING ORGANIZATION SHOULD BE CONTACTED FOR THE LATEST REVISION.