

4

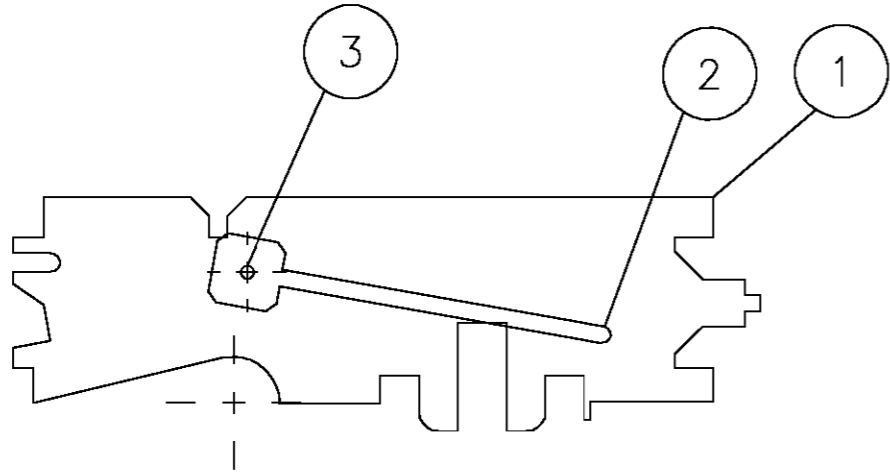
3

2

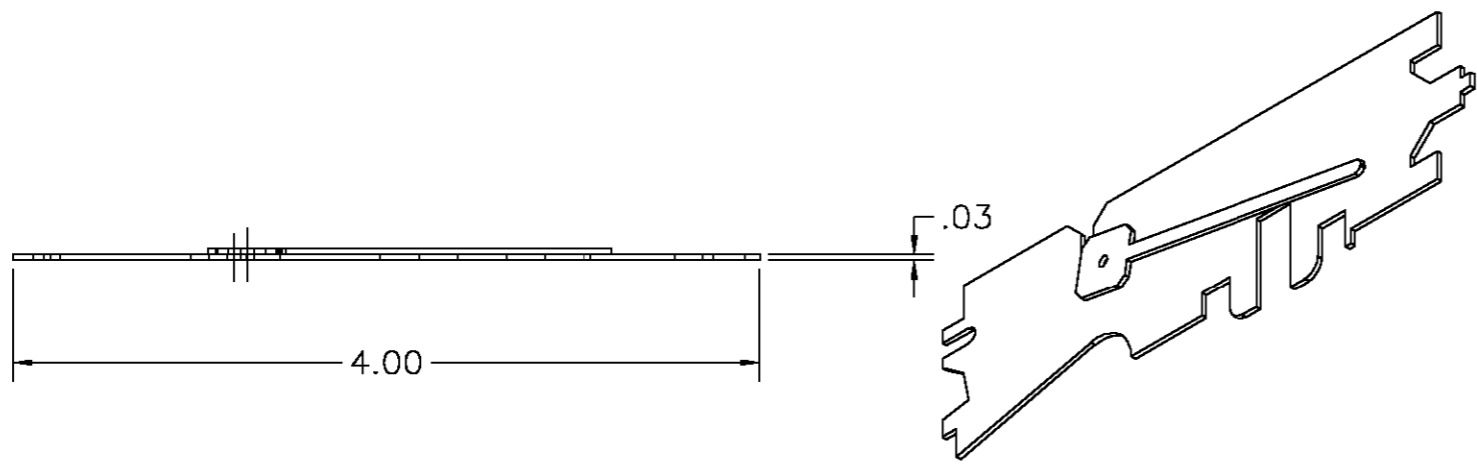
1

THIS DRAWING IS UNPUBLISHED. RELEASED FOR PUBLICATION
 © COPYRIGHT BY TYCO ELECTRONICS CORPORATION. ALL RIGHTS RESERVED.

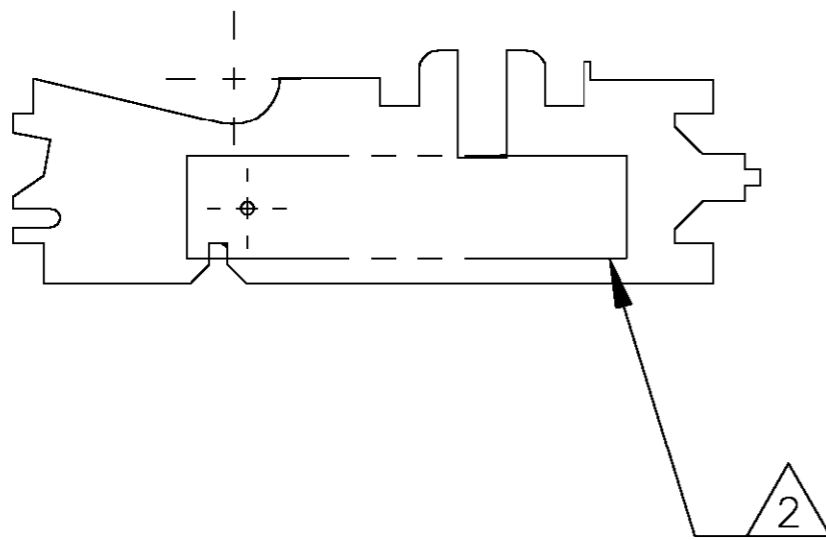
LOC	DIST	REVISIONS			
P	LTR	DESCRIPTION	DATE	DWN	APVD
GA	1	A	INITIAL REL. PER LC20-0029-07	29JAN07	DM BJ



- △ 1 MATERIAL:
BLACKENED STEEL
- △ 2 MARKINGS:
PIERCER PIN GAGE
314199-1
[D/C]
AMPACT CLEANING TOOL



11221	314199-1
H.O. NO.	TYCO P/N



QTY	DESCRIPTION	ITEM NO.
1	EYELET, ROLLED FLANGE	3
1	CLEANING ROD	2
1	BODY, CLEANING TOOL	1
-1	DESCRIPTION	
PARTS LIST		

THIS DRAWING IS A CONTROLLED DOCUMENT.		DWN R JOHANNESSEN 29JAN2007	Tyco Electronics Corporation Markham, ON L3R-1E1	
DIMENSIONS: INCHES		CHK A. BULZA 29JAN2007	NAME AMPACT CLEANING TOOL	
TOLERANCES UNLESS OTHERWISE SPECIFIED:		APVD B. JOHNSON 29JAN2007	PRODUCT SPEC -	
0 P/Am ± 1 PLC ± 2 PLC ± 3 PLC ± 4 PLC ± ANGLES ±		APPLICATION SPEC -	SIZE A3	CAGE CODE 00779
MATERIAL △ 1		FINISH -	DRAWING NO. C-314199	RESTRICTED TO -
CUSTOMER DRAWING			SCALE NTS	SHEET 1 OF 1 REV A