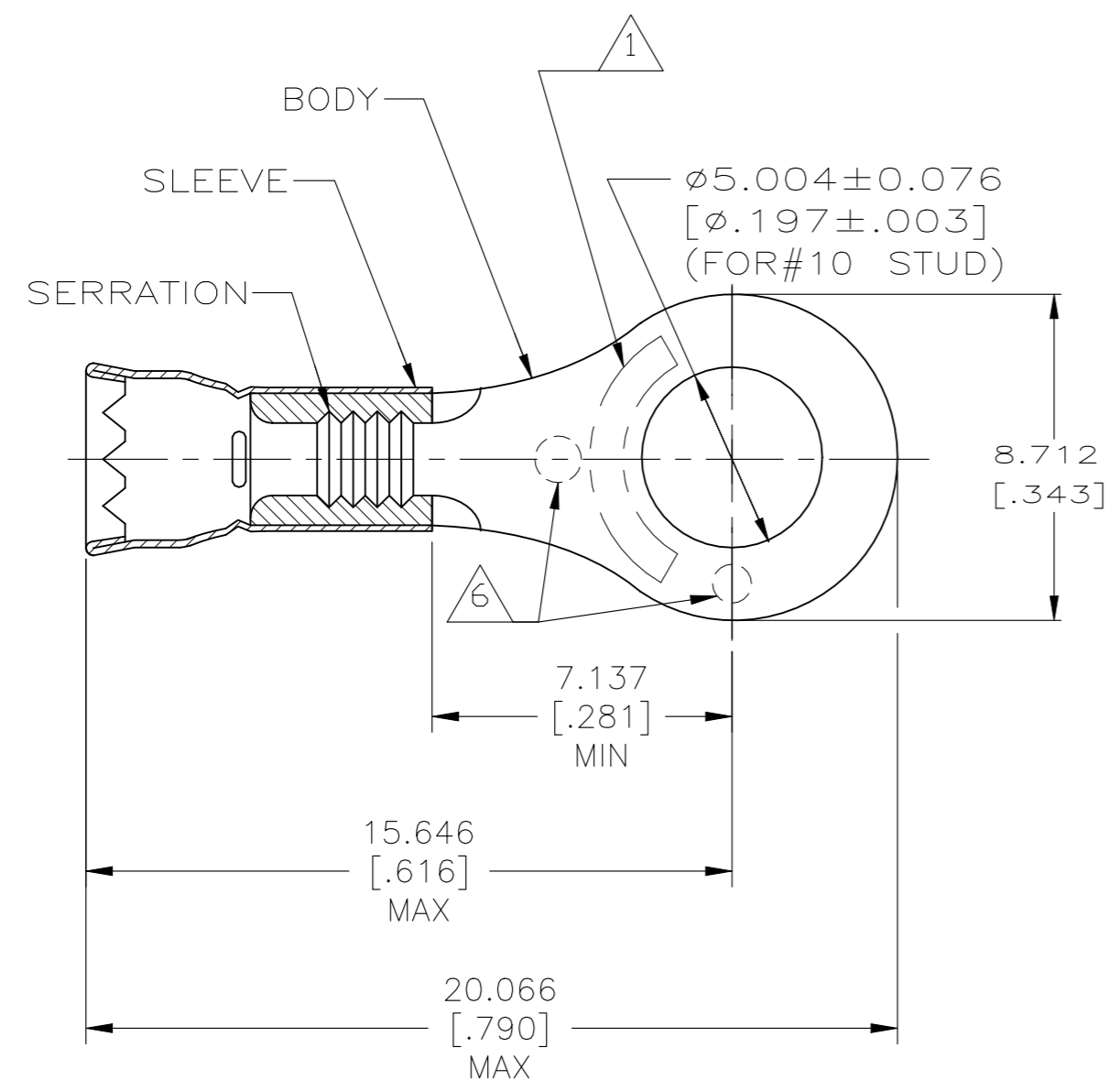


© - TE Connectivity. All Rights Reserved.

REVISIONS				
P	LTR	DESCRIPTION	DATE	APVD
	E	REVISED PER ECR-23-181664	07AUG2023	AP DSC

<b>AMP</b> WIRE RANGE	Listed FILE E13288	LR7189 Certified
16-14 AWG SOLID OR STRANDED	16-14 AWG SOLID OR STRANDED	16-14 AWG SOLID OR STRANDED



- 1 STAMP AMP 16-14\* APPROX AS SHOWN
- 2. WIRE INSULATION DIAMETER:  
ø2.921[.115] TO ø4.318[.170]
- 3. BODY MATERIAL THK: 0.787±0.051[.031±.002]
- 4 MATERIAL:  
BODY & SLEEVE - COPPER PER ASTM B152
- 5 FINISH:  
BODY & SLEEVE - TIN PLATE 0.00254[.000100]  
MIN EXT THK PER ASTM B545
- 6 DIMPLE STAMP MARK OPTIONAL

5000	ON TAPE, REEL	2-30928-1
1000	LOOSE PIECE	30928
QTY	PACKAGE TYPE	PART NO

AMP INCORPORATED CUSTOMER SERVICE SYSTEMS		MAX RECOMMENDED OPERATING TEMPERATURE: 170°C [338°F]	THIS DRAWING IS A CONTROLLED DOCUMENT.		DWN L OLMEDA 23JAN95	TE Connectivity			
FOR ADDITIONAL PRODUCT INFORMATION OR COPIES OF DRAWINGS AND TECHNICAL DOCUMENTS	PRODUCT INFORMATION CENTER 1-800-522-6752	VOLTAGE RATING: -	DIMENSIONS: mm [INCHES]	TOLERANCES UNLESS OTHERWISE SPECIFIED:	CHK M ELLIS 23JAN95				NAME
FOR APPLICATION TOOLING INFORMATION	TOOLING ASSISTANCE CENTER 1-800-722-1111	CIRCULAR MIL AREA: 1.04mm <sup>2</sup> -2.62mm <sup>2</sup> [2050-5180]		0 PLC ± - 1 PLC ± - 2 PLC ± - 3 PLC ± 0.127[.005] 4 PLC ± - ANGLES ± -	APVD S BORTNER 23JAN95	PRODUCT SPEC			
FOR ORDER ENTRY	1-800-526-5142	MATERIAL		FINISH	PRODUCT SPEC UL486A-B	SIZE	CAGE CODE	DRAWING NO	RESTRICTED TO
					WEIGHT	A3 00779		C-30928	
					CUSTOMER DRAWING		SCALE	SHEET	REV
							6:1	1 OF 1	E