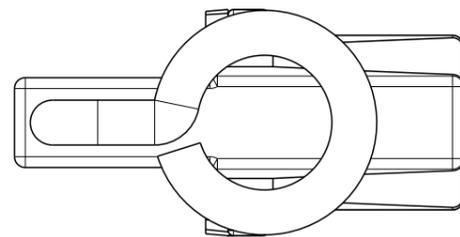
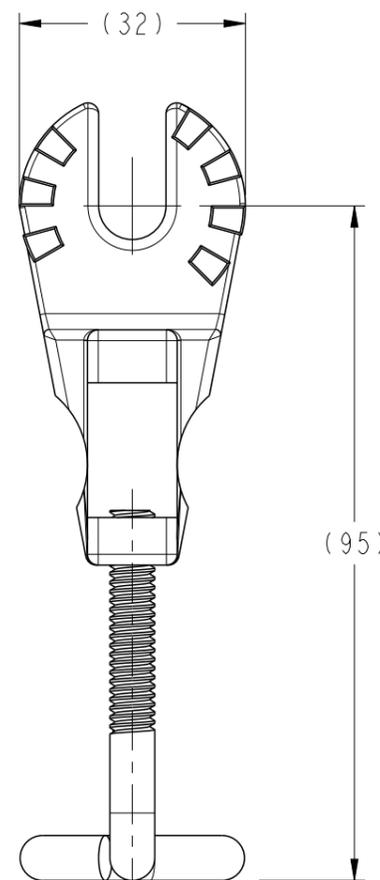
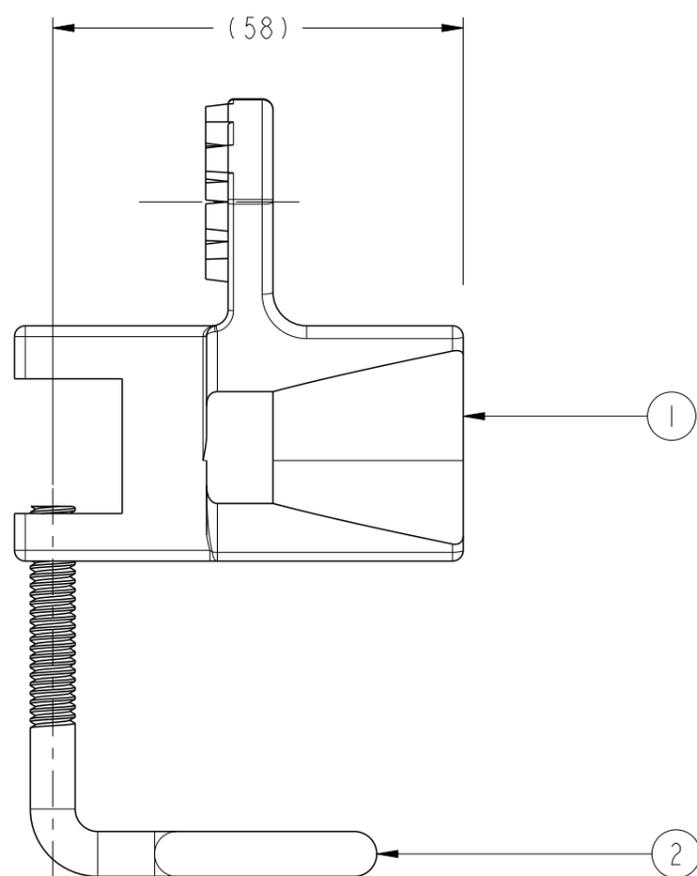


REVISIONS

P	LTR	DESCRIPTION	DATE	DWN	APVD
	A	INITIAL REL PER LC20-0052-21	17MAY2021	RS	JO



NOTE:  
1. DIMENSIONS ARE FOR REFERENCE ONLY.



306348-1  
PART NO.

QTY.	DESCRIPTION	ITEM NO.
1	SCREW-LOCKING, CARBON STEEL	2
1	WEDGE HOLDER, COPPER-ALUMINIUM ALLOY	1

THIS DRAWING IS A CONTROLLED DOCUMENT.		DWN RAVI.S 17MAY2021														
DIMENSIONS: mm		CHK J.GUPPY 17MAY2021														
TOLERANCES UNLESS OTHERWISE SPECIFIED:		APVD J.OPEL 17MAY2021	NAME AMPACT WEDGE HOLDER													
<table border="0"> <tr> <td>0 PLC</td> <td>±-</td> </tr> <tr> <td>1 PLC</td> <td>±-</td> </tr> <tr> <td>2 PLC</td> <td>±-</td> </tr> <tr> <td>3 PLC</td> <td>±-</td> </tr> <tr> <td>4 PLC</td> <td>±-</td> </tr> <tr> <td>ANGLES</td> <td>±-</td> </tr> </table>		0 PLC	±-	1 PLC	±-	2 PLC	±-	3 PLC	±-	4 PLC	±-	ANGLES	±-	PRODUCT SPEC -	RESTRICTED TO -	
0 PLC	±-															
1 PLC	±-															
2 PLC	±-															
3 PLC	±-															
4 PLC	±-															
ANGLES	±-															
MATERIAL -		FINISH -	APPLICATION SPEC -	SIZE A3												
		WEIGHT -	CAGE CODE 00779	DRAWING NO G-306348												
CUSTOMER DRAWING			SCALE 5:1	SHEET 1 OF 1												
			REV A													