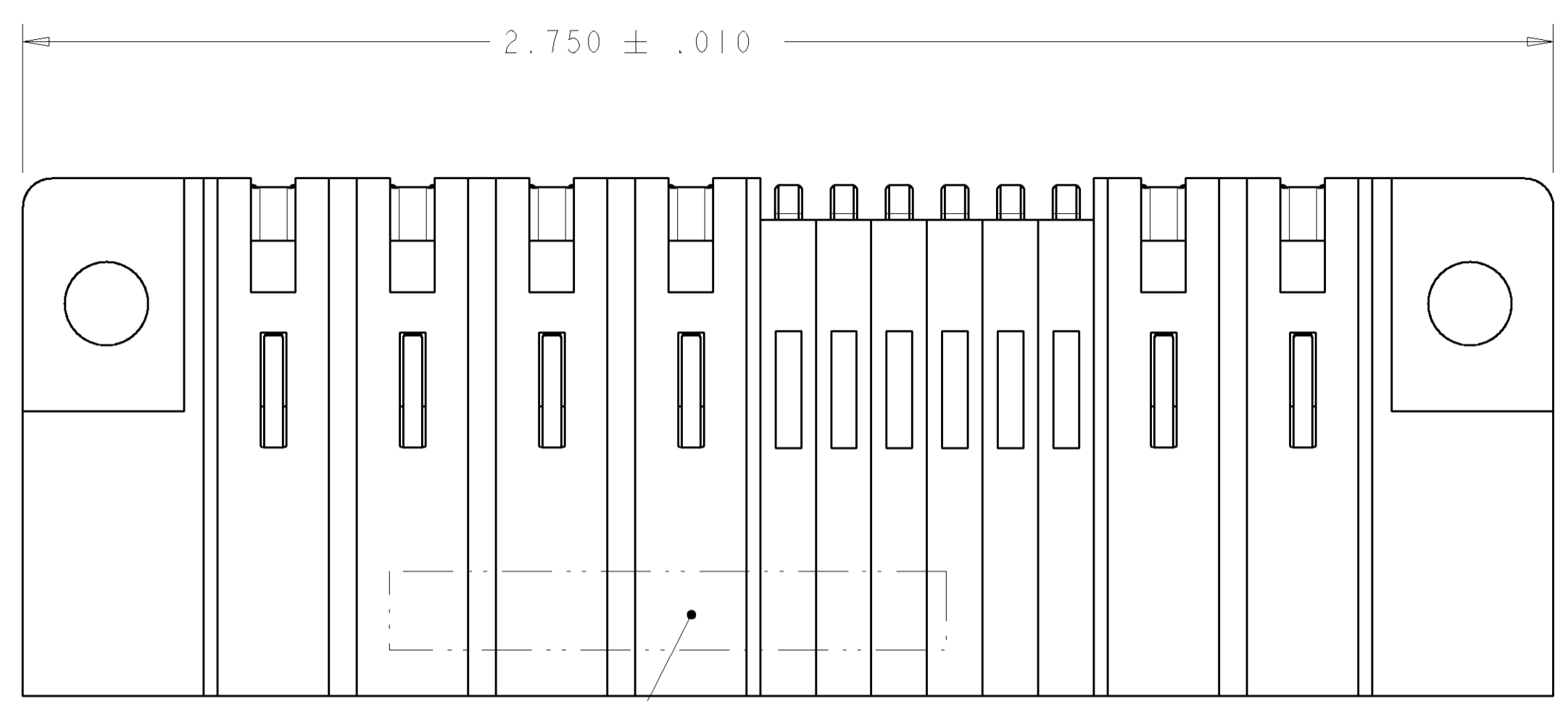
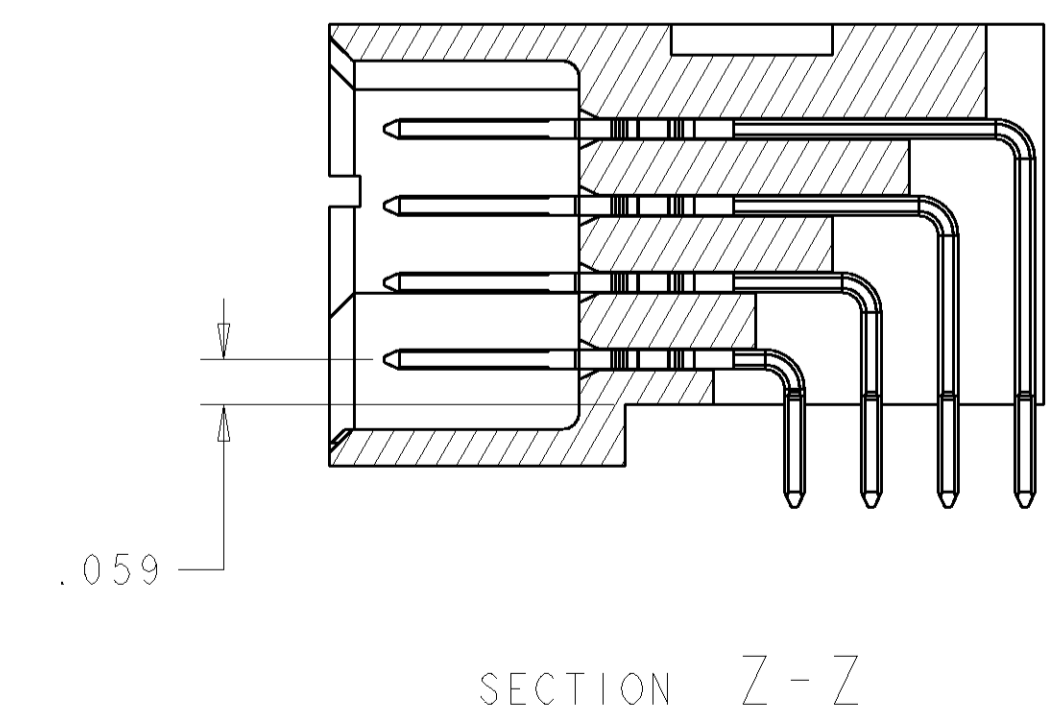
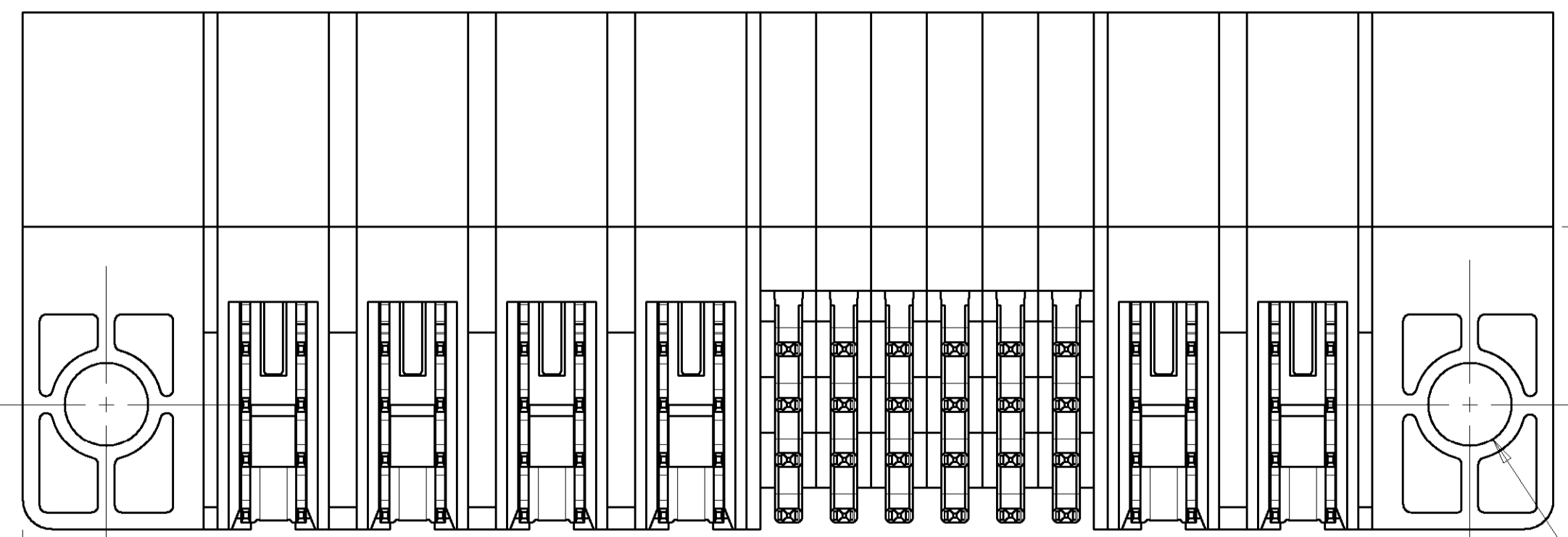
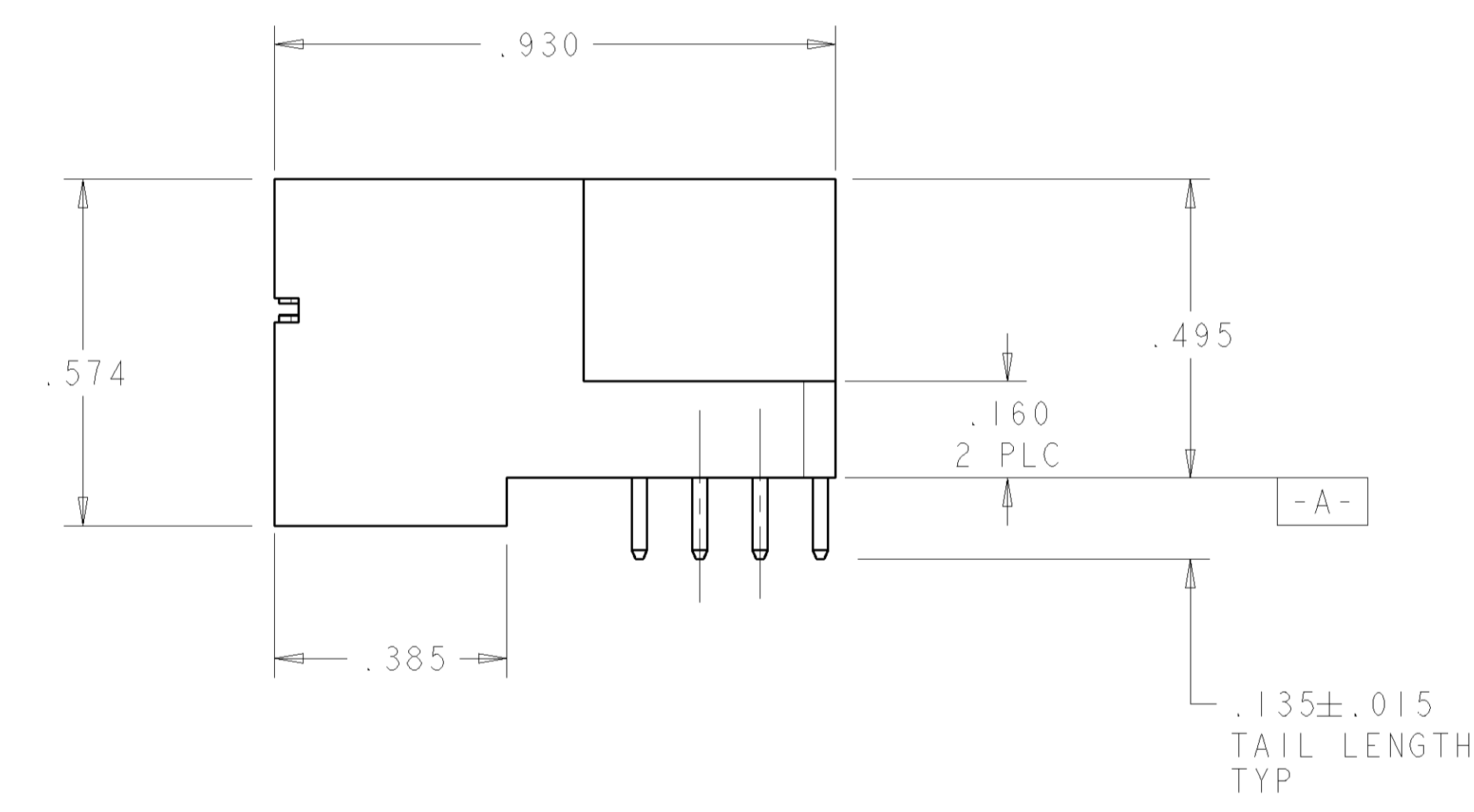
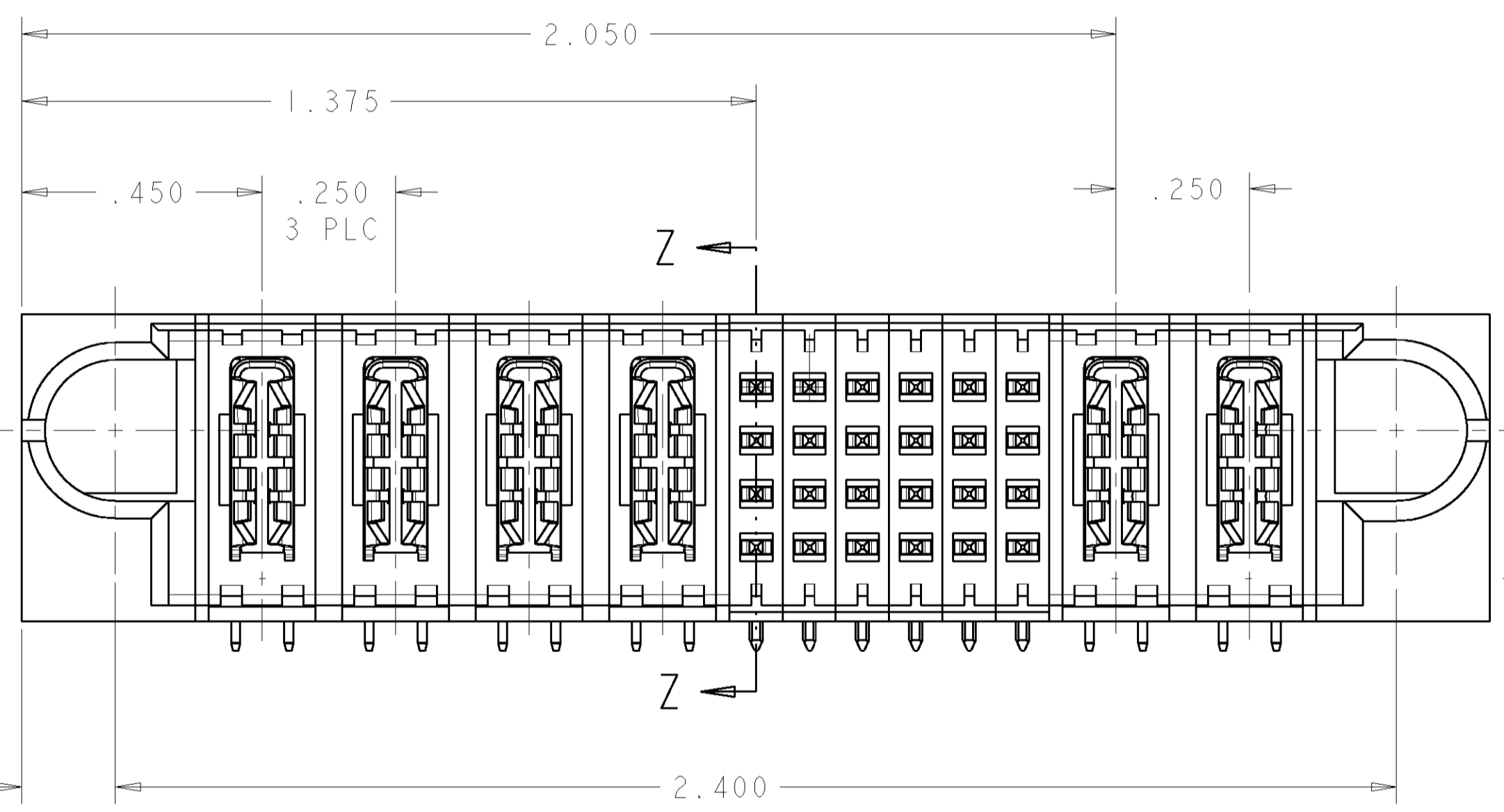


LOC	DIST	REVISIONS			
P	LTR	DESCRIPTION	DATE	DRN	APVD
1		PROPOSED DESIGN	20SEP2005	RG	MP



- ① PART NUMBER, AND DATE CODE MARKED IN AREA SHOWN.
- ② MATERIAL:
 HOUSING - GLASS FILLED HIGH TEMP THERMO PLASTIC, UL94 V-0
 SIGNAL CONTACT - COPPER ALLOY
 POWER CONTACT - HIGH CONDUCTIVITY COPPER ALLOY
- ③ CONTACT PLATING:
 SIGNAL CONTACTS - .000050 MIN Ni UNDER ALL.
 .000030 MIN Au ON CONTACT AREA.
 .000100 MIN Sn AT PCB INTERFACE.
 POWER CONTACTS - .000050 MIN Ni UNDER ALL.
 .000030 MIN Au ON CONTACT AREA.
 .000100 MIN Sn AT PCB INTERFACE.
- ④ MECHANICAL CONNECTOR KEEP OUT ZONE.
- ⑤ DATUM AND BASIC DIMENSIONS ESTABLISHED BY CUSTOMER.
- ⑥ PCB - ALL HOLE DIAMETERS ARE FINISHED HOLE SIZES.
- ⑦ PCB - .0453±.0010 DRILLED HOLES PLATED WITH .0003 MIN Sn OVER .001 TO .003 Cu PLATING TO ACHIEVE A .040 HOLE.

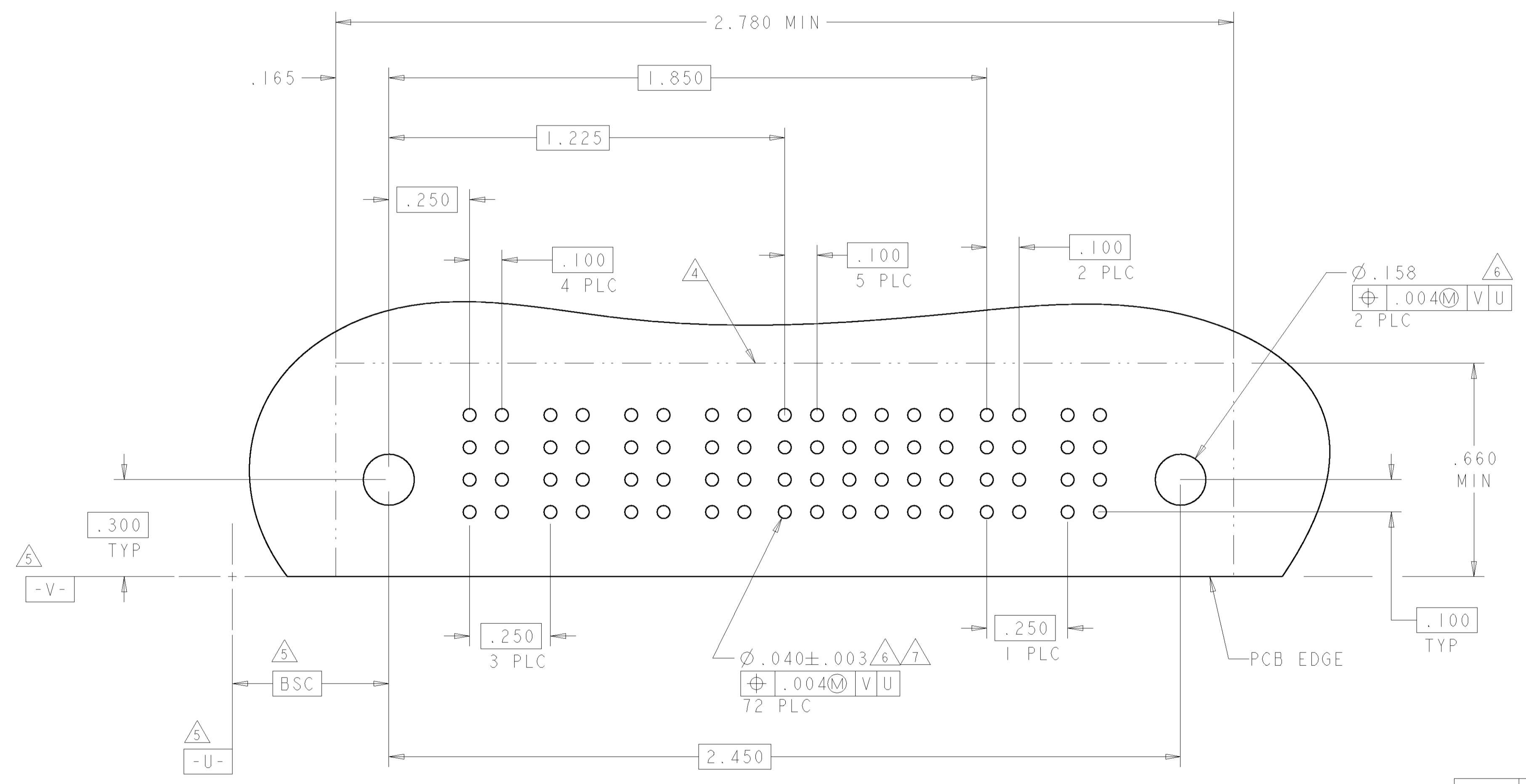


4P + 24S + 2P	3-6450330-4
DESCRIPTION	PART NUMBER

<small>THIS DRAWING IS UNPUBLISHED. RELEASED FOR PUBLICATION BY TICO ELECTRONICS CORPORATION. ALL RIGHTS RESERVED.</small>		DRN: R. GRZYBOWSKI CHK: M. PERCHERKE APVD: M. PERCHERKE	20SEP105 20SEP105 NAME: M. PERCHERKE	Tyco Electronics Harrisburg, PA 17105-3608
DIMENSIONS: INCHES		TOLERANCES UNLESS OTHERWISE SPECIFIED:		PRODUCT SPEC: 108-1973 APPLICATION SPEC: 114-13038 WEIGHT: - CUSTOMER DRAWING
0 PLC ±0 1 PLC ±0.01 2 PLC ±0.01 3 PLC ±0.005 4 PLC ±0.0020		0 PLC ±0 1 PLC ±0.01 2 PLC ±0.01 3 PLC ±0.005 4 PLC ±0.0020		
MATERIAL: ②		FINISH: ③		SIZE: 114-13038 CAGE CODE: 00779 DRAWING NO: 3-6450330-4 SCALE: 4:1 SHEET: 1 OF 2 REV: 1

LOC	DIST	REVISIONS			
P	LTR	DESCRIPTION	DATE	DRN	APVD
-	-	SEE SHEET 1	-	-	-

PART NUMBER	ROWS	POWER				SIGNAL						POWER	
		P1	P2	P3	P4	1	2	3	4	5	6	P5	P6
3-6450330-4	D					J	J	E	J	J	J		
	C	PM	PM	PM	PM	K	K	K	K	K	K	PM	PM
	B					N	N	G	N	N	N		
	A					S	S	S	S	S	H		
4P + 24S + 2P													



MATING SEQUENCE	QTY	DESCRIPTION	IDENTIFIER
-	1	HOUSING, RIGHT ANGLE HEADER, MULTI-BEAM XL	HOUSING
MLBF	1	SIGNAL CONTACT, R/A HDR, MLBF, MB XL, ROW D	E
STD	5	SIGNAL CONTACT, R/A HDR, STD, MB XL, ROW D	J
STD	6	SIGNAL CONTACT, R/A HDR, STD, MB XL, ROW C	K
MLBF	1	SIGNAL CONTACT, R/A HDR, MLBF, MB XL, ROW B	G
STD	5	SIGNAL CONTACT, R/A HDR, STD, MB XL, ROW B	N
MLBF	1	SIGNAL CONTACT, R/A HDR, MLBF, MB XL, ROW A	H
STD	5	SIGNAL CONTACT, R/A HDR, STD, MB XL, ROW A	S
-	6	POWER CONTACT, R/A HDR, MB XL, .135 SOLDER LEG	PM

DIMENSIONS: INCHES 		TOLERANCES UNLESS OTHERWISE SPECIFIED: 0 PLC ±0 1 PLC ±0.01 2 PLC ±0.01 3 PLC ±0.01 4 PLC ±0.005 5 PLC ±0.0020 ANGLES ±0.010		DWN R. GRZYBOWSKI 20SEPT05 ENR M. PERCHERKE 20SEPT05 APVD M. PERCHERKE PRODUCT SPEC APPLICATION SPEC WEIGHT MATERIAL		Tyco Electronics Harrisburg, PA 17105-3608 NAME RIGHT ANGLE HEADER MULTI-BEAM XL, PWR-SIG-PWR, W/GUIDES .150 MTG HOLES, .135 SOLDER LEGS SIZE CAGE CODE DRAWING NO RESTRICTED TO A1 00779 C=3-6450330-4 SCALE 4:1 SHEET 2 OF 2 REV 1	
---------------------------	--	---	--	--	--	--	--