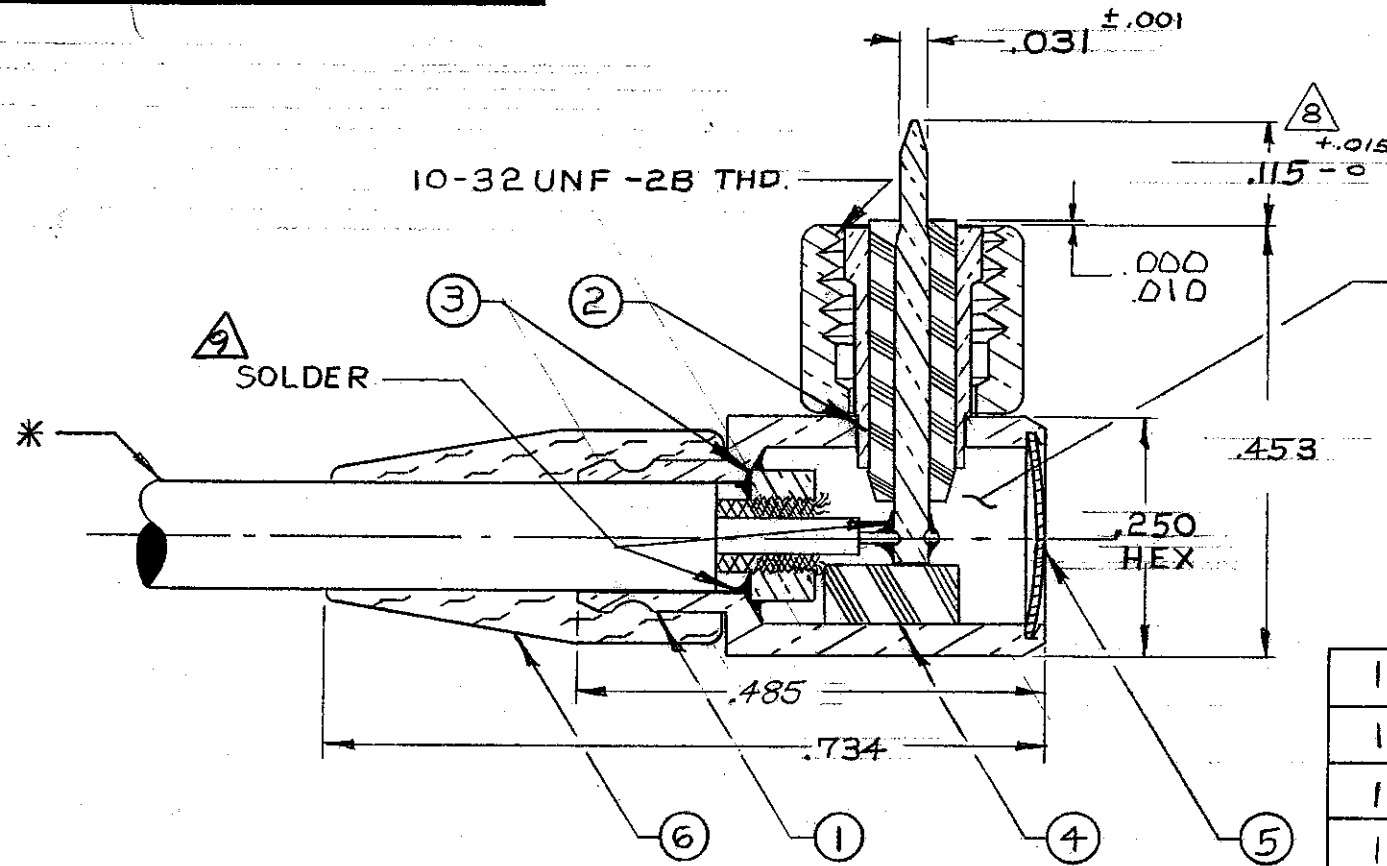


These drawings and specifications are the property of Microdot Inc., are issued in strict confidence and shall not be divulged, be reproduced or copied, or used as the basis for the manufacture or sale of any article without written permission of Microdot Inc.

* CABLE ACCEPTANCE DIMS.

JACKET DIA. - - - - - .112 MAX.
SHIELD DIA. - - - - - .075 MAX.
CENTER COND. - - - - - .012 NOM.
(MICRODOT 250-39/2)



QTY.	PART No.	NOMENCLATURE	MAT. & SPEC.	FINISH	ITEM
1	003-0271-0000	B.R. CAP (BLACK)	SILICONE RUBBER, ZZ-R-765		⑥
1	003-0098-0001	SEAL DISC	F.M. BRASS, QQ-B-613	⑥	⑤
1	003-0331-0001	BACK-UP BUSHING	TEFLON, MIL-M-14077		④
1	003-0039-0001	RING	F.M. BRASS, QQ-B-626	⑥	③
	003-0050-0001	BUSHING	TEFLON, MIL-M-14077		
	003-0049-0002	PIN CONTACT	COPPER ALLOY	⑦	
1	003-1363-0001	CONTACT SUB-ASSY			②
	003-0029-0000	NUT (230D. KNURL)	F.M. BRASS, QQ-B-626		
	003-0078-0000	FERRULE	F.M. BRASS, QQ-B-626		
	005-1836-0000	BLOCK	F.M. BRASS, QQ-B-626		
1	005-3719-0001	HOUSING SUB-ASSY.		⑥	①

- ⑨ FOR ROHS COMPLIANCE USE Sn 96/Pb 4 OR Ag 96 HIGH TEMPERATURE SOLDER.
- ⑧ .115 DIM. TO BE MEASURED TO HOUSING.
- ⑦ GOLD PLATE PER MIL-G-45204, TYPE II, CLASS I.
- ⑥ SILVER PLATE .0002-.0004 PER QQ-S-365, TYPE II, GRADE A.
- 5. INSULATION RESISTANCE - 5.0×10^9 OHMS MIN.
- 4. WORKING VOLTAGE - 750 V.R.M.S.
- 3. ASSY. TOOL # 010-0016-0000 REQD.
- 2. FOR ASSY. INSTRUCTIONS SEE RF-ASMB-87 EXCEPT FOR SOLDER REQMT.
- 1. THIS CONNECTOR MATES WITH ALL RECEPT. & JACKS IN SERIES S-50 AS LISTED IN MICRODOT CATALOG.

NOTES: UNLESS OTHERWISE SPECIFIED

STANDARD TOLERANCES UNLESS OTHERWISE SPECIFIED DEC. ± .015 FRAC. ± _____ ANGLES ± _____ ECCENTRICITY _____ MAX. T.I.R. _____ HOLE DIA. ± _____ SURFACE ROUGHNESS _____ MICRO INCHES ✓ THREADS TO MIL-S-7742 COMMERCIAL TOLERANCES APPLY TO STOCK DIMENSIONS		<p>MICRODOT INC. SOUTH PASADENA, CALIF.</p>	
SURFACE TREATMENT		NOTED	
MATERIAL		NOTED	
APP		APP AW 3/30/07	
CHECKED BY		AW	
DRAWN BY		AW	
PROB CODE	SCALE	WT	DATE
934	5X		3/30/07
CODE	DRAWING NUMBER		
C.D.M.	R52-0337-0001 A		

RT ANGLE PLUG
ROHS COMPLIANT