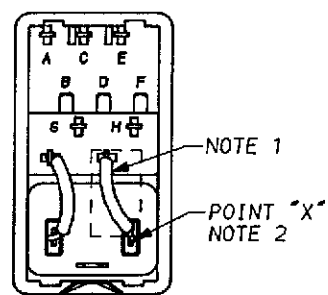
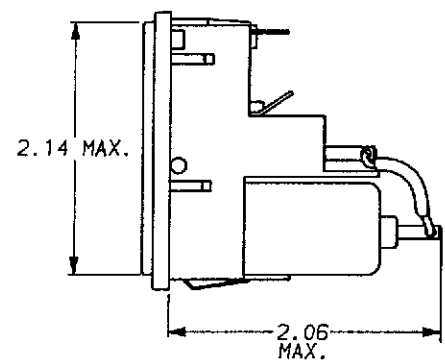
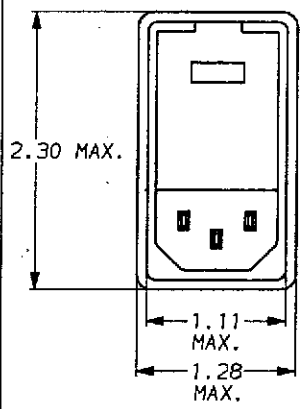
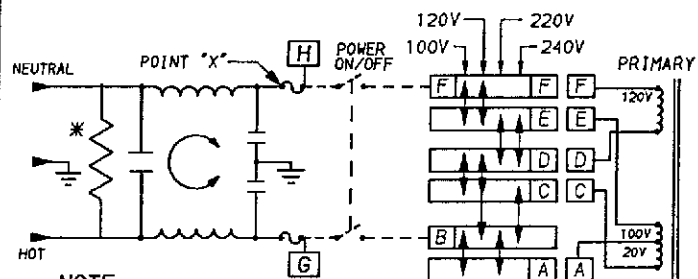


**RECOMMENDED PANEL CUTOUT**  
(NOT TO SCALE)

**NOTES:**  
 (A) FOR PANEL TH'K. OF .031 - .079  
 (B) FOR PANEL TH'K. OF .083 - .126  
 (C) FOR SNAP-IN APPLICATION, THE SIDES OF THE CUTOUT MUST HAVE A .020R. ON THE INSTALLATION SIDE.



NOTE, ALL BACKPLATE TERMINALS ARE .110 FASTONS.



**NOTE:**  
 1.) PROVISION FOR DUAL EUROPEAN STYLE FUSING 2EDL4CM ONLY.  
 2.) 2EDL4C CONNECT JUMPER OR SWITCH FROM POINT X TO F AND FROM G TO B.  
 OBSOLETE PARTS: OBSOLETE CIS STREAMLINING PER D.RENAUD/D.SINISI  
 \*RESISTOR ADDED TO PRODUCT BUILT AFTER 3-30-92 (S212).

**1609122-7** OBSOLETE **3**  
**6609122-7**  
**1609122-9**  
**6609122-9**

50n - 50n (MINIMUM) INSERTION LOSS									
FREQUENCY MHz	.05	.15	.50	1.0	3.0	5.0	10	30	
COMMON dB	6	14	20	24	35	40	45	50	
DIFF. dB	—	7	16	21	23	37	47	50	

TOLERANCE EXCEPT AS NOTED  
 DECIMAL: .XXX .XX .X ANGLES ± 1°  
 ENGLISH: ± .025  
 METRIC: ± —  
 MATERIAL: AS SUPPLIED  
 FINISH:

DESCRIPTION	APPROVED BY	DATE	REV
ECO-09-026495	C. Westlich	4-30-92	7
	AEG	30DEC09	H1

**SAFETY ORGANIZATION(S):**  
 THIS FILTER HAS BEEN FORMALLY RECOGNIZED, CERTIFIED OR APPROVED BY THE LISTED AGENCY. THEREFORE, ALL TEST/REQUIREMENTS SPECIFIED IN THE LATEST REVISION OF THE FOLLOWING AGENCY STANDARDS HAVE BEEN MET.

UL RECOGNIZED  
 CSA CERTIFIED  
 VDE APPROVED  
 SEMKO APPROVED  
 SEV APPROVED

UL 1289  
 CSA 22.2, NO.0,0.4,B  
 VDE 565-3, 625  
 SEN 432901  
 SEV 1055/TP1977/5.1.1

**OPERATING SPECIFICATIONS:**  
**LINE VOLTAGE/CURRENT:** 2 AMP., 120/250 VAC  
 2 AMP./40°C, 250 VAC  
**LINE FREQUENCY:** 50-60Hz  
**MAX. LEAKAGE CURRENT, EACH LINE TO GROUND:** .25mA @ 120V 60Hz  
 .40mA @ 250V 50Hz  
**OPERATING AMBIENT TEMP. RANGE:** -10°C TO +40°C @ RATED CURRENT, I<sub>r</sub>  
 IN AN AMBIENT, T<sub>a</sub>, HIGHER THAN 40°C, THE MAXIMUM OPERATING CURRENT, I<sub>o</sub>, IS AS FOLLOWS:

$$I_o = I_r \sqrt{\frac{85 - T_a}{45}}$$

**RELIABILITY SPECIFICATIONS:**  
**STORAGE TEMPERATURE:** -25°C TO +85°C  
**HUMIDITY:** 21 DAYS @ 40°C 95% RH  
**CURRENT OVERLOAD TEST:** 6 TIMES RATED CURRENT FOR 8 SECONDS

**TEST SPECIFICATIONS:**  
**INDUCTANCE:** .79mH NOMINAL  
**CAPACITANCE, (MEASURED @ 1 KHz, 0.25 VAC MAX., 25°C ± 1°C)**  
 LINE TO GROUND: .0028µF ± 20%  
 LINE TO LINE: .047µF ± 20%  
**DISCHARGE RESISTOR:** 1.5 MΩ  
**LINE/GROUND AND LINE/LINE:** 6000 MΩ (MIN) AT 100 VDC  
**INSULATION RESISTANCE (W/O DISCHARGE RESISTOR):** 20°C AND 50% RH

**RECOMMENDED RECEIVING INSPECTION HIPOT:**  
 LINES TO GROUND: 2250 VDC FOR 1 MINUTE  
 LINE TO LINE: 1450 VDC FOR 1 MINUTE

**FILTER APPROVAL:**  
 THE BEST WAY TO SELECT AND QUALIFY A FILTER IS FOR YOUR ENGINEERING TO TEST THE UNIT IN YOUR EQUIPMENT.



**POWER LINE FILTER**

SCALE	DATE	DRG. NO.	REV.
NTS	3-4-87	2EDL4C & 2EDL4CM	H1
DRW. BY	ORIGINATOR		
LJD	CFW		

This document is proprietary to CORCOM INC. and is not to be reproduced nor used for manufacturing purposes except on CORCOM's order or prior written consent.