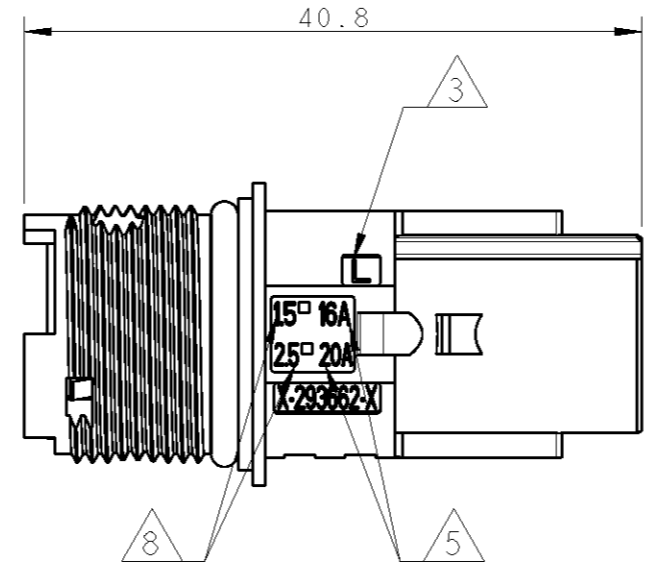
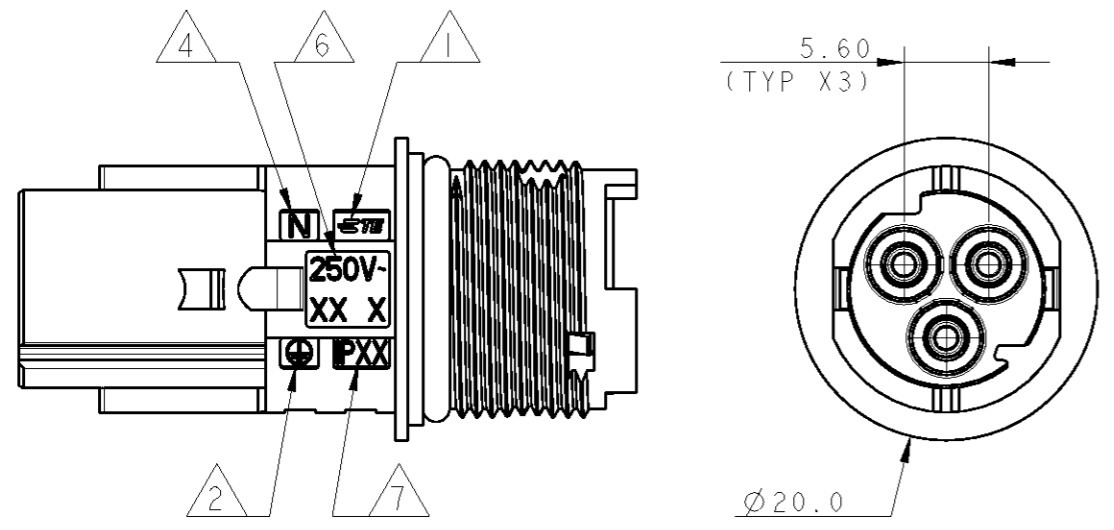


THIS DRAWING IS UNPUBLISHED. RELEASED FOR PUBLICATION 2011  
 © COPYRIGHT 2011 Tyco Electronics AMP GmbH ALL RIGHTS RESERVED.

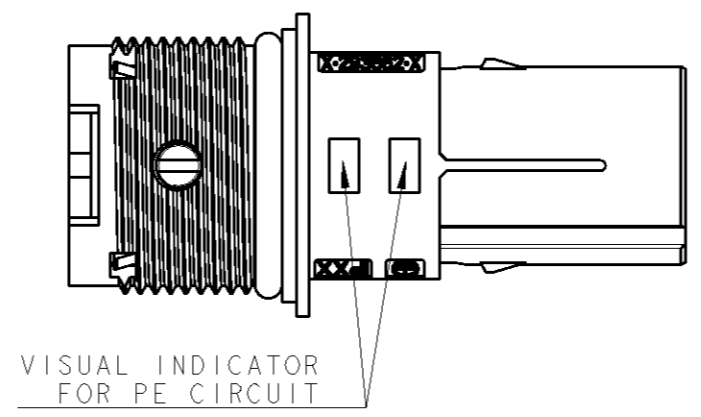
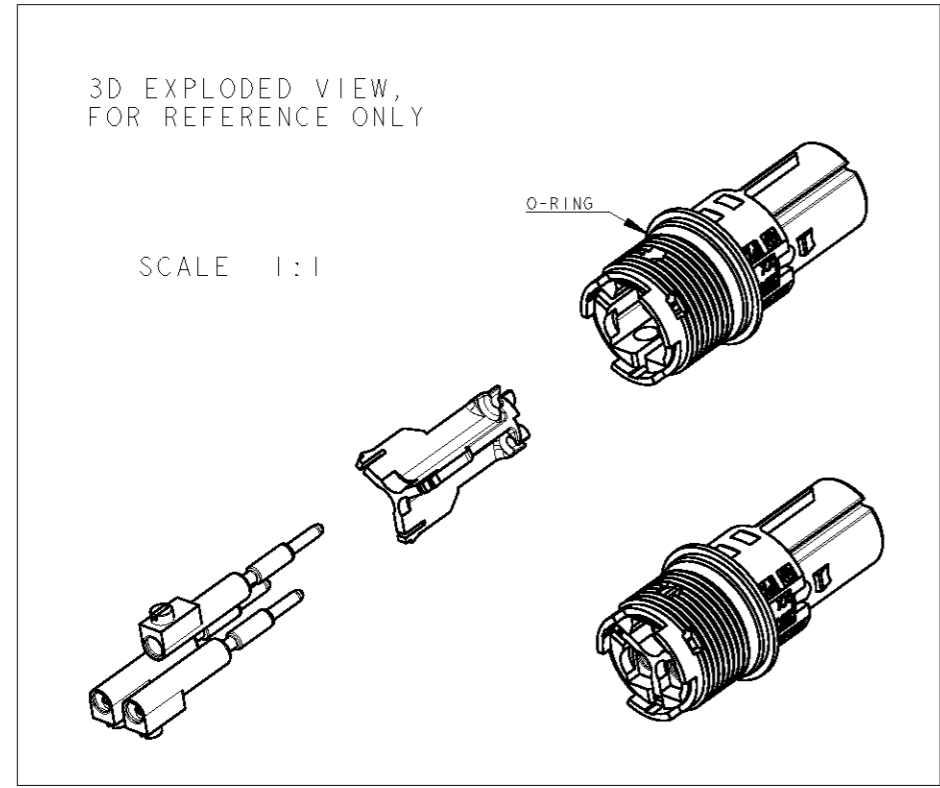
LOC	DIST	REVISIONS				
P	LTR	DESCRIPTION	DATE	DWN	APVD	
1	-	FIRST EMISSION	22SEP2011	MZ	GT	



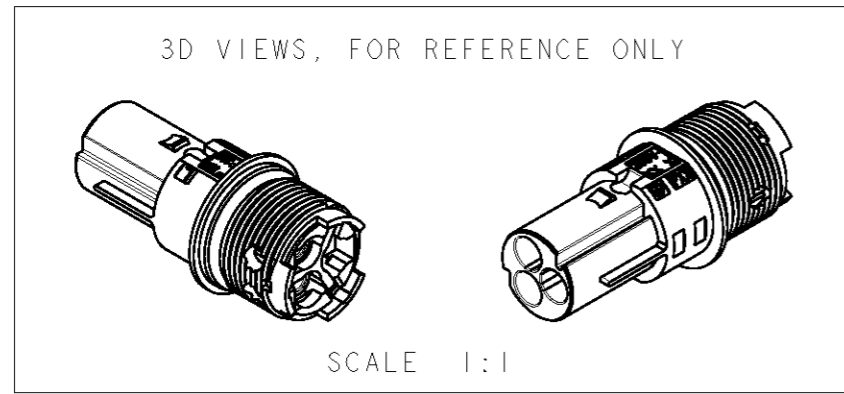
**NOT YET RELEASED FOR PRODUCTION**  
**PRELIMINARY**

NOTES:

- △ 1 TE LOGO
- △ 2 PE CODE
- △ 3 L CODE
- △ 4 N CODE
- △ 5 RATED CURRENT
- △ 6 RATED VOLTAGE
- △ 7 IP CODE
- △ 8 CONDUCTOR SIZE



COLOUR	DESCRIPTION	POL. KEYS	REV.	PART NUMBER
BLACK	SKT HSG ASS'Y FIELD INSTALL. NECTOR* M-LINE	F	1	293802-6
BLACK	SKT HSG ASS'Y FIELD INSTALL. NECTOR* M-LINE	E	1	293802-5
BLACK	SKT HSG ASS'Y FIELD INSTALL. NECTOR* M-LINE	D	1	293802-4
BLACK	SKT HSG ASS'Y FIELD INSTALL. NECTOR* M-LINE	C	1	293802-3
BLACK	SKT HSG ASS'Y FIELD INSTALL. NECTOR* M-LINE	B	1	293802-2
BLACK	SKT HSG ASS'Y FIELD INSTALL. NECTOR* M-LINE	A	1	293802-1



THIS DRAWING IS A CONTROLLED DOCUMENT.

DIMENSIONS:	TOLERANCES UNLESS OTHERWISE SPECIFIED:
mm	0 PLC ±-
	1 PLC ±0.3
	2 PLC ±0.20
	3 PLC ±-
	4 PLC ±-
	ANGLES ±3°
MATERIAL	FINISH
-	-

**STE** TE Connectivity

NAME: PIN HOUSING ASSEMBLY SEALED FIELD INSTALLABLE VERSION NECTOR\* M-LINE 3 POSITIONS

SIZE: A300779 CAGE CODE: C-293802 DRAWING NO: 293802

RESTRICTED TO: -

CUSTOMER DRAWING SCALE 2:1 SHEET 1 OF 2 REV 1

THIS DRAWING IS UNPUBLISHED. RELEASED FOR PUBLICATION 2011  
 © COPYRIGHT 2011 Tyco Electronics AMP GmbH ALL RIGHTS RESERVED.

LOC	DIST	REVISIONS					
		P	LTR	DESCRIPTION	DATE	DWN	APVD
1	-	-	-	SEE SHEET 1	-	-	-

TYPE "A"	TYPE "B"	TYPE "C"
P/N 293802-1	P/N 293802-2	P/N 293802-3
TYPE "D"	TYPE "E"	TYPE "F"
P/N 293802-4	P/N 293802-5	P/N 293802-6

**PRELIMINARY**

**NOT YET RELEASED FOR PRODUCTION**

THIS DRAWING IS A CONTROLLED DOCUMENT.		DWN M. ZUCCA 22SEP2011	TE Connectivity NAME PIN HOUSING ASSEMBLY SEALED FIELD INSTALLABLE VERSION NECTOR* M-LINE 3 POSITIONS			
DIMENSIONS: mm		CHK M. ZUCCA 22SEP2011				
 TOLERANCES UNLESS OTHERWISE SPECIFIED: 0 PLC ±- 1 PLC ±0.3 2 PLC ±0.20 3 PLC ±- 4 PLC ±- ANGLES ±3°		APVD G. TURCO 22SEP2011				
MATERIAL	FINISH	PRODUCT SPEC	SIZE	CAGE CODE	DRAWING NO	RESTRICTED TO
-	-	-	A3	00779	C=293802	-
CUSTOMER DRAWING			SCALE 2:1	SHEET 2 OF 2	REV 1	