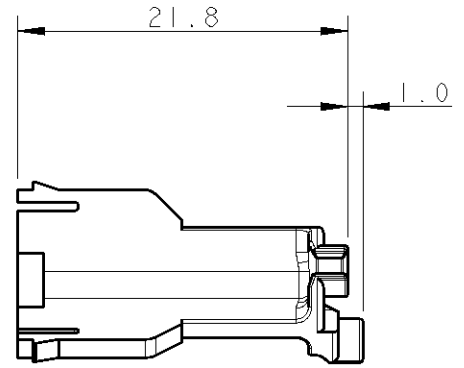
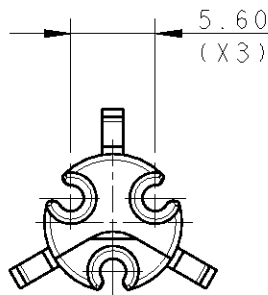
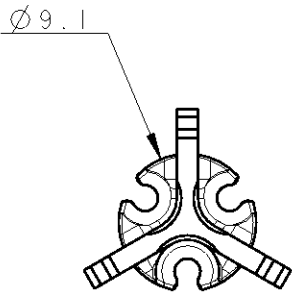


LOC	DIST	REVISIONS			
P	LTR	DESCRIPTION	DATE	DWN	APVD
		FIRST EMISSION	21JUN2011	MZ	GT



PRELIMINARY NOT YET TOOLED

3D VIEWS, FOR REFERENCE ONLY



SCALE 1:1

NOTES:

- 1) MATERIAL: POLYAMIDE GLASS FILLED NATURAL COLOUR
- 2) PACKAGING: T.B.D.

CTC POSITIONER NECTOR* M-LINE	1	293793-1
DESCRIPTION	REV.	PART NUMBER

THIS DRAWING IS UNPUBLISHED. 2011 RELEASED FOR PUBLICATION

© COPYRIGHT 2011 Tyco Electronics AMP Italia ALL RIGHTS RESERVED.

DIMENSIONS: mm	DWN M. ZUCCA	21JUN2011	MATERIAL	NOTE 1	FINISH	-
	CHK M. ZUCCA	21JUN2011	TE Connectivity			
TOLERANCES UNLESS OTHERWISE SPECIFIED:	APVD G. TURCO	21JUN2011				
	0 PLC ±-	PRODUCT SPEC	-	SIZE	CAGE CODE	DRAWING NO
1 PLC ±0.3	APPLICATION SPEC	-	A 400779	C=293793		-
2 PLC ±0.20	WEIGHT	-	CUSTOMER DRAWING			
3 PLC ±-			SCALE	2:1	SHEET	1 OF 1
4 PLC ±-						REV
ANGLES ±3°						

