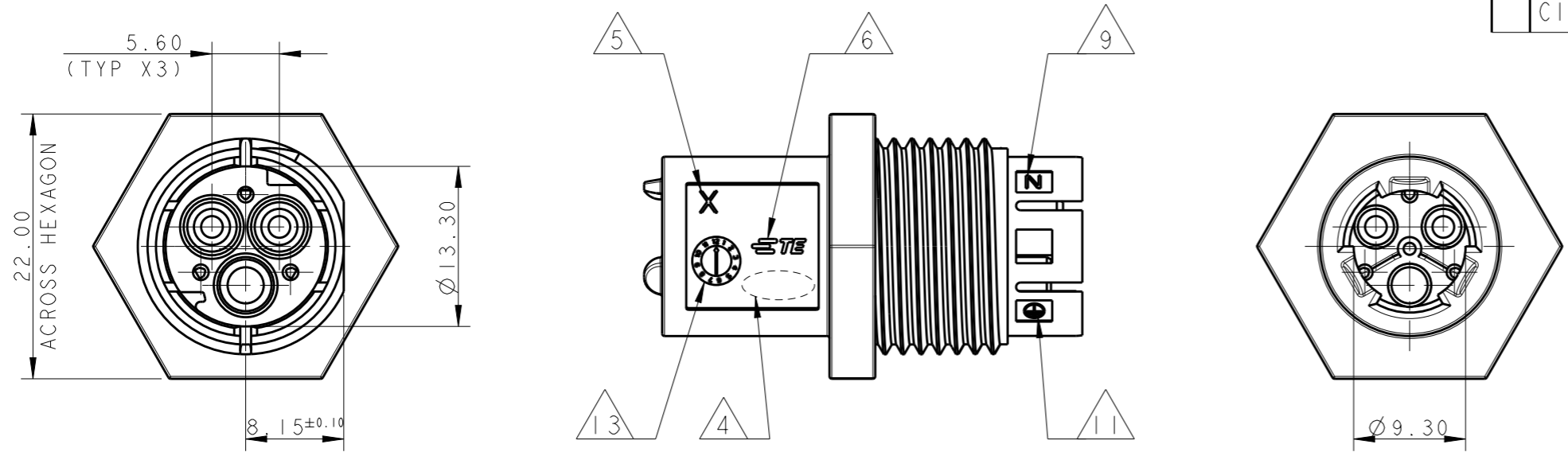
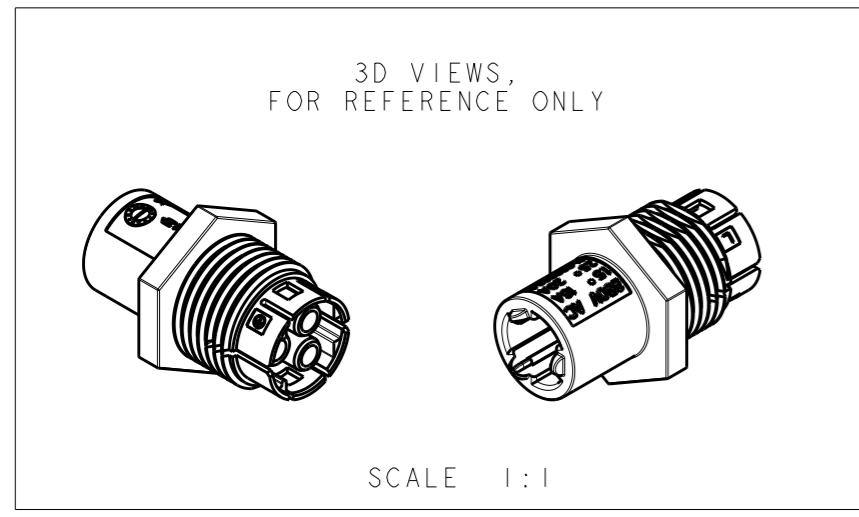
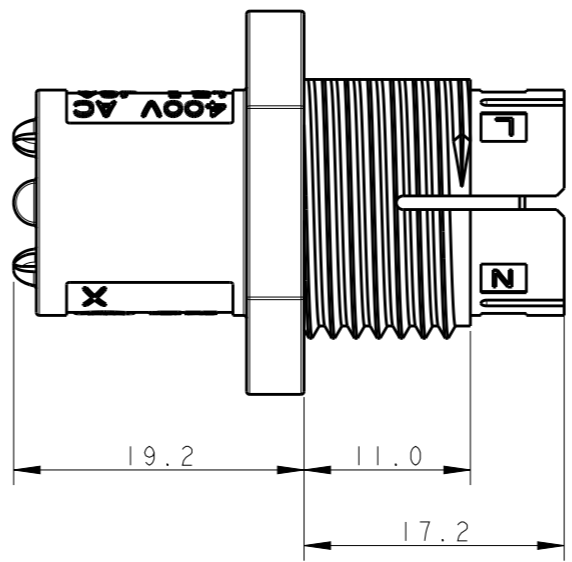
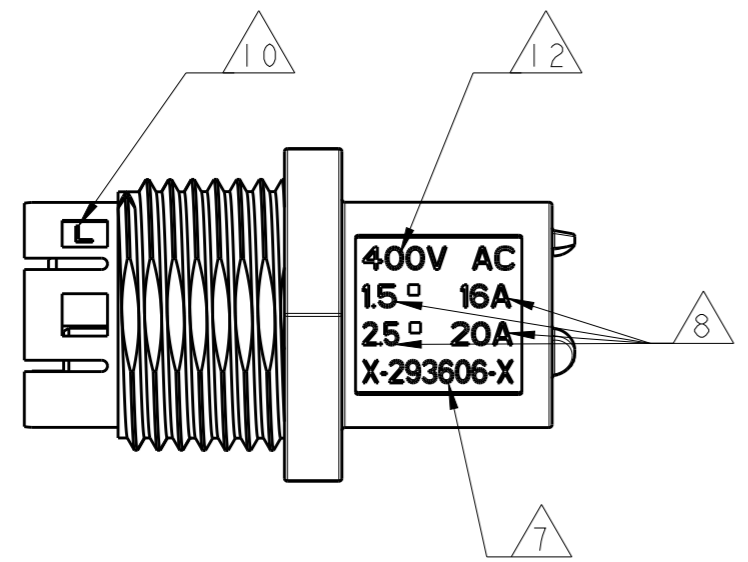



THIS DRAWING IS UNPUBLISHED. RELEASED FOR PUBLICATION 2011
 © COPYRIGHT 2011 BY - ALL RIGHTS RESERVED.

LOC	DIST	REVISIONS			
P	LTR	DESCRIPTION	DATE	DWN	APVD
B2		PARTS -2, -3, 1-2, 1-3	26JUN2013	KR	JC
B3		ECR-15-010109	21JUL2015	RS	PO
C		REVISED PART NUMBERS AND ALIGNED REVISIONS	17JUL2017	SK	MZ
C1		REVISED PER ECR-18-006945	20SEP2018	SR	MZ



- NOTES:
- 1 MATERIAL: POLYAMIDE GLASS FILLED COLOUR NATURAL
 - 2 MATERIAL: POLYAMIDE GLASS FILLED COLOUR BLACK
 - 3) PACKAGING: SEE TE PACKAGING SPEC. 107-20294
 - 4 AREA FOR AGENCY APPROVAL LOGO
 - 5 CAVITY MOULD I.D. & MANUFACTURING LOCATION CODE
 - 6 TE LOGO
 - 7 TE PART NUMBER
 - 8 CONDUCTOR SIZE AND CURRENT RATING
 - 9 N CODE
 - 10 L CODE
 - 11 PE CODE
 - 12 RATED VOLTAGE
 - 13 DATE CODE



THIS DRAWING IS A CONTROLLED DOCUMENT.		DWN M. ZUCCA 06SEP2010	 TE Connectivity	
DIMENSIONS: mm		CHK M. ZUCCA 06SEP2010		
TOLERANCES UNLESS OTHERWISE SPECIFIED:		APVD G. TURCO 06SEP2010	NAME SOCKET HOUSING PANEL MOUNT VERSION NECTOR* M-LINE	
0 PLC ±-		PRODUCT SPEC 108-20304	SIZE A3	
1 PLC ±0.3		APPLICATION SPEC 114-20152	CAGE CODE 00779	DRAWING NO C-293606
2 PLC ±0.20		WEIGHT ~5.9 g	RESTRICTED TO -	
3 PLC ±-		Customer Drawing	SCALE 2:1	SHEET 1 OF 4
4 PLC ±-				REV C1
ANGLES ±3°				
FINISH -				
MATERIAL SEE NOTES				

THIS DRAWING IS UNPUBLISHED.

RELEASED FOR PUBLICATION

2011

© COPYRIGHT 2011 BY -

ALL RIGHTS RESERVED.

LOC	DIST	REVISIONS					
		P	LTR	DESCRIPTION	DATE	DWN	APVD
1	-			SEE SHEET 1	-	-	-

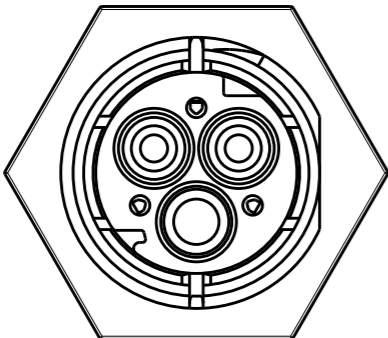
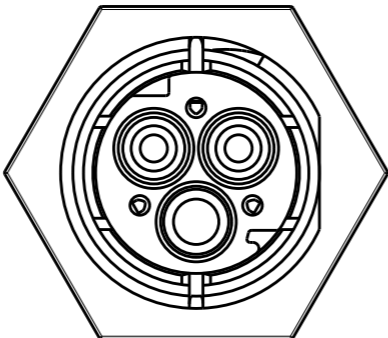
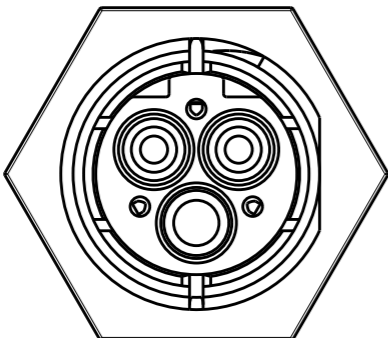
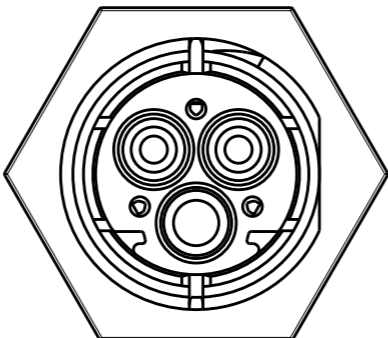
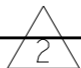



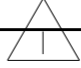

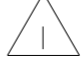


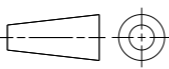
POLARIZATION TYPES	
TYPE "A"	TYPE "B"
	
P/Ns: 0-293606-1, 1-293606-1	P/Ns: 0-293606-2, 1-293606-2
TYPE "C"	TYPE "D"
	
P/Ns: 0-293606-3, 1-293606-3	P/Ns: 0-293606-4, 1-293606-4,

TABLE I					
OBSOLETE		D	BLACK	SOCKET HOUSING PANEL MOUNT VERS. NECTOR* M-LINE	A 1-293606-4
		C	BLACK	SOCKET HOUSING PANEL MOUNT VERS. NECTOR* M-LINE	C 1-293606-3
		B	BLACK	SOCKET HOUSING PANEL MOUNT VERS. NECTOR* M-LINE	C 1-293606-2
		A	BLACK	SOCKET HOUSING PANEL MOUNT VERS. NECTOR* M-LINE	C 1-293606-1
OBSOLETE		D	NATURAL	SOCKET HOUSING PANEL MOUNT VERS. NECTOR* M-LINE	A 0-293606-4
		C	NATURAL	SOCKET HOUSING PANEL MOUNT VERS. NECTOR* M-LINE	C 0-293606-3
		B	NATURAL	SOCKET HOUSING PANEL MOUNT VERS. NECTOR* M-LINE	C 0-293606-2
		A	NATURAL	SOCKET HOUSING PANEL MOUNT VERS. NECTOR* M-LINE	C 0-293606-1
MATERIAL	POL. KEYING	COLOUR	DESCRIPTION	REV.	PART NUMBER

THIS DRAWING IS A CONTROLLED DOCUMENT.		DWN M. ZUCCA 06SEP2010	 TE Connectivity		
DIMENSIONS: mm		CHK M. ZUCCA 06SEP2010			
TOLERANCES UNLESS OTHERWISE SPECIFIED:		APVD G. TURCO 06SEP2010	NAME SOCKET HOUSING PANEL MOUNT VERSION NECTOR* M-LINE		
		PRODUCT SPEC 108-20304	RESTRICTED TO		
0 PLC ± 1 PLC ±0.3 2 PLC ±0.20 3 PLC ± 4 PLC ± ANGLES ±3°		APPLICATION SPEC 114-20152	SIZE A3	CAGE CODE 00779	DRAWING NO C-293606
MATERIAL SEE NOTES		WEIGHT ~5.9 g	SCALE 2:1		
		Customer Drawing	SHEET 2 OF 4		
			REV C1		

THIS DRAWING IS UNPUBLISHED.

RELEASED FOR PUBLICATION

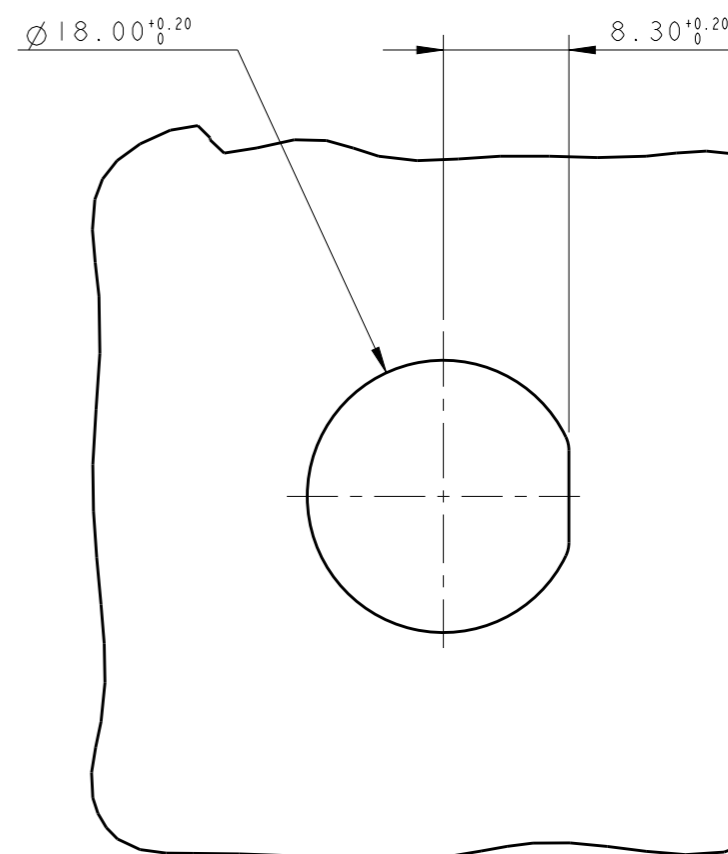
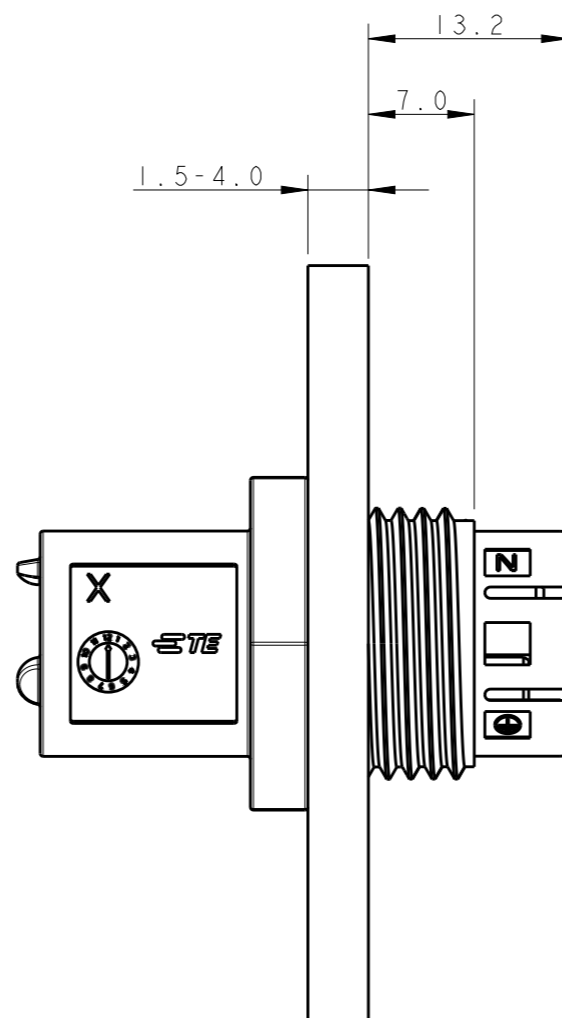
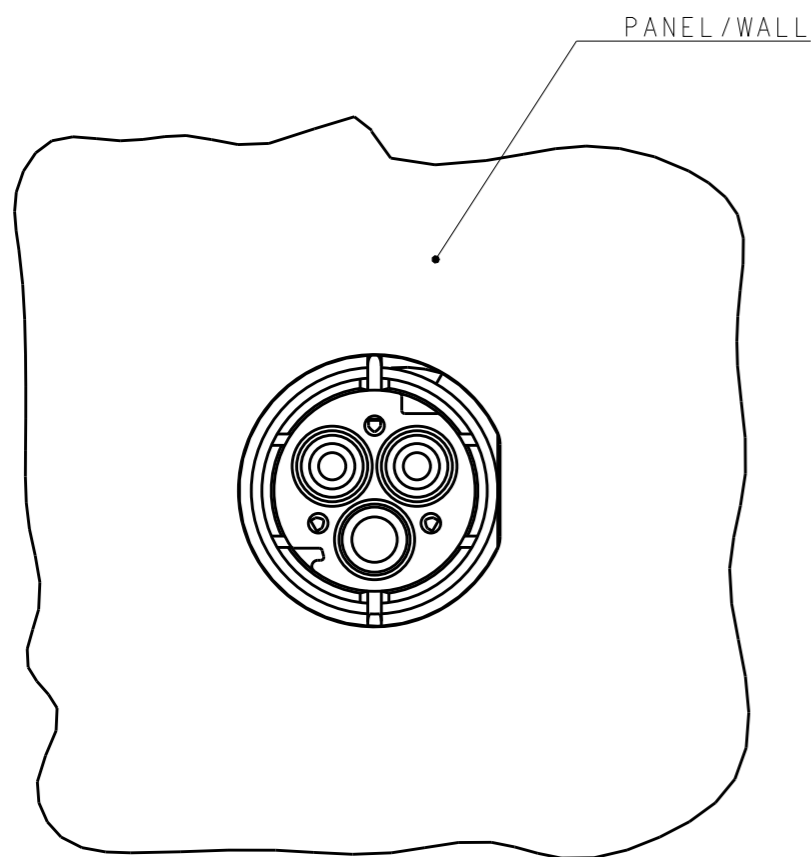
2011

© COPYRIGHT 2011 BY -

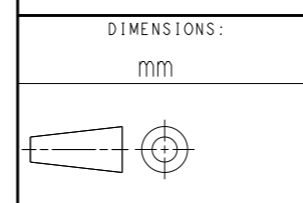
ALL RIGHTS RESERVED.

LOC	DIST	REVISIONS					
		P	LTR	DESCRIPTION	DATE	DWN	APVD
1	-	-	-	SEE SHEET 1	-	-	-

PANEL / WALL
SUGGESTED CUT OUT



THIS DRAWING IS A CONTROLLED DOCUMENT.



MATERIAL SEE NOTES

DIMENSIONS:		TOLERANCES UNLESS OTHERWISE SPECIFIED:	
	mm		
0 PLC		±	-
1 PLC		±	0.3
2 PLC		±	0.20
3 PLC		±	-
4 PLC		±	-
ANGLES		±	3°
FINISH		-	

DWN	M. ZUCCA	06SEP2010
CHK	M. ZUCCA	06SEP2010
APVD	G. TURCO	06SEP2010
PRODUCT SPEC	108-20304	
APPLICATION SPEC	114-20152	
WEIGHT	~5.9 g	

		TE Connectivity		
		NAME		
SIZE		CAGE CODE	DRAWING NO	RESTRICTED TO
A300779		C=293606		-

THIS DRAWING IS UNPUBLISHED.

RELEASED FOR PUBLICATION

2011

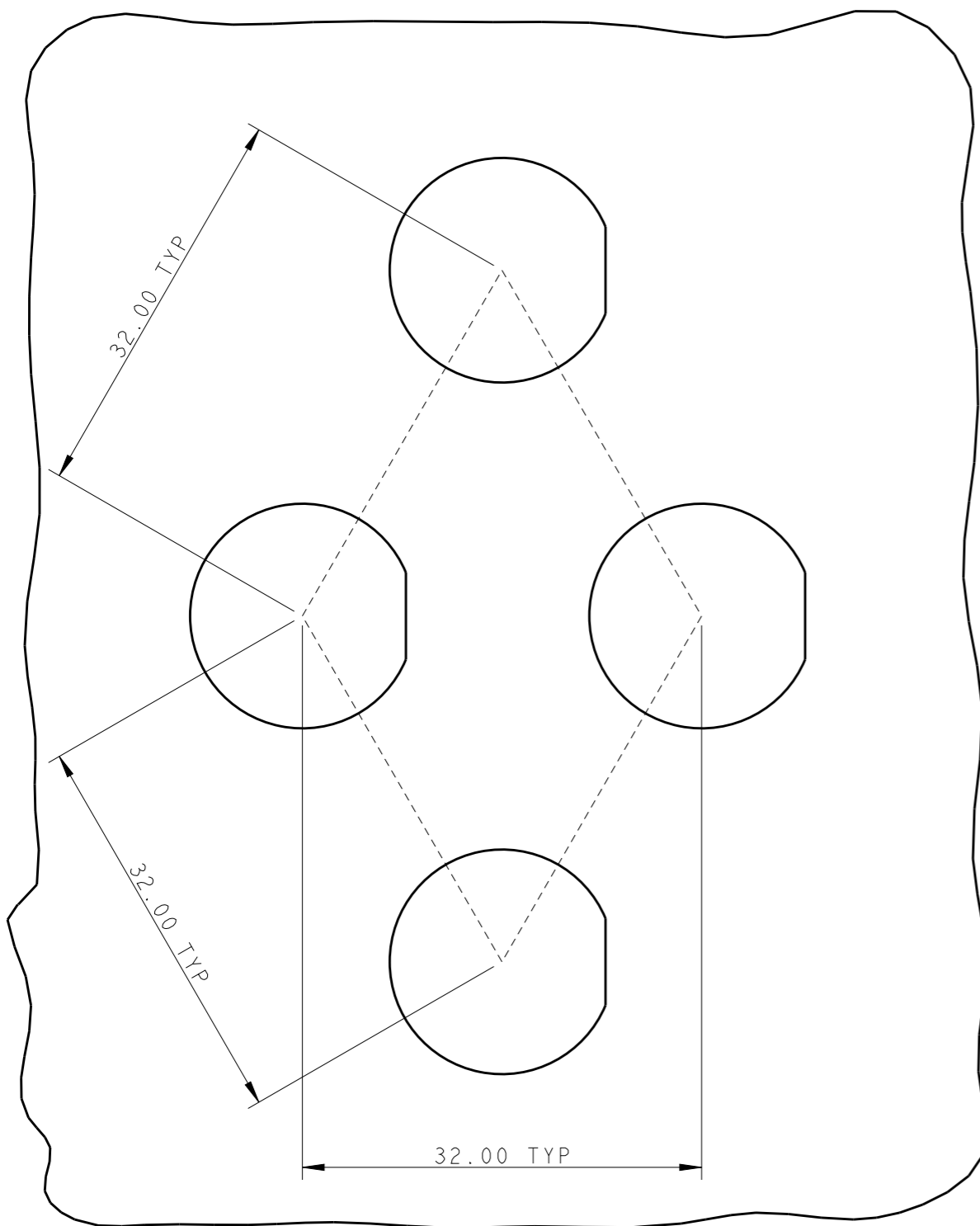
© COPYRIGHT 2011 BY -

ALL RIGHTS RESERVED.

LOC	DIST	REVISIONS			
P	LTR	DESCRIPTION	DATE	DWN	APVD
	-	SEE SHEET 1	-	-	-

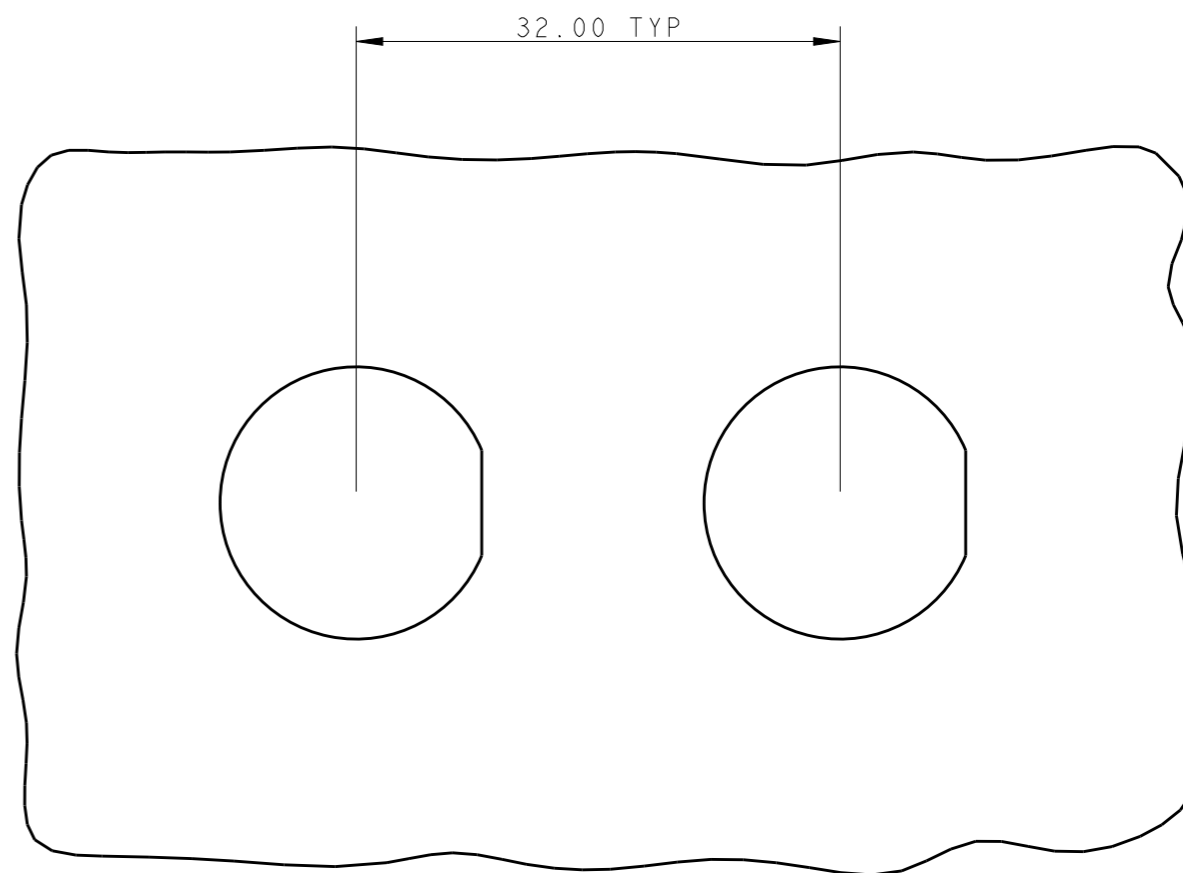
PANEL / WALL
SUGGESTED CUT OUT FOR
MULTIPLE HOLES ON MULTIPLE ROWS


(PITCH CAN BE ADJUSTED TO CUSTOMER
 NEED BUT IN ANY CASE MUST NOT BE LESS
 THAN 30.00 mm)



PANEL / WALL
SUGGESTED CUT OUT FOR
MULTIPLE HOLES ON SINGLE ROW

(PITCH CAN BE ADJUSTED TO CUSTOMER
 NEED BUT IN ANY CASE MUST NOT BE LESS
 THAN 30.00 mm)



THIS DRAWING IS A CONTROLLED DOCUMENT.		DWN M. ZUCCA	06SEP2010	 TE Connectivity	
DIMENSIONS: mm		CHK M. ZUCCA	06SEP2010		
TOLERANCES UNLESS OTHERWISE SPECIFIED:		APVD G. TURCO	06SEP2010	NAME SOCKET HOUSING PANEL MOUNT VERSION NECTOR* M-LINE	
0 PLC ±-		PRODUCT SPEC 108-20304		SIZE A3	
1 PLC ±0.3		APPLICATION SPEC 114-20152		CAGE CODE 300779	DRAWING NO C-293606
2 PLC ±0.20		WEIGHT ~5.9 g		RESTRICTED TO -	
3 PLC ±-		Customer Drawing		SCALE 2:1	SHEET 4 OF 4
4 PLC ±-				REV C1	
ANGLES ±3°					
FINISH -					
MATERIAL SEE NOTES					