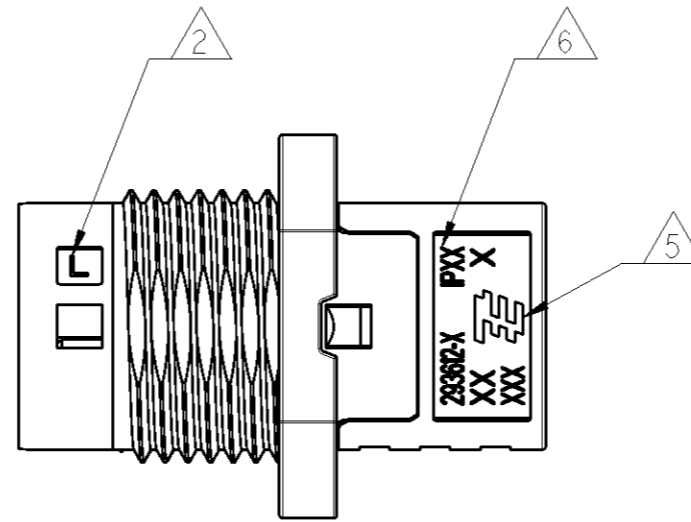
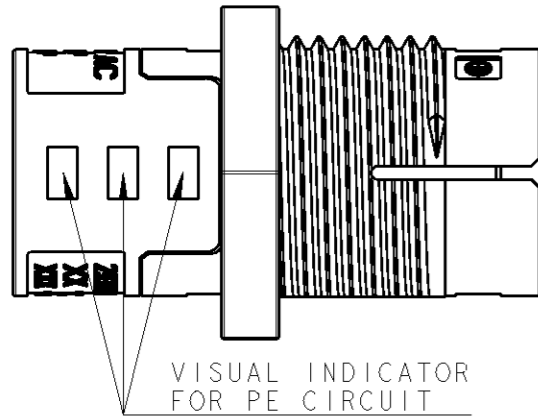
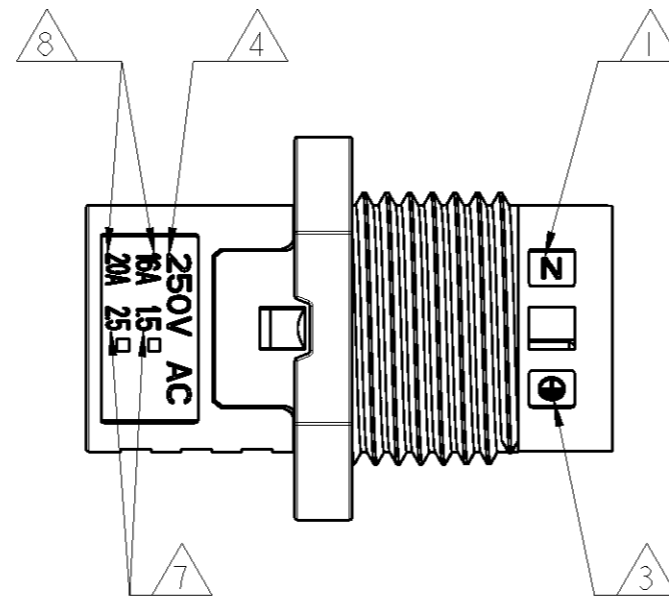
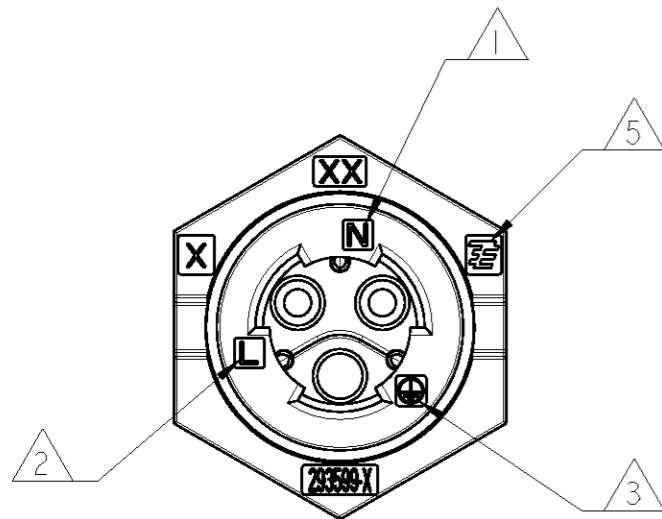


| LOC | DIST | REVISIONS | | | |
|-----|------|----------------|-----------|-----|------|
| P | LTR | DESCRIPTION | DATE | DWN | APVD |
| 1 | - | FIRST EMISSION | 15NOV2011 | MZ | GT |

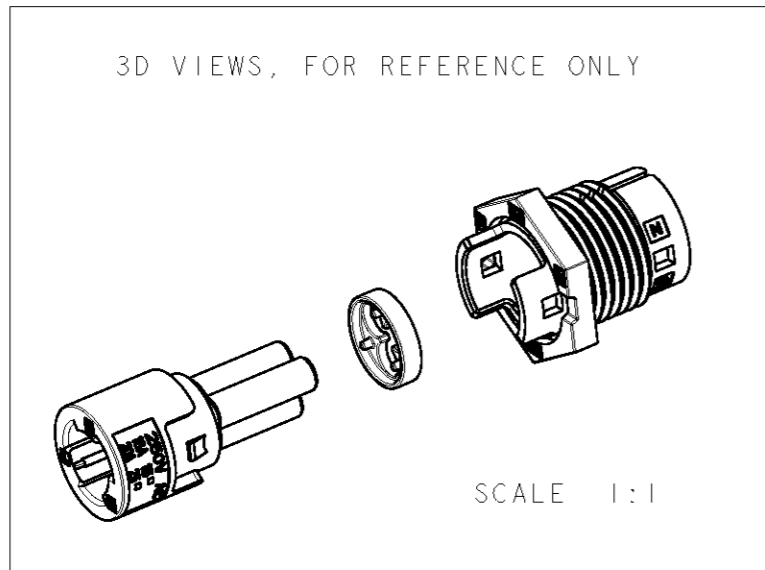


NOTES:

- △ 1 N CODE
- △ 2 L CODE
- △ 3 PE CODE
- △ 4 RATED VOLTAGE
- △ 5 TE LOGO
- △ 6 IP CODE
- △ 7 CONDUCTOR SIZE
- △ 8 RATED CURRENT
- 9) COLOUR: BLACK FOR PLASTIC COMPONENTS



| POL. KEYING | DESCRIPTION | PART NUMBER |
|-------------|--|-------------|
| F | SKT HOUSING ASS'Y CRIMP SEAL VERS. NECTOR M-LINE | 293571-6 |
| E | SKT HOUSING ASS'Y CRIMP SEAL VERS. NECTOR M-LINE | 293571-5 |
| D | SKT HOUSING ASS'Y CRIMP SEAL VERS. NECTOR M-LINE | 293571-4 |
| C | SKT HOUSING ASS'Y CRIMP SEAL VERS. NECTOR M-LINE | 293571-3 |
| B | SKT HOUSING ASS'Y CRIMP SEAL VERS. NECTOR M-LINE | 293571-2 |
| A | SKT HOUSING ASS'Y CRIMP SEAL VERS. NECTOR M-LINE | 293571-1 |



PRELIMINARY

| | | | | |
|--|--|-------------------------------|--|--|
| THIS DRAWING IS A CONTROLLED DOCUMENT. | | DWN M. ZUCCA 15NOV2011 | TE Connectivity | |
| DIMENSIONS: mm | | CHK M. ZUCCA 15NOV2011 | | |
| TOLERANCES UNLESS OTHERWISE SPECIFIED: | | APVD G. TURCO 15NOV2011 | NAME SOCKET HOUSING ASSEMBLY PANEL MOUNT VERSION NECTOR* M-LINE 3 POLES | |
| 0 PLC ±- | | PRODUCT SPEC | SIZE CAGE CODE DRAWING NO RESTRICTED TO | |
| 1 PLC ±0.3 | | APPLICATION SPEC | A300779 C=293571 | |
| 2 PLC ±0.20 | | WEIGHT | SCALE 2:1 SHEET 1 OF 2 REV 1 | |
| 3 PLC ±- | | CUSTOMER DRAWING | | |
| 4 PLC ±- | | | | |
| ANGLES ±3° | | | | |
| MATERIAL - | | | | |
| FINISH - | | | | |

THIS DRAWING IS UNPUBLISHED.

RELEASED FOR PUBLICATION

2011

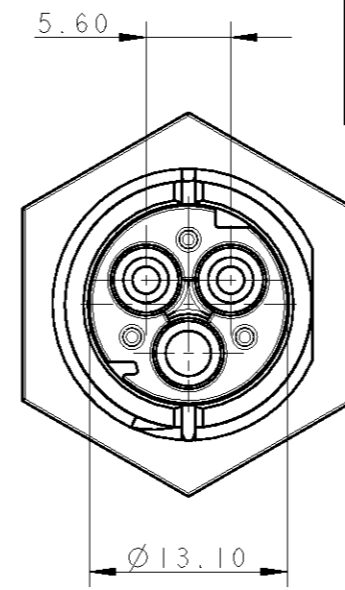
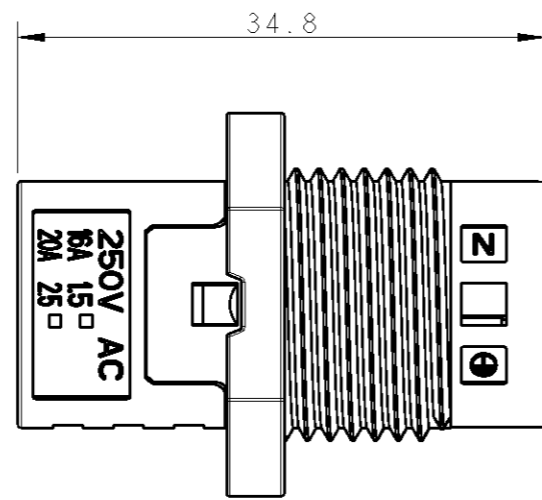
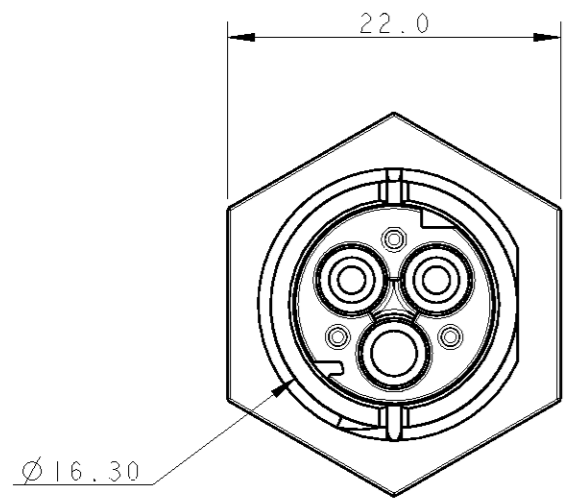
© COPYRIGHT 2011

Tyco Electronics AMP GmbH

ALL RIGHTS RESERVED.

| LOC | DIST |
|-----|------|
| 1 | - |

| REVISIONS | | | | |
|-----------|-----|-------------|------|------|
| P | LTR | DESCRIPTION | DATE | APVD |
| - | - | SEE SHEET 1 | - | - |
| | | | | |
| | | | | |

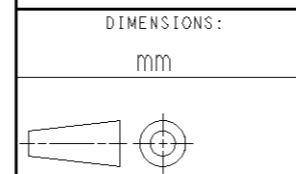


POLARIZATION KEYS

| TYPE "A" | TYPE "B" | TYPE "C" | TYPE "D" | TYPE "E" | TYPE "F" |
|-----------------|-----------------|-----------------|-----------------|-----------------|-----------------|
| P/N 293571-1 | P/N 293571-2 | P/N 293571-3 | P/N 293571-4 | P/N 293571-5 | P/N 293571-6 |
| | | | | | |

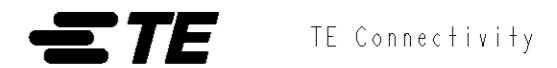
PRELIMINARY

THIS DRAWING IS A CONTROLLED DOCUMENT.



| | |
|-------------|--|
| DIMENSIONS: | TOLERANCES UNLESS OTHERWISE SPECIFIED: |
| mm | |
| 0 PLC | ±- |
| 1 PLC | ±0.3 |
| 2 PLC | ±0.20 |
| 3 PLC | ±- |
| 4 PLC | ±- |
| ANGLES | ±3° |
| MATERIAL | FINISH |
| - | - |

| | | |
|------------------|----------|-----------|
| DWN | M. ZUCCA | 15NOV2011 |
| CHK | M. ZUCCA | 15NOV2011 |
| APVD | G. TURCO | 15NOV2011 |
| PRODUCT SPEC | - | |
| APPLICATION SPEC | - | |
| WEIGHT | - | |



| | | | | |
|--|-----------|------------|--------------|---------------|
| NAME SOCKET HOUSING ASSEMBLY PANEL MOUNT VERSION NECTOR* M-LINE 3 POLES | | | | RESTRICTED TO |
| SIZE | CAGE CODE | DRAWING NO | - | |
| A300779 | C=293571 | - | | |
| CUSTOMER DRAWING | | SCALE 2:1 | SHEET 2 OF 2 | REV 1 |