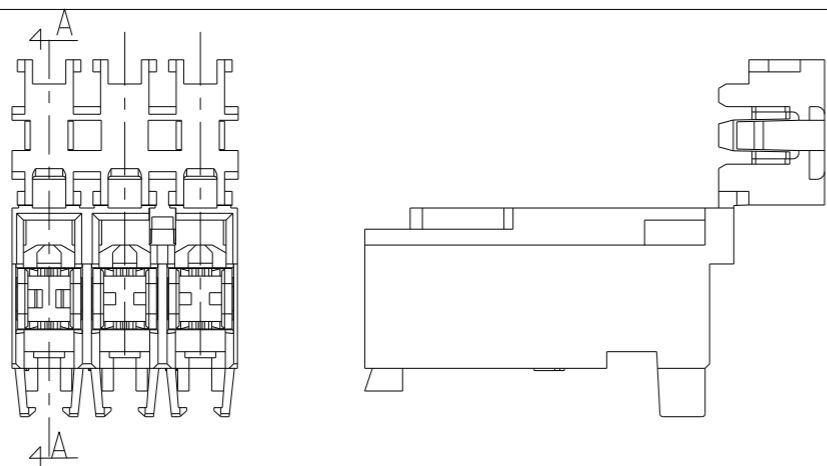


| LOC | DIST |
|-----|------|
| 1 | - |

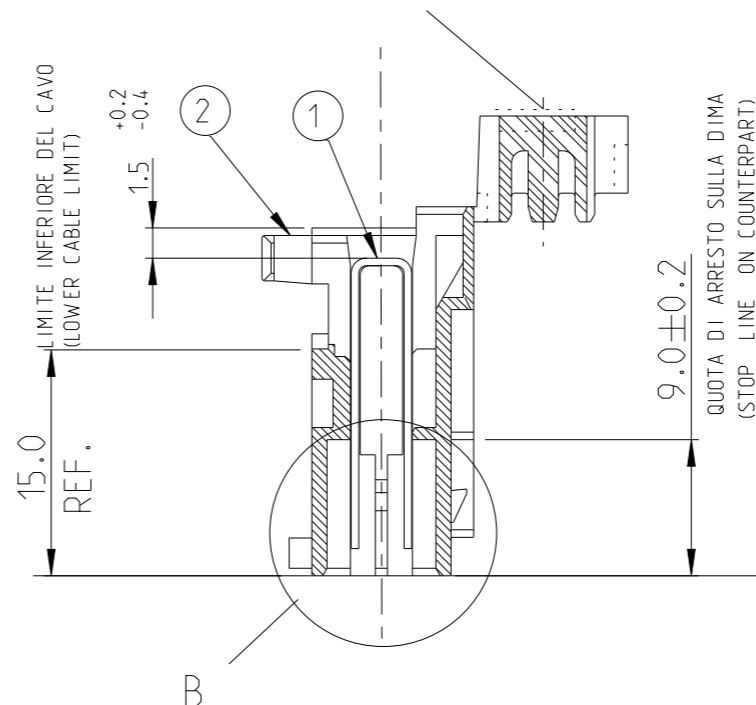
REVISIONS

| P | LTR | DESCRIPTION | DATE | DWN | APVD |
|----|---------------|-------------|-----------|-----|------|
| E1 | ECR-24-201992 | | 18MAR2024 | TL | FL |
| D6 | ECR-22-128431 | | 04FEB2022 | SM | FL |
| D7 | ECR-23-166323 | | 03MAR2023 | DC | FL |
| E | ECR-23-195739 | | 22DEC2023 | TL | FL |

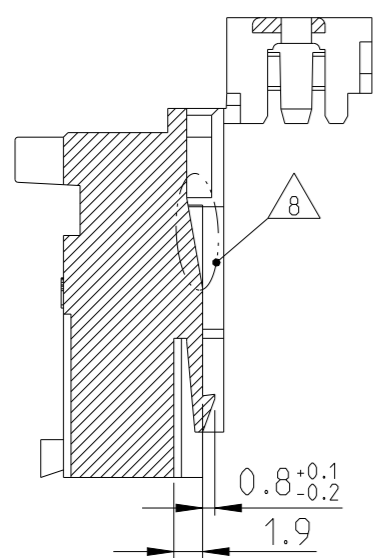
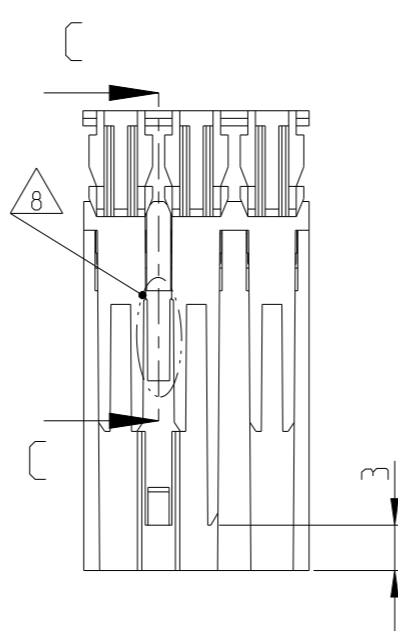
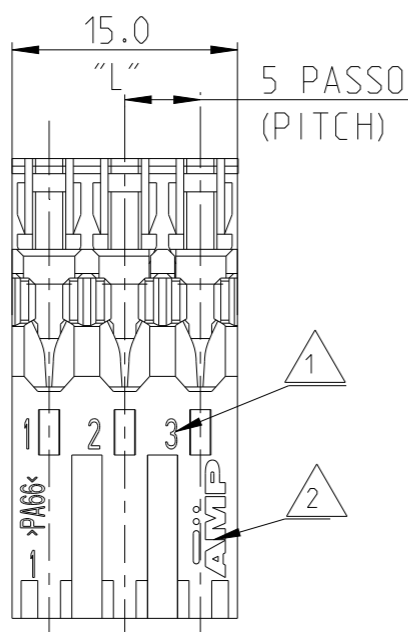
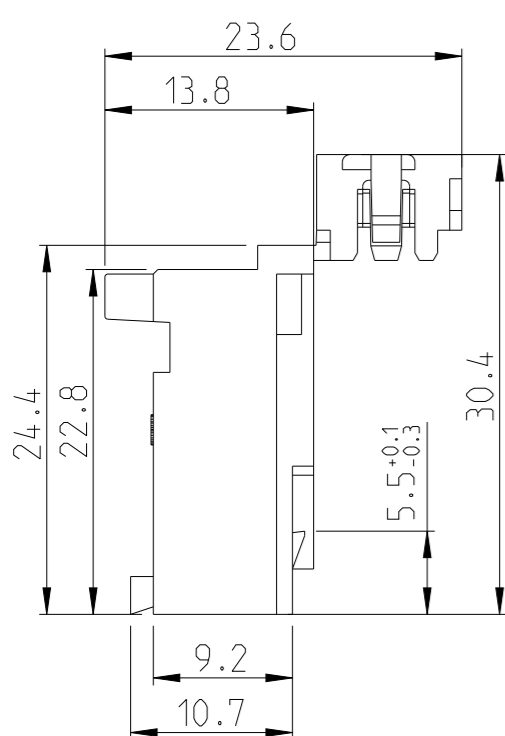
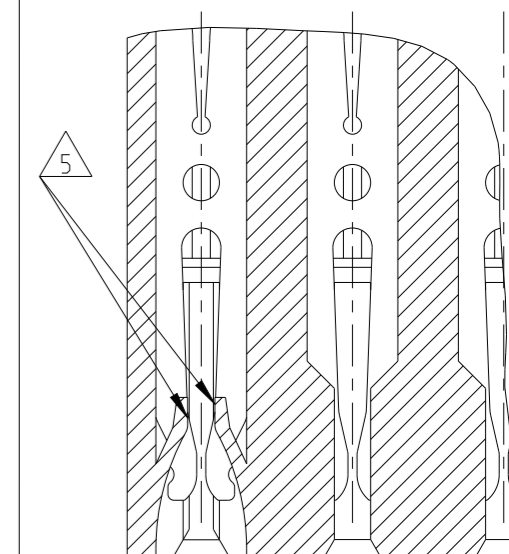


SEZ. A-A

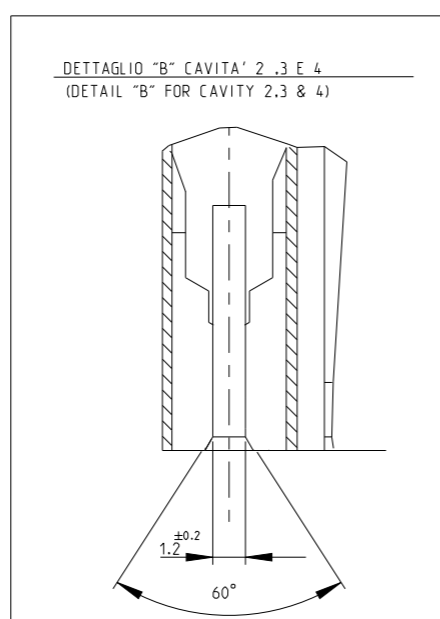
COLOR CODE STRIP ALLOCATO
IN QUESTA AREA DEL COPERCHIO
(COLOR CODE STRIP
LOCATED ON THE COVER AS SHOWN)



DETTAGLIO "B" CAVITA' 1
DENTINI DI RITENZIONE PER
CONTROPARTE TAB
(DETAIL "B" FOR CAVITY 1
TAB RETENTION TEETH GEOMETRY)



SECTION C-C
2:1



| | | | |
|------|-----------------------------|-------------------------------------|--|
| 2 | BLOCCETTO (HOUSING) | NATURALE (NATURAL) | PA 6.6 CARICATO VETRO (POLIAMIDE 6.6 GLASSFIBER FILLED) |
| 1 | CONTATTO (CONTACT) | STAGNATO (TIN-PLATED) | OTTONE (BRASS) |
| ITEM | DENOMINAZIONE (DESCRIPTION) | FINITURA / COLORE (FINISH / COLOUR) | MATERIALE (MATERIAL) |
| | | | DIAM. ISOLANTE (INS. DIA. RANGE) 3.0 max. RANGO FILO (WIRE RANGE) 0.5-1.5mm2 |

THIS DRAWING IS A CONTROLLED DOCUMENT.

DWN C.CORDOLA 02DEC2008

CHK G.TURCO 02DEC2008

APVD -

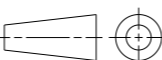
NAME



MONO SHAPE MK I TAB
SPECIAL 2-8 POS REAR LOCKING

DIMENSIONS: mm

TOLERANCES UNLESS OTHERWISE SPECIFIED:



| | | |
|--------|---|-----------|
| 0 PLC | ± | } ±0.3 |
| 1 PLC | ± | |
| 2 PLC | ± | |
| 3 PLC | ± | |
| 4 PLC | ± | |
| ANGLES | ± | } ±0° 30' |
| FINISH | ± | |

MATERIAL SEE TABLE

FINISH SEE TABLE

PRODUCT SPEC 108-20065-1 108-20065-2

APPLICATION SPEC 114-20016 114-20016-1

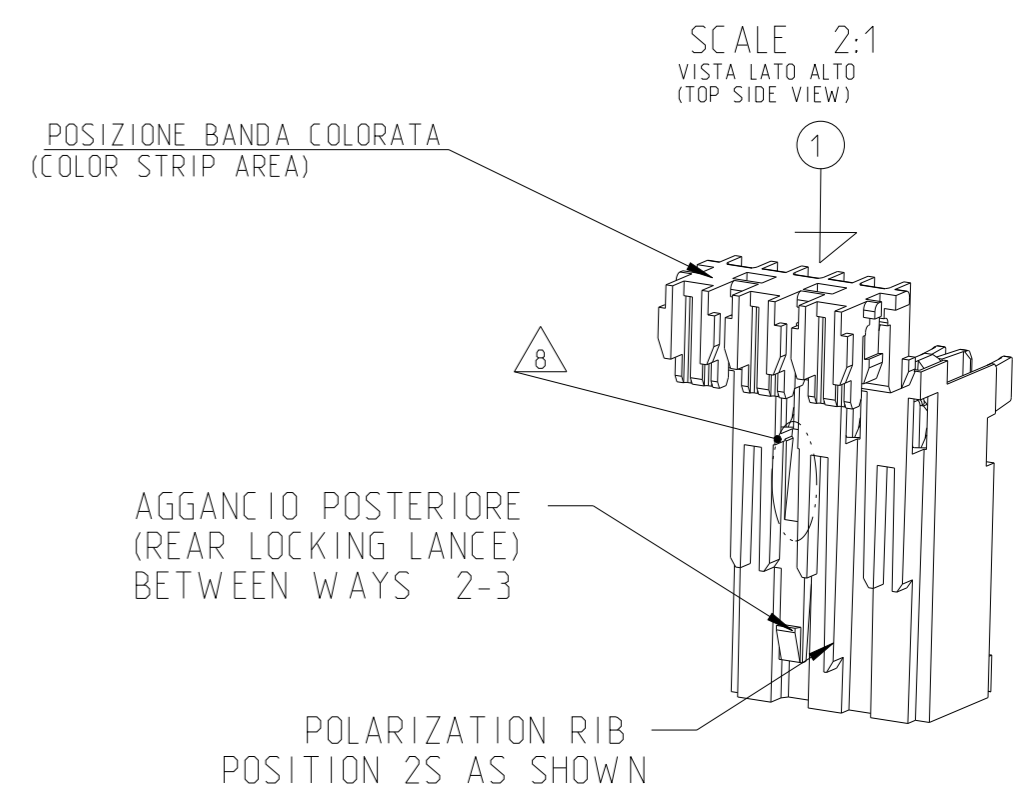
WEIGHT -

| | | | |
|------|-----------|------------|---------------|
| SIZE | CAGE CODE | DRAWING NO | RESTRICTED TO |
| A3 | 00779 | C=293491 | - |

CUSTOMER DRAWING

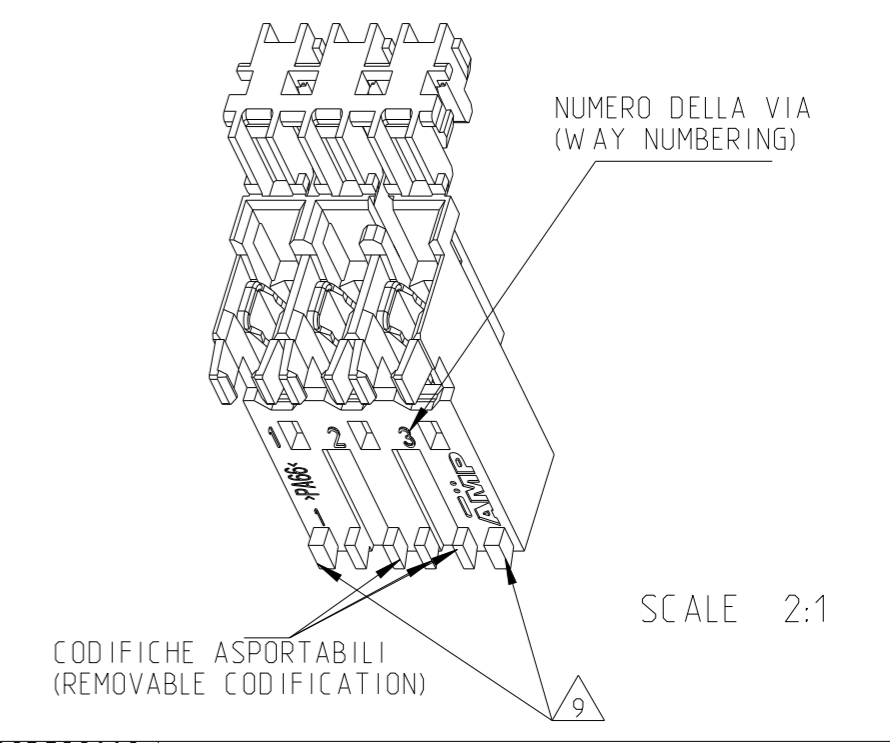
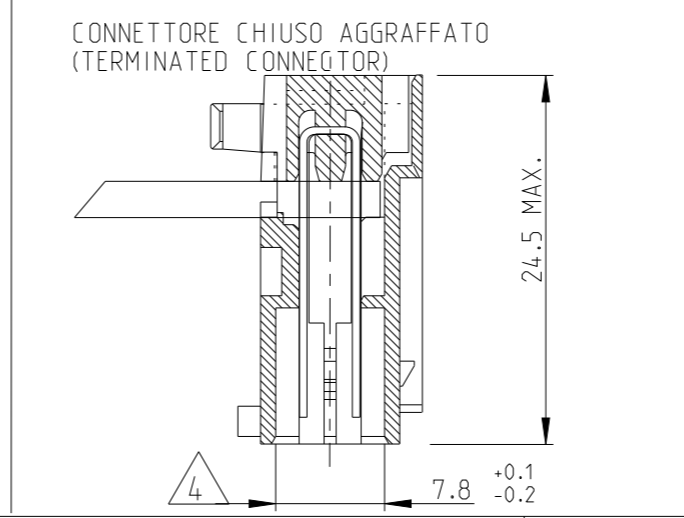
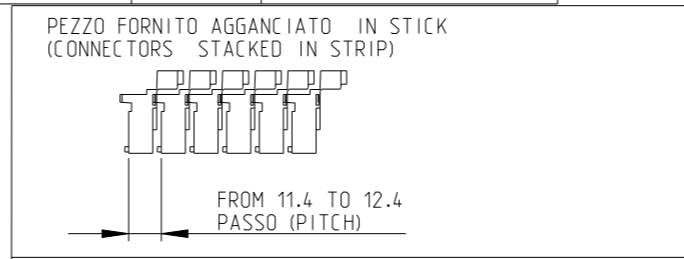
| | | | |
|-------|-------|----|-----|
| SCALE | SHEET | OF | REV |
| 2:1 | 1 | 3 | E1 |

| NUMERO DI VIE | CONFIGURAZIONE (Vista connettore dall'alto) | VERSIONE PEZZI IN VASSOIO | PART REV. | VERSIONE PEZZI SCIOLTI | PART REV. | POSIZIONE AGGANCIAMENTO (LATO POSTERIORE) | POSIZIONE POLARIZZAZIONE (LATO POSTERIORE) (SE PRESENTE) | L +0.2 -0.3 (mm) | NOTE MARCHIATURA CON BANDA COLORATA |
|---------------|---|---------------------------|-----------|--------------------------------|-----------|---|--|------------------|-------------------------------------|
| NO OF POS | CONFIGURATION (View from top side) | TRAY PACKAGING VERSION | | LOOSE PIECES PACKAGING VERSION | | LOCKING POSITION (Back side) | POSITION FOR POLARIZATION ON BACK SIDE (IF PRESENT) | | NOTE STRIP COLOUR |
| 2 | | 0-293491-2 | D | - | - | 1-2 | 1S-2D | 9.9 | - |
| 2 | | 1-293491-2 | D | - | - | 1-2 | 1S | 9.9 | - |
| 2 | | 2-293491-2 | D | - | - | 1-2 | - | 9.9 | - |
| 3 | | 0-293491-3 | D | - | - | 2-3 | 2S | 14.9 | - |
| 3 | | 1-293491-3 | D | - | - | 1-2 | 1S-2D | 14.9 | BLACK |
| 4 | | 0-293491-4 | D | - | - | 1-2, 3-4 | 1S,2D,3S | 19.9 | - |
| 4 | | 1-293491-4 | D | - | - | 1-2, 3-4 | 1S,2D | 19.9 | - |
| 8 | | 0-293491-8 | D | - | - | 1-2, 7-8 | 2D,3S,6D,7S | 39.9 | - |



NOTE/NOTES:

- 1) NUMERI DI IDENTIFICAZIONE CAVITA' (CIRCUIT IDENTIFICATION)
- 2) MARCHIO DI FABBRICA (LIBERA POSIZIONE). (TRADE MARK LOGO FREE POSITION)
- 3) L'AGGANCIAMENTO DELLA LINGUETTA E' POSIZIONATO SOLO NELLA CAVITA' N.1 (VEDI ANCHE NOTA 5) ED E' PRESENTE SOLO PER I CONNETTORI DI 2, 3 E 4 VIE. (THE RETENTION TOOTH IS LOCATED ONLY IN CAVITY N.1 (SEE ALSO NOTE 5) AND IS PRESENT ONLY FOR CONNECTORS WITH 2, 3 AND 4 POSITIONS).
- 4) DIVENTA 6.5 PER LA CAVITA' N. 1 SUI CONNETTORI (BECOMES 6.5. FOR THE CAVITY N.1)
- 5) GEOMETRIA ALTERNATIVA E OPZIONALE DEL DENTINO DI AGGANCIAMENTO (ALTERNATIVE AND OPTIONAL SHAPE FOR RETENTION TOOTH)
- 6) STATO DI FORNITURA: CONFEZIONAMENTO IN "VASSOI + SCATOLA" (PACKAGING: "ON TRAY PLUS CARTON BOX")
- 7) PRELIMINARY- PART NOT YEST RELEASED FOR PRODUCTION
- 8) SLIDE PROFILE (WEDGE SHAPE SLOT) ON THE AREA ABOVE THE LOCKING LANCE GEOMERTY TO FACILITATE UN-CHAINING PROCESS.
- 9) DIFFERENT CODING RIB GEOMETRY AT BOTH END. WIDTH OF CODING RIB REDUCED TO 1.1 mm FOR ALL REAR LOCKING VERSIONS
- 10) OBSOLETE
- 11) WITHOUT 2 WIRE RETENTION HOOKS ON 2 ENDS. SEE SHEET 3
- 12) SPECIAL CIRCUITE INDENTIFICATION, WHICH IS OPPOSITE FROM STANDARD ONE. SEE SHEET 3



THIS DRAWING IS A CONTROLLED DOCUMENT.

DWN C.CORDOLA 02DEC2008
 CHK G.TURCO 02DEC2008

APVD - -

PRODUCT SPEC 108-20065-1, 108-20065-2
 APPLICATION SPEC 114-20016, 114-20016-1

NAME MONO SHAPE MK I TAB SPECIAL 2-8 POS REAR LOCKING

SIZE A3 CAGE CODE 00779 DRAWING NO C-293491 RESTRICTED TO -

MATERIAL SEE TABLE FINISH SEE TABLE WEIGHT -

CUSTOMER DRAWING SCALE 2:1 SHEET 2 OF 3 REV E1

THIS DRAWING IS UNPUBLISHED.

RELEASED FOR PUBLICATION

2008

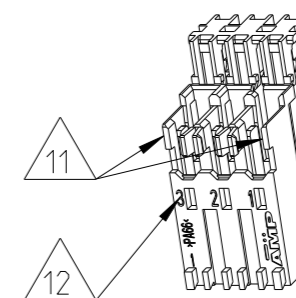
© COPYRIGHT 2008

ALL RIGHTS RESERVED.

| LOC | DIST | REVISIONS | | | | | |
|-----|------|-----------|-----|--------------|------|-----|------|
| | | P | LTR | DESCRIPTION | DATE | DWN | APVD |
| 1 | - | | | SEE SHEET 11 | | | |
| | | | | | | | |
| | | | | | | | |

PA GF, UL-VO GWEPT 750 °C NO FLAME, NATURAL TWO ALTERNATIVE RESINS

| NO OF POS | CONFIGURATION (View from top side) | TRAY PACKAGING VERSION | PART REV | LOOSE PIECES PACKAGING VERSION | PART REV | LOCKING POSITION (Back side) | POSITION FOR POLARIZATION ON BACK SIDE (IF PRESENT) | L +0.2 -0.3 (mm) | NOTE STRIP COLOUR |
|-----------|------------------------------------|------------------------|----------|--------------------------------|----------|------------------------------|---|------------------|-------------------|
| 2 | | 2297762-2 | D | - | - | 1-2 | 1S-2D | 9.9 | - |
| | | 1-2297762-2 | 1 | - | - | 1-2 | 1S | 9.9 | - |
| 3 | | 2297762-3 | 1 | - | - | 1-2 | 1S-2D | 14.9 | - |
| 3 | | 1-2297762-3 | D | - | - | 1-2 | 1D-2S-3D | 14.9 | - |
| 4 | | 2297762-4 | D | - | - | 1-2, 3-4 | 1D-2S-3D | 19.9 | - |
| 5 | | 2297762-5 | 1 | - | - | 2-3, 4-5 | 2S-4S | 24.9 | - |
| 8 | | 2297762-8 | 1 | - | - | TBD | TBD | 39.9 | - |



| NUMERO DI VIE | CONFIGURAZIONE (Vista connettore dall'alto) | VERSIONE PEZZI IN VASSOIO | PART REV. | VERSIONE PEZZI SCIOLTI | PART REV | POSIZIONE AGGANCI O (LATO POSTERIORE) | POSIZIONE POLARIZZAZIONE (LATO POSTERIORE) (SE PRESENTE) | L +0.2 -0.3 (mm) | NOTE MARCHIATURA CON BANDA COLORATA | P/N STATUS |
|---------------|---|---------------------------|-----------|--------------------------------|----------|---------------------------------------|--|------------------|-------------------------------------|---|
| NO OF POS | CONFIGURATION (View from top side) | TRAY PACKAGING VERSION | | LOOSE PIECES PACKAGING VERSION | | LOCKING POSITION (Back side) | POSITION FOR POLARIZATION ON BACK SIDE (IF PRESENT) | | NOTE STRIP COLOUR | |
| 4 | | 1-2469935-4 | 1 | - | - | 1-2, 3-4 | 1S,2D | 19.9 | - | PRELIMINARY. NOT COMPLETE VALIDATION TEST |

| | | | | | |
|--|--|--|-----------|------------------------------|---------------------|
| THIS DRAWING IS A CONTROLLED DOCUMENT. | | DWN | 02DEC2008 | | TE Connectivity |
| | | CHK | 02DEC2008 | | |
| | | APVD | | | |
| | | PRODUCT SPEC | | | |
| DIMENSIONS: mm | | TOLERANCES UNLESS OTHERWISE SPECIFIED: | | NAME | |
| | | 0 PLC ± | | MONO SHAPE MK I TAB | |
| | | 1 PLC ± | | SPECIAL 2-8 POS REAR LOCKING | |
| | | 2 PLC ± | | - | |
| | | 3 PLC ± | | SIZE | |
| | | 4 PLC ± | | CAGE CODE | |
| | | ANGLES ± ±0° 30' | | DRAWING NO | |
| MATERIAL SEE TABLE | | FINISH SEE TABLE | | RESTRICTED TO | |
| | | WEIGHT - | | - | |
| CUSTOMER DRAWING | | SCALE 2:1 | | SHEET 3 OF 3 | |
| | | REV E1 | | | |