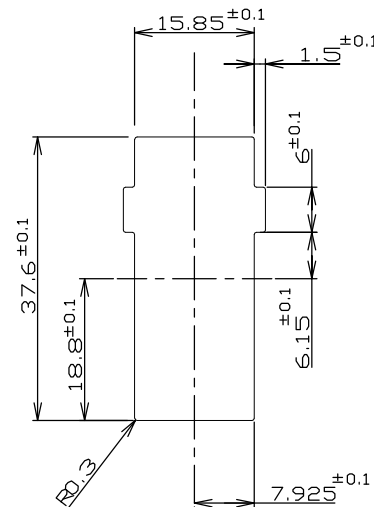
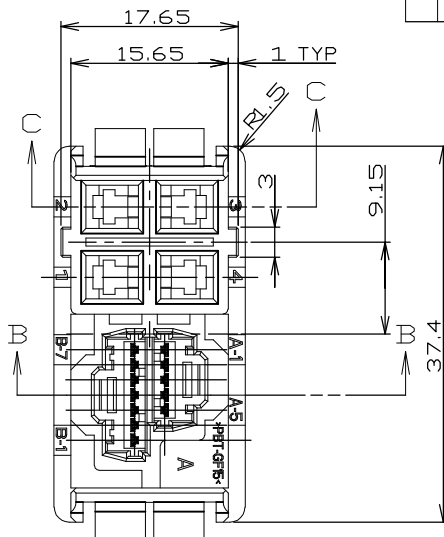
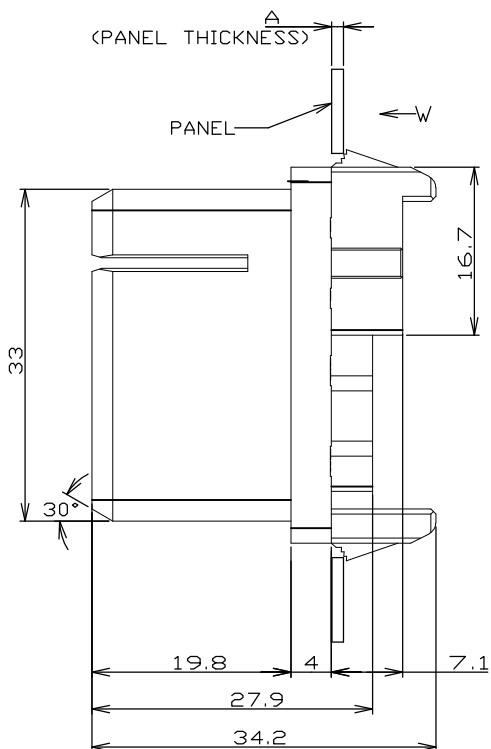
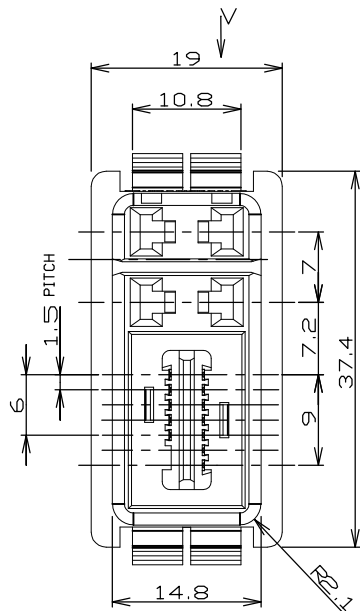
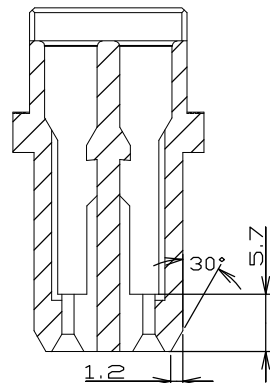
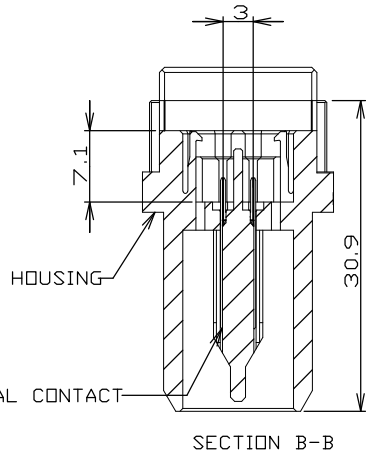


P	LTR	DESCRIPTION	DATE	DWN	APVD
CI		REVISED ECR-07-028230	26NOV07	A.L	S.Y

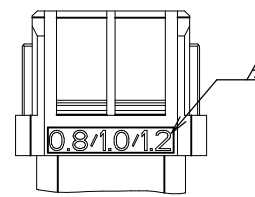


FINISH	AVG	POWER CONTACT	
		STRIP	LOOSE PIECE
GOLD	#16-20	179316-4	
PLT	#20-24	179317-4	
TIN	#16-20	179316-2	
	#20-24	179317-2	
PLT	#16-20		

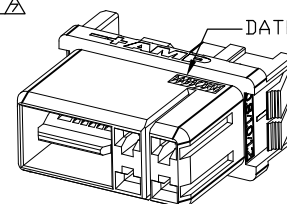
TABLE-1



SECTION C-C



VIEW V



ISOMETRIC VIEW SCALE: 6:5

VIEW W PANEL CUT DIMENSIONS

NOTES:
 ① USE WITH MT REC. CONN P/N: X-353293-X
 CRIMP HSG P/N: X-353908-X
 CRIMP CNT P/N: 353907-1
 353918-1(L/P)

2. APPLIED POWER CONTACT P/N: SEE TABLE-1
 ③ MATERIAL:
 HOUSING: PBT G.F. UL94V-0 COLOR: BLACK
 SIGNAL CONTACT: BRASS
 FINISH:
 CONTACT: NICKEL UNDERPLATE ALL OVER
 CONTACT AREA: GOLD PLATE.
 POST AREA: MATTIE TIN PLATE.
 ④ NUMBER OF POWER CONTACT (UNASSEMBLED)
 ⑤ NUMBER OF SIGNAL CONTACT (ASSEMBLED)
 ⑥ MATING COUNTER P/N: X-292241-X
 ⑦ APPLICABLE PANEL THICKNESS ID MARK.
 ⑧ LOCATION OF DATE CODE: AABBCD(N)
 (AA: YEAR, BB: WEEK, C: DAY OF WEEK, D: DAYTIME, N: NIGHT)

THIS DRAWING IS A CONTROLLED DOCUMENT FOR TYCO ELECTRONICS CORPORATION
 IT IS SUBJECT TO CHANGE AND THE CONTROLLING ENGINEERING ORGANIZATION
 SHOULD BE CONTACTED FOR THE LATEST REVISION.

DIMENSIONS	TOLERANCES UNLESS OTHERWISE SPECIFIED:
MM	0 PLC ± 0.25
	1 PLC ± 0.25
	2 PLC ± 0.25
	3 PLC ± 0.25
	4 PLC ± 0.25
	ANGLES ± 3°
MATERIAL	FINISH
SEE NOTE ③	SEE NOTE ④

DWN	J. JIANG	05FEB03
CHK	S. YAO	05FEB03
APVD	T. SASAKI	05FEB03
PRODUCT SPEC	108-60027	
APPLICATION SPEC	114-5182	
WEIGHT		
CUSTOMER DRAWING		

Tyco Electronics Corporation Shanghai, PRC		NAME: REC ASS'Y FOR 1.5 mm PITCH MINI CT SNAP-FIT HYBRID DRAWER CONNECTOR (WITHOUT GROUND CIRCUIT)	
SIZE	A3	CAGE CODE	00779
DRAWING NO	C=	292242	RESTRICTED TO
SCALE	2:1	SHEET	1 OF 1
REV	C1		