

LOC	DIST	REVISIONS					
FB	00	P	LTR	DESCRIPTION	DATE	DWN	APVD
		0		RELEASED FB00-0013-03	23JAN03	J.J	T.S

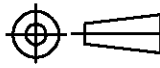

AMP CT CONN POST HDR ASS'Y (STD-V DIP) TUBE PACKING	12	1-292169-2	15	1-292161-2	NATURAL (WHITE)
	11	1- ↑ -1	20	1- ↑ -1	
	10	1- -0	20	1- -0	
	9	-9	20	-9	
	8	-8	25	-8	
	7	-7	30	-7	
	6	-6	30	-6	
	5	-5	40	-5	
	4	-4	45	-4	
	3	-3	60	-2	
	2	292169-2	80	292161-2	
NAME	POS	IN TUBE P/N	QTY'S	CT POST HDR ASS'Y(STD-V DIP)	COLOR

NOTE: 1. TUBE P/N 9-720996-9 (P.V.C)

THIS DRAWING IS UNPUBLISHED.

ALL RIGHTS RESERVED.

© COPYRIGHT - BY TYCO ELECTRONICS CORPORATION.

DIMENSIONS: MM TOLERANCES UNLESS OTHERWISE SPECIFIED: 0 PLC ± - 1 PLC ± - 2 PLC ± - 3 PLC ± - 4 PLC ± - ANGLES ± - 	DWN J.JIANG 23JAN03	MATERIAL	FINISH
	CHK S.YAO 23JAN03	 Tyco Electronics Corporation Shanghai, P.R.China,200233	
	APVD T.SASAKI 23JAN03	NAME TUBE PACKING AMP CT CONN POST HDR ASS'Y (STD-V DIP)	
	PRODUCT SPEC 108-60016	SIZE A4	CAGE CODE 00779
APPLICATION SPEC	WEIGHT	RESTRICTED TO -	
CUSTOMER DRAWING		SCALE //	SHEET 1 OF 1 REV 0