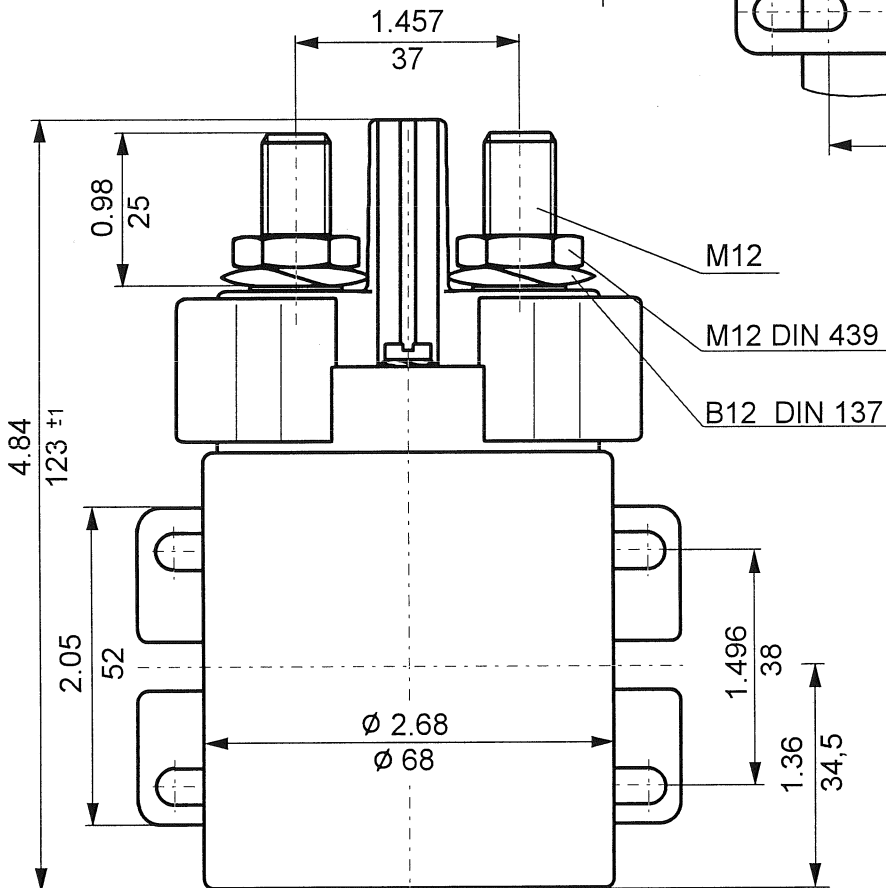
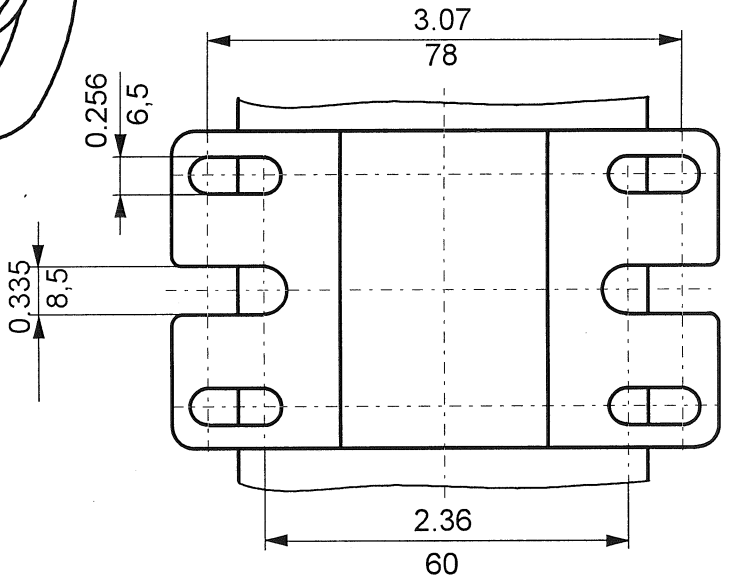
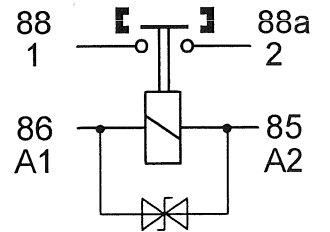


MAGNETIC BLOWOUTS  
 OPTIONAL

MOUNTING DIMENSION



CIRCUIT



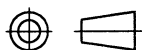
DIMENSIONAL TOLERANCES

3 PLACE DECIMAL  $\pm 0.010$   
 2 PLACE DECIMAL  $\pm 0.03$   
 ANGULAR  $\pm 0^{\circ}30'$

ORDER-NO.

29.511.01 WITHOUT SUPPRESSION  
 29.511.11 WITH SUPPRESSION

Third Angle Projection



2000	Date	Name	Inch mm	Scale /	 ELEKTROTECHNIK D-72218 Wildberg
Design	24.10.	Bo.			
Check	24.10.	fr.	General Tolerances DIN 7168 m ISO 2768		
Appro					

Drawing No. $\hat{=}$ Order No.	29.511.01
	29.511.11

