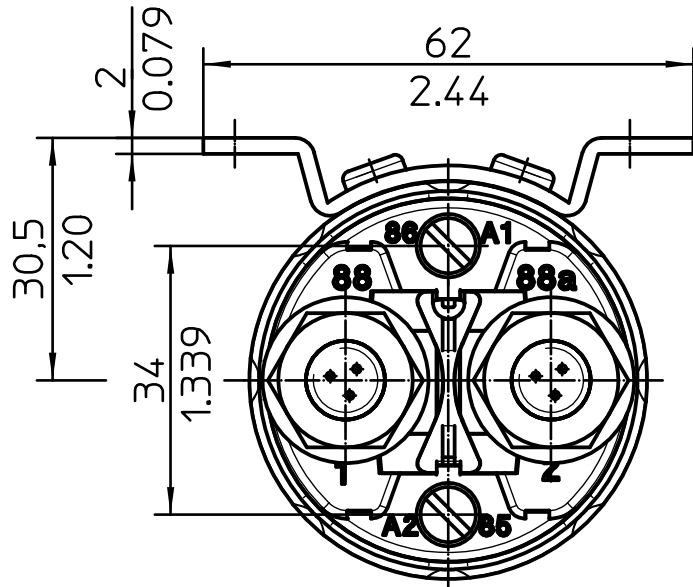
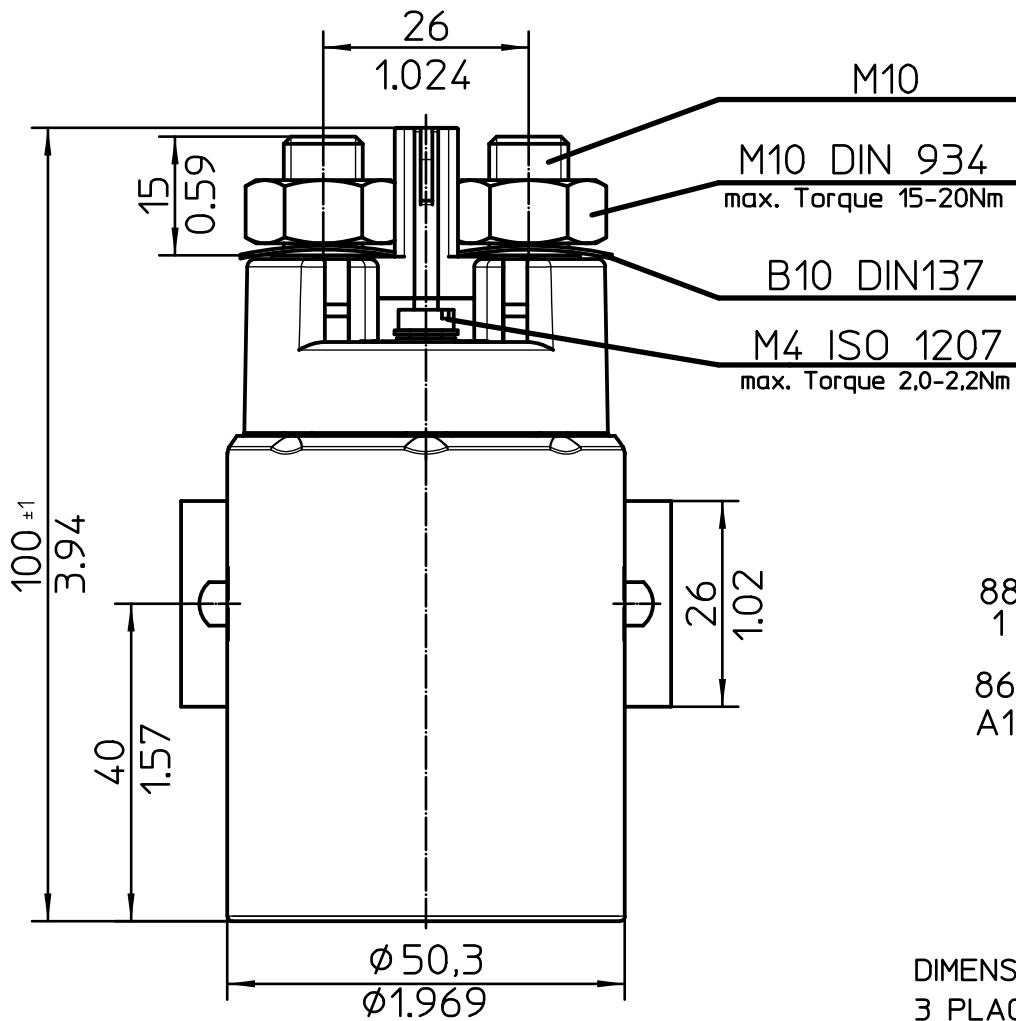
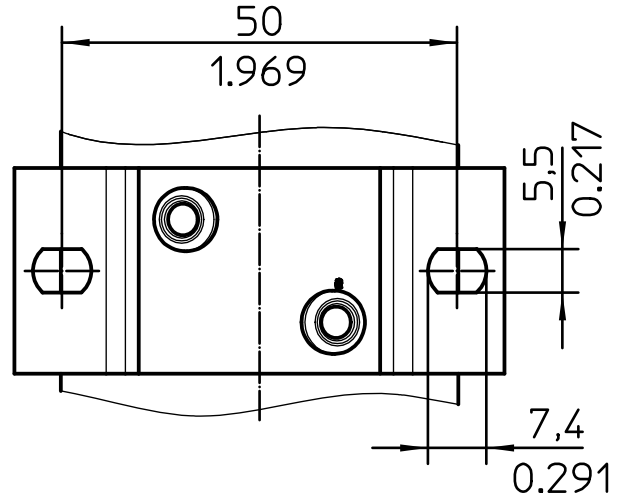


300AMP. POWER RELAY (12VDC)

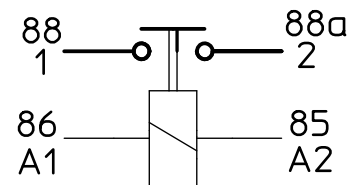
STANDARD SIDE MOUNTING ENVIRONMENTALLY SEALED



MOUNTING DIMENSION

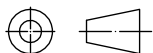


CIRCUIT



DIMENSIONAL TOLERANCES
 3 PLACE DECIMAL ±0.010
 2 PLACE DECIMAL ±0.03
 ANGULAR ±0°30'

Third Angle Projection



Drawn	24.02.2015	Mielk	mm Inch	Scale 1:1		Drawing No: 29-311-01
Check	05.08.2015	Mielk	General Tolerances			NSN.:

