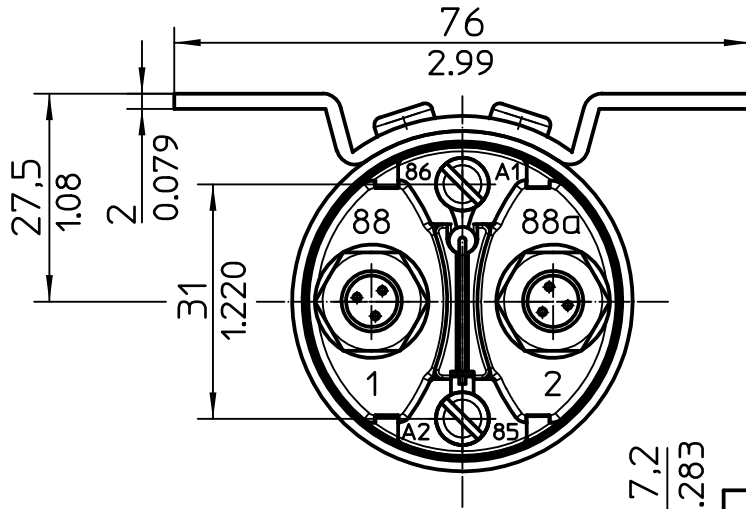
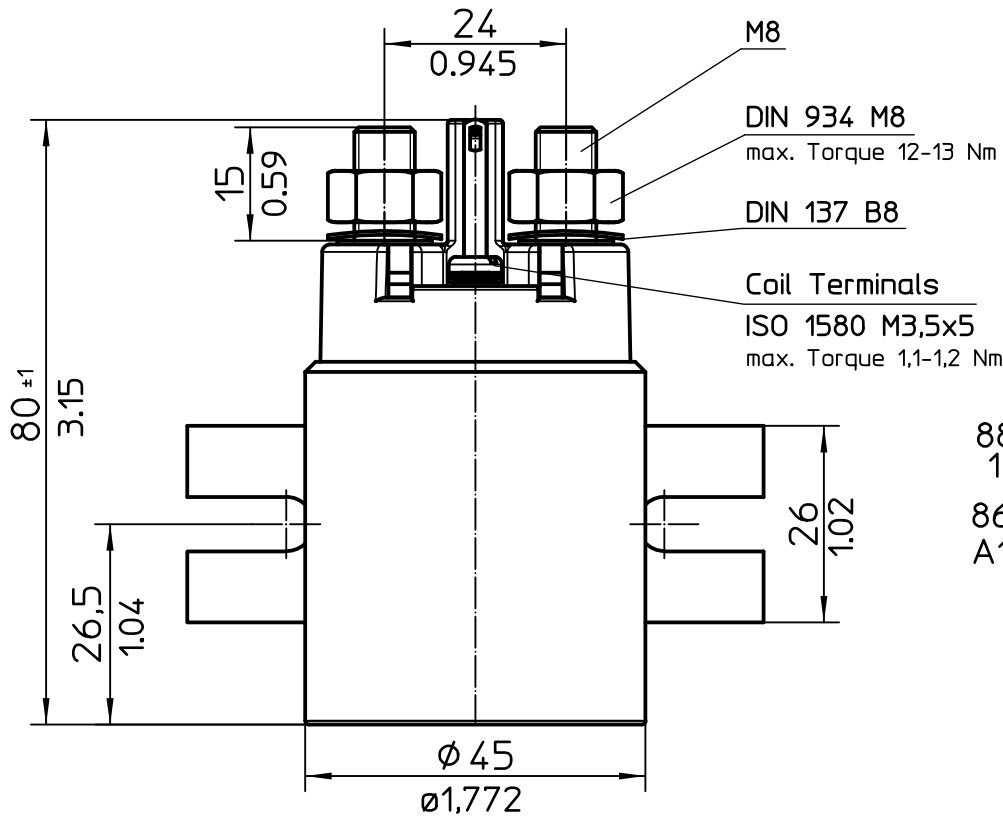
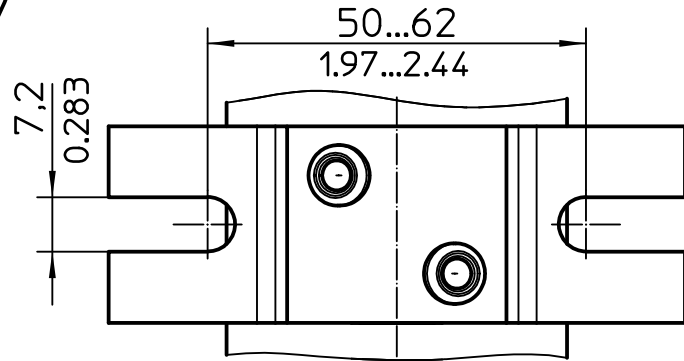


120AMP POWER RELAY (28VDC)

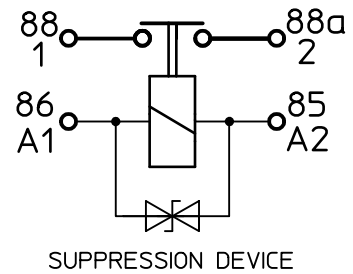
LONG FORM SIDE MOUNTING ENVIRONMENTALLY SEALED



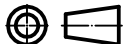
Mounting Dimensions



Circuit



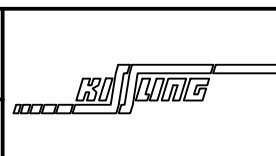
Third Angle Projection



DIMENSIONAL TOLERANCES
 3 PLACE DECIMAL +/-0.010
 2 PLACE DECIMAL +/-0.03
 ANGULAR +/-0°30'

	Date	Name
Drawn	16.02.2015	Seege
Check	23.03.2015	Grind

mm inch	Scale 1:1
General Tolerances DIN ISO 2768 cL	



Drawing No:	29-114-12
NSN:	

