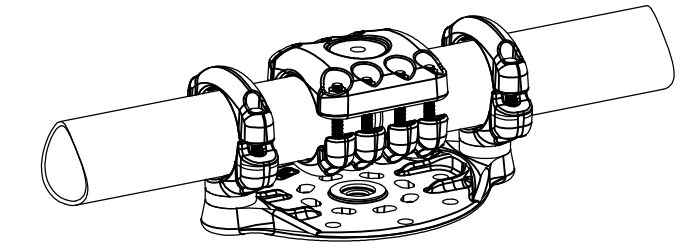
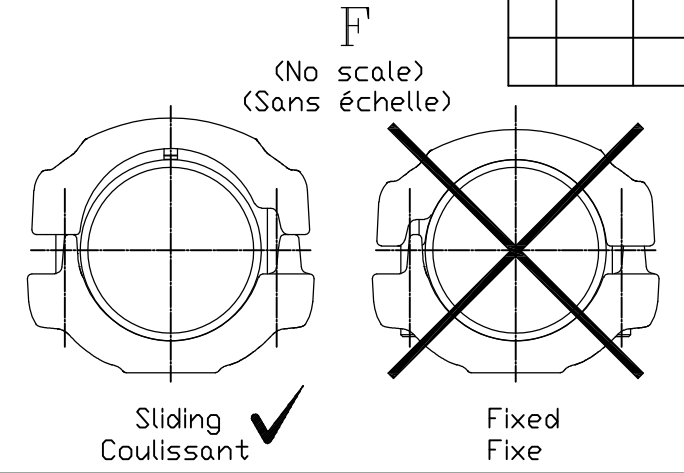
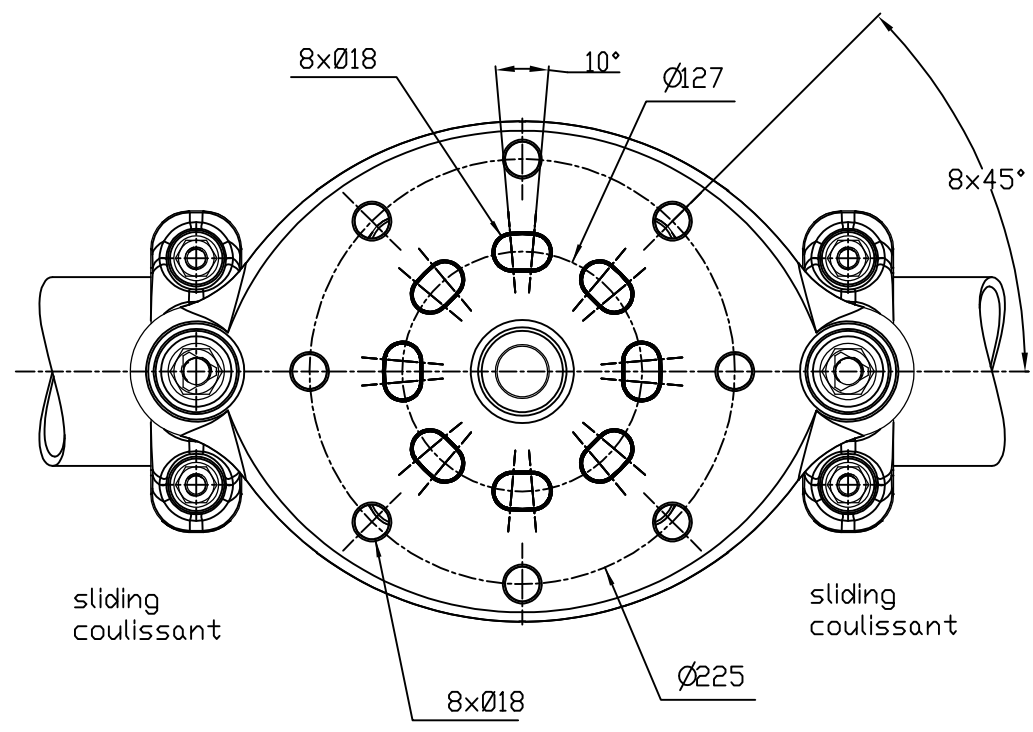


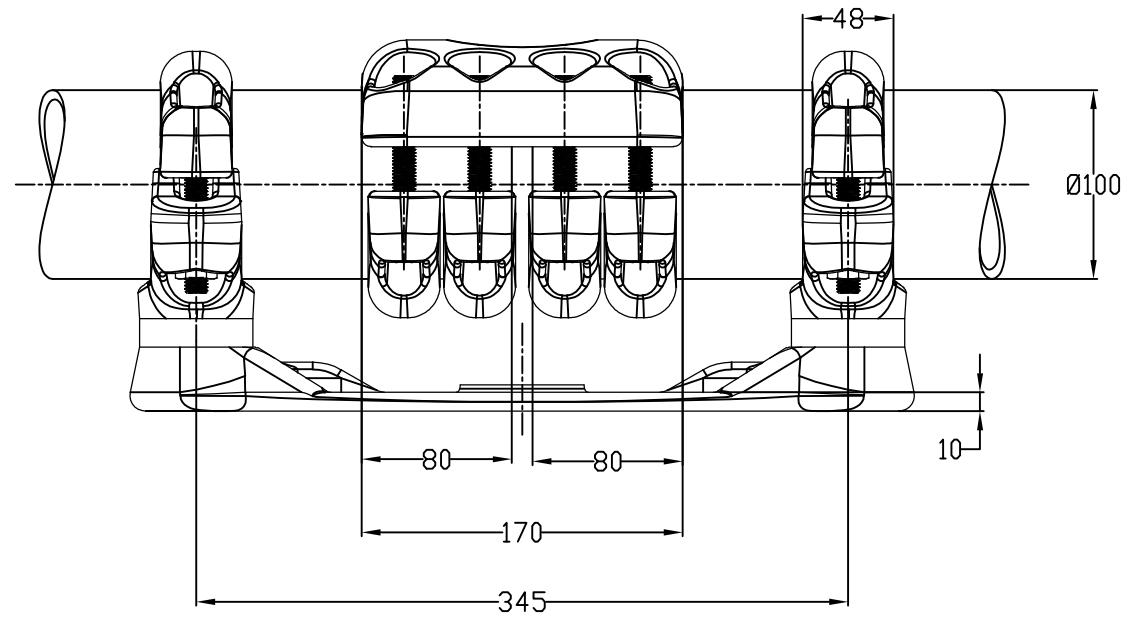
THIS DRAWING IS UNPUBLISHED.
 DIFFUSION RESTREINTE
 © COPYRIGHT 2011 by Tyco Electronics Corporation
 ALL RIGHTS RESERVED.
 TOUS DROITS RESERVES

RELEASED FOR PUBLICATION
 LIBRE A LA DIFFUSION
 2011

LOC	DIST	P	LTR REV	DESCRIPTION MODIFICATIONS	DATE	DWN DESS	APVD APPR
-	-	A		CREATION	30-Jun-15	GL	-

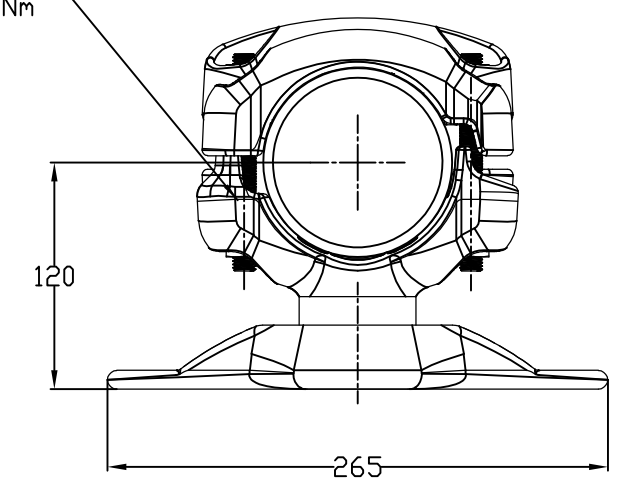


No scale
 Sans échelle




M12 Alu alloy bolts: 36Nm
 Boulons M12 alliage d'alu: 36Nm

F



ITEM:

THIS DRAWING IS A CONTROLLED DOCUMENT. <small>CE PLAN EST UN DOCUMENT CONTRÔLÉ PAR TYCO ELECTRONICS CORPORATION IL EST SUSCEPTIBLE D'ÊTRE RÉVISÉ. POUR OBTENIR LA DERNIÈRE RÉVISION, CONTACTER LE SERVICE TECHNIQUE DE TYCO ELECTRONICS SIMEL SAS, 21220 GEVREY-CHAMBERTIN, FRANCE.</small>		DWN /DESSINE LAFORGE	30-Jun-15	 TE connectivity SIMEL PRODUCTS	
DIMENSIONS: mm		CHK/VERIFIE -	APVD/APPROUVE -		
TOLERANCES UNLESS OTHERWISE SPECIFIED PER TOLERANCES NON SPECIFIEES SELON : -		PRODUCT SPEC SPEC. PRODUIT 108-69091-001	APPLICATION SPEC SPEC. APPLICATION -	SLIDING JUNCTION ON BPI JONCTION COULISSANTE SUR ISO 5 TJC 88 P5-P225 T100 H120	
MATERIAL MATIERE	FINISH FINITION	APPROX. WEIGHT MASSE APPROX.	8.34kg	SIZE FORMAT A3	CAGE CODE 00779
		DRAWING NO No PLAN C=2845499	RESTRICTED TO RESERVE A -	UNIQUEMENT POUR REFERENCE	
CUSTOMER DRAWING /PLAN CLIENT		SCALE ECHELLE	1/4	SHEET FEUILLE	1 OF DE 1
		REV	A		